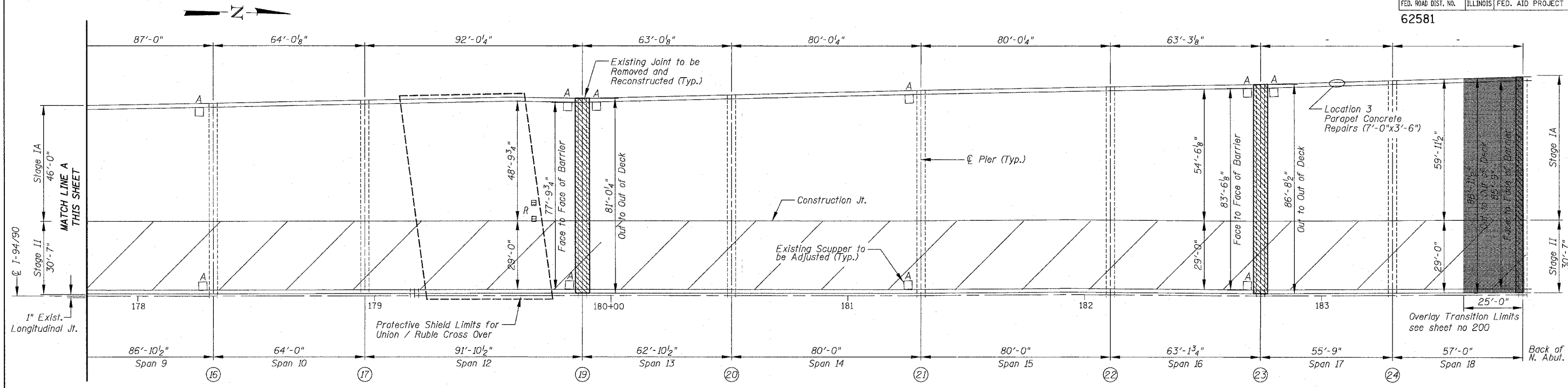
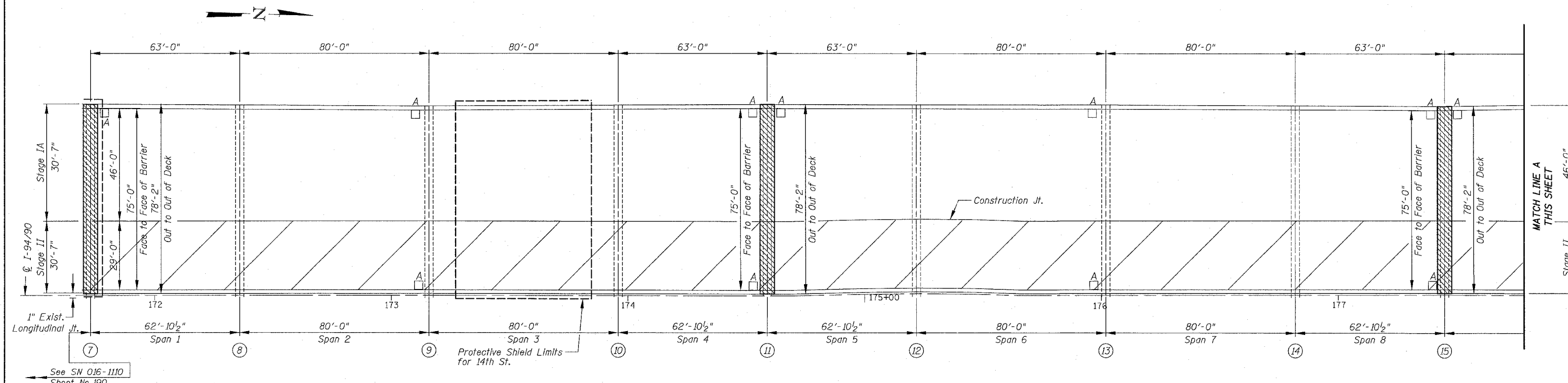


F.A.I.	SECTION	COUNTY	TOTAL SHEETS	SHEET NO.
94/90	2003-0291	COOK	344	191
STA.	TO STA.			
FED. ROAD DIST. NO.	ILLINOIS	FED. AID PROJECT		
62581				



SN 016-0137 PARTIAL DECK PLAN



SN 016-0137 PARTIAL DECK PLAN

BOWMAN, BARRETT & ASSOCIATES INC.
 CONSULTING ENGINEERS
 Chicago, Illinois
 312.228.0100
 www.bbainc.com

For Notes see Sheet 174, For Legend see Sheet 159

REVISIONS	
NAME	DATE

ILLINOIS DEPARTMENT OF TRANSPORTATION
 F.A.I. 94/90 (DAN RYAN EXPRESSWAY)
 SB DAN RYAN ELEVATED BRIDGE
 REPAIR FROM 15TH TO 28TH STREETS
 PARTIAL DECK PLAN
 SN 016-0137

SCALE: 1"=20'
 DATE: 5/25/2006
 DRAWN BY: BDC
 CHECKED BY: BLU

5/25/2006 7:36:04 PM
 I:\66000\BRIDGE\2003\2003-0291\SN 016-0137-CP101.dgn