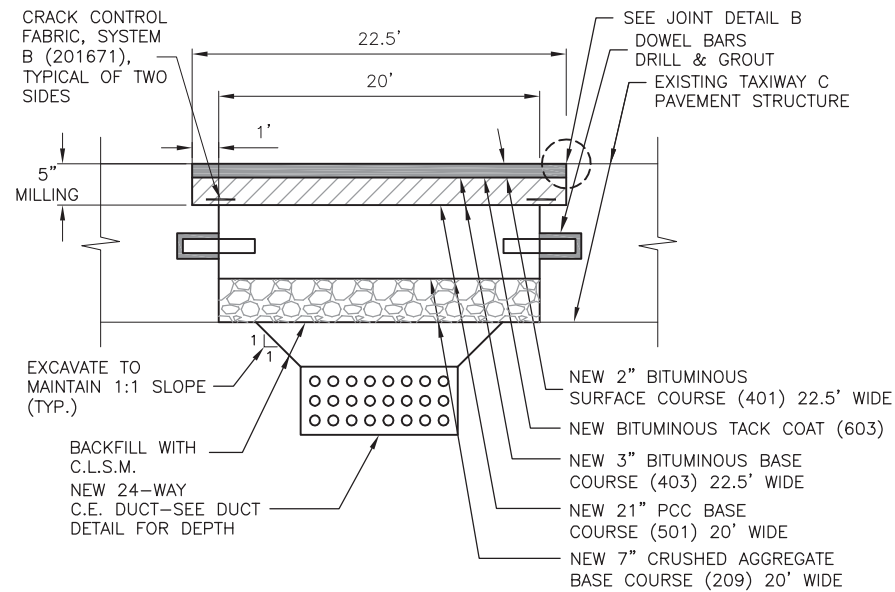
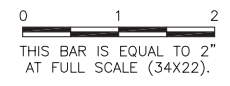
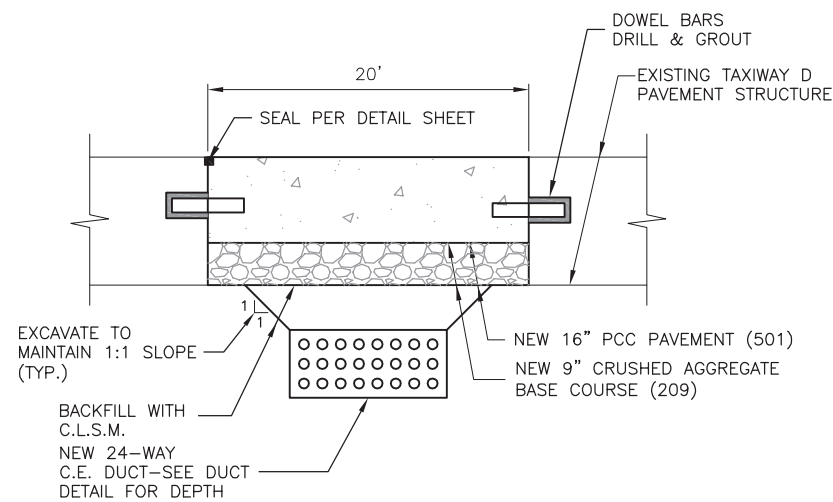


UN051

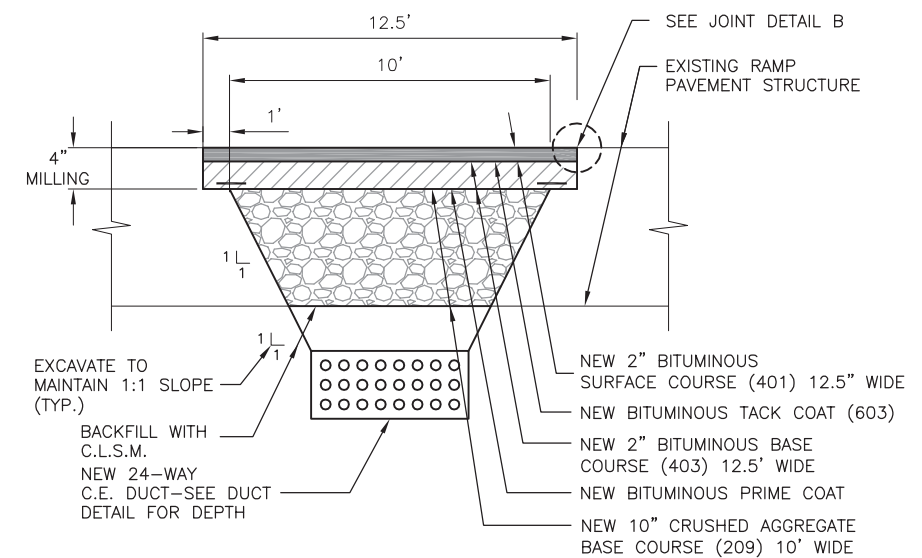
REVISIONS		
NUMBER	BY	DATE



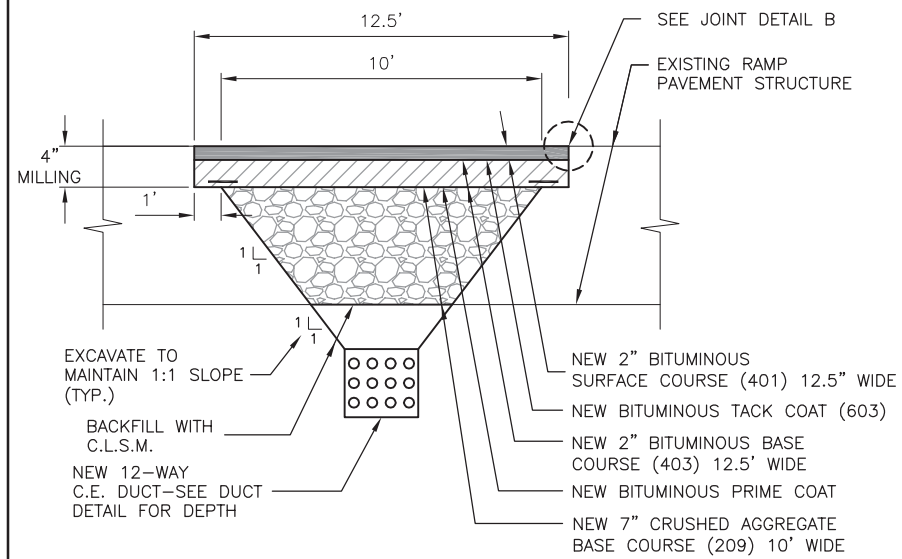
(A) TAXIWAY C
 REMOVE & REPLACE
 PCC & HMA PAVEMENT
 N.T.S.



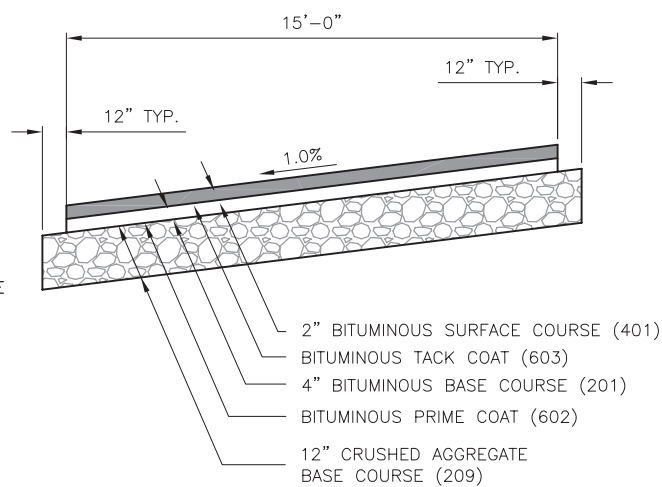
(B) TAXIWAY D
 REMOVE & REPLACE
 PCC PAVEMENT
 N.T.S.



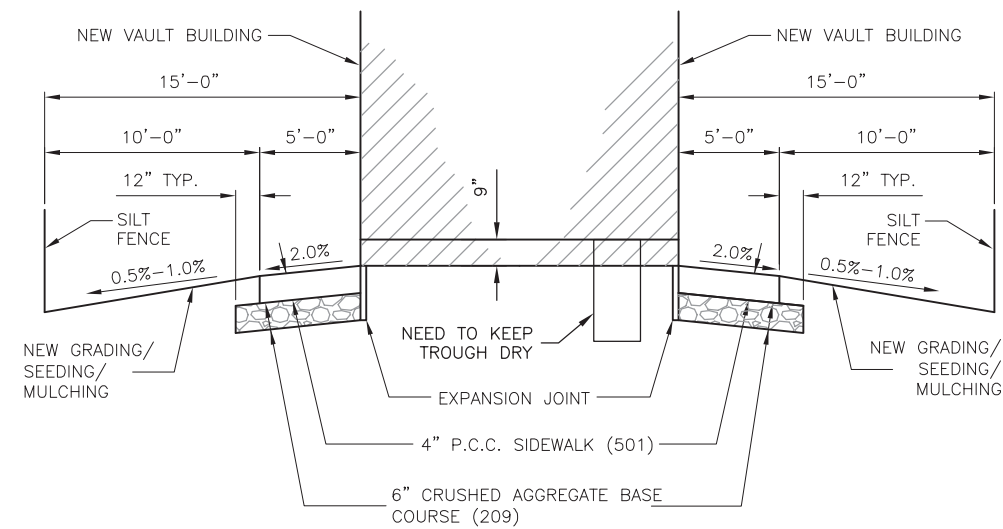
(D,C) RAMP
 REMOVE & REPLACE
 BIT PAVEMENT
 TYPE A - CC, TYPE B - DD
 N.T.S.



(E) RAMP
 REMOVE & REPLACE
 BITUMINOUS PAVEMENT
 N.T.S.



(F) NEW ROADWAY
 N.T.S.



(G) TYPICAL SECTION
 N.T.S.

WILLARD AIRPORT
UNIVERSITY OF ILLINOIS
NEW AIRFIELD LIGHTING VAULT
TYPICAL SECTIONS

© Copyright CMT, Inc.
CMT
 CRAWFORD, MURPHY & TILLY, INC.
 CONSULTING ENGINEERS
 License No. 184-000613

DESIGN BY:	KLB
DRAWN BY:	CMT
CHECKED BY:	CBG
APPROVED BY:	CET
DATE:	APRIL 20, 2012
JOB No:	11059-03
IL. PROJ. NO. CMI-4100 AIP PROJ. NO. 3-17-0016-XX	
SHEET 33 OF 60 SHEETS	