

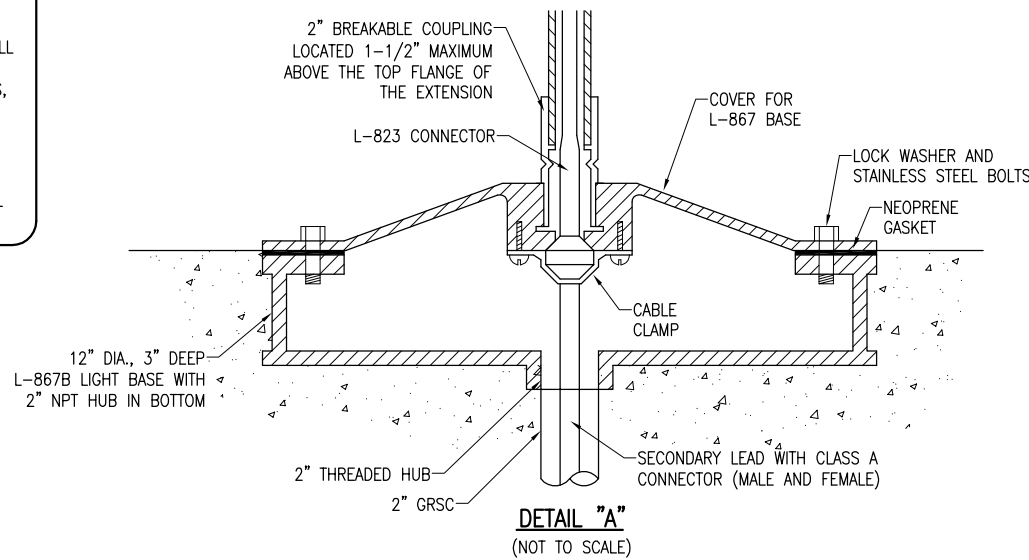
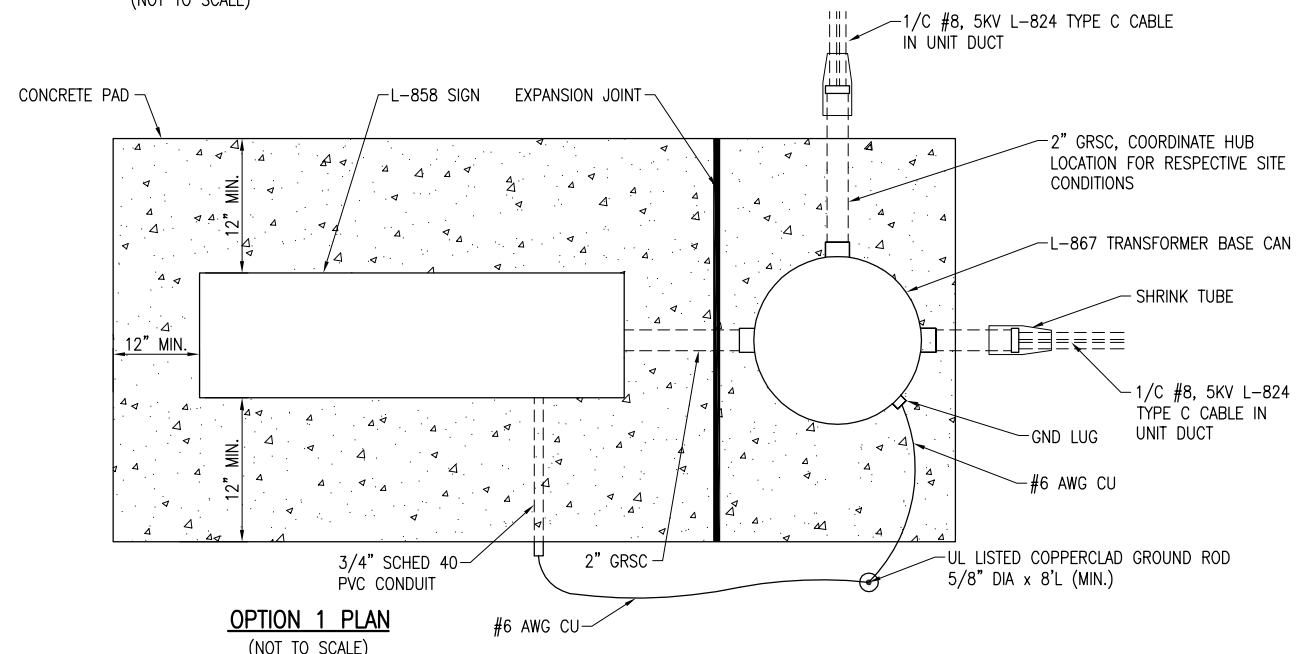
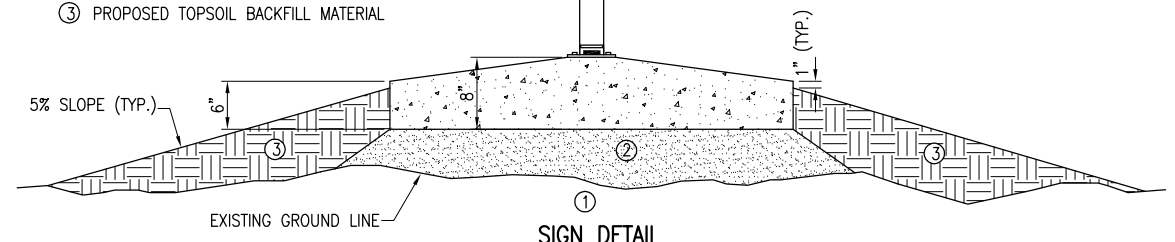
NOTES: L-858 SIGN
SEE LIGHTING LAYOUT SHEET(S) FOR SIGN LEGEND, LOCATION, TYPE, SIZE, STYLE, AND CLASS.
NUMBER AND SPACING OF LEGS AS PER MANUFACTURER'S REQUIREMENTS.

PER FAA AC 150/5340-30F DESIGN AND INSTALLATION DETAILS FOR AIRPORT VISUAL AIDS, A LIGHT BASE GROUND MUST BE INSTALLED AT EACH LIGHT FIXTURE. A LIGHT BASE GROUND SHALL BE INSTALLED AT EACH STAKE MOUNTED LIGHT AND EACH TRANSFORMER BASE/LIGHT CAN ASSOCIATED WITH RUNWAY LIGHTS, TAXIWAY LIGHTS, AND LIGHTED TAXI GUIDANCE SIGNS. THE LIGHT BASE GROUND SHALL BE A #6 AWG BARE COPPER CONDUCTOR CONNECTED TO THE GROUND LUG ON THE RESPECTIVE L-867 TRANSFORMER BASE/LIGHT CAN, TAXI SIGN FRAME, OR MOUNTING STAKE AND A 3/8-INCH DIAMETER BY 8-FOOT LONG (MINIMUM) UL LISTED COPPER CLAD GROUND ROD.

GENERAL NOTES

- SEE LIGHTING LAYOUT SHEET FOR SIGN LEGEND, LOCATION, TYPE, SIZE, STYLE, AND CLASS.

- EXISTING SOD TO BE STRIPPED AND REMOVED
- SAND BACKFILL, VARIABLE DEPTH
- PROPOSED TOPSOIL BACKFILL MATERIAL



REVISION	DATE

SOUTHERN ILLINOIS AIRPORT
MURPHYSBORO / CARBONDALE, ILLINOIS

SIA
SOUTHERN ILLINOIS AIRPORT

PROJ.: MDH-4173

Hanson Project No.	11A0037D_0001
Filename	E-502.DWG
Scale	NONE
Date	04/20/2012
LAYOUT	JSL 03/27/2012
DRAWN	CWS 03/27/2012
REVIEWED	CAH 04/16/2012

HANSON
Hanson Professional Services Inc.
1000 New River Road
Murphysboro, Illinois 62966
Offices Nationwide

CONSTRUCT PERIMETER ROAD TO SUPPORT ARFF/SRE BUILDING

ELECTRICAL DETAILS SHEET 2