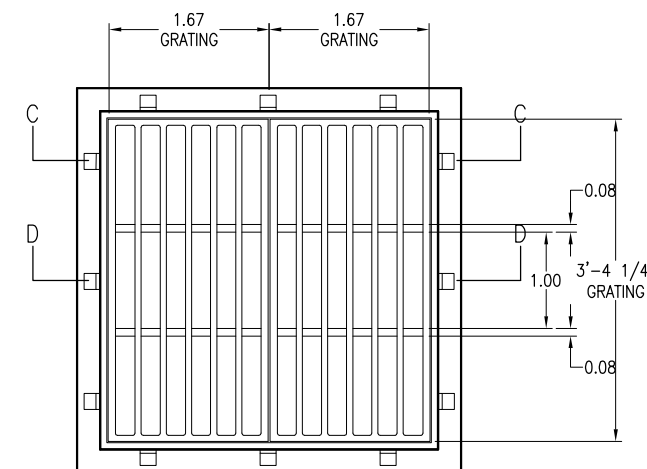
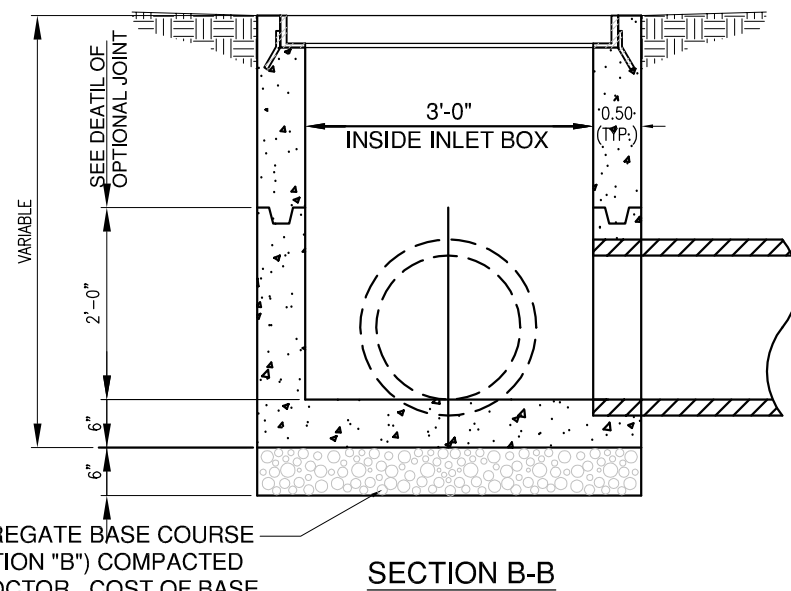
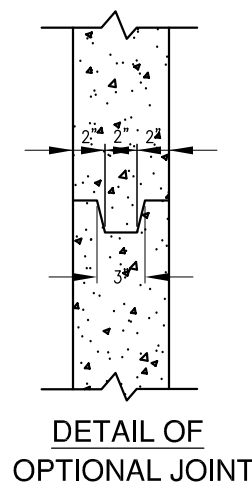


INLET BOX STANDARD 542546



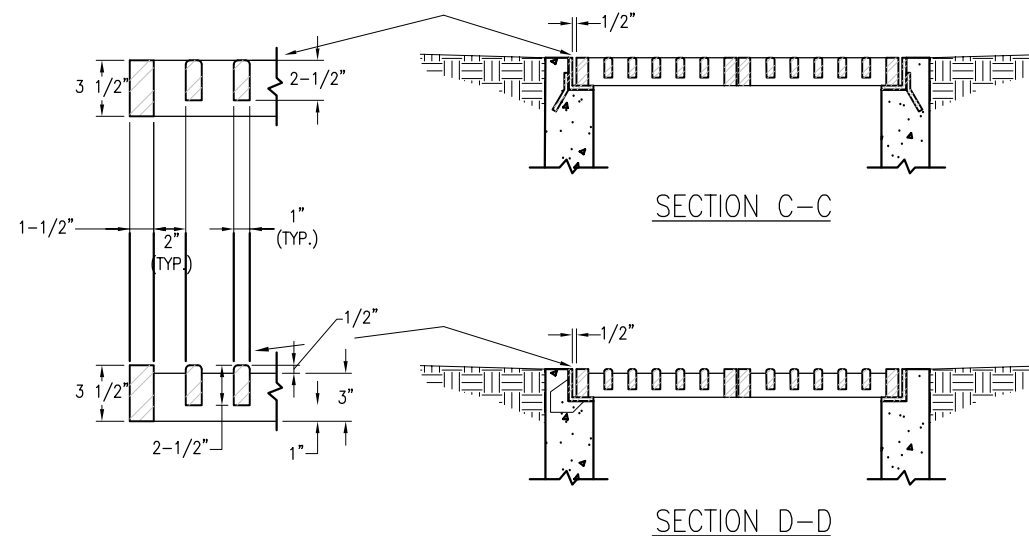
CAST FRAME & GRATE

(NEENAH R-3807, OR APPROVED EQUAL)



6" CRUSHED AGGREGATE BASE COURSE (ITEM 209-GRADATION "B") COMPACTED TO 100% STD. PROCTOR. COST OF BASE COURSE SHALL BE INCIDENTAL TO CONSTRUCTION OF INLET SPECIAL.

INLET DETAILS
 NOT TO SCALE



DATE	REVISION	BY

SIA
 SOUTHERN ILLINOIS AIRPORT
 MURPHYSBORO / CARBONDALE, ILLINOIS
 ILL. PROJ.: MDH-4173

Hanson Project No.	11A0037D_0001
Filename	R-133DRN.DWG
Scale	NO. SCALE
Date	04/20/2012
LAYOUT	JSL 03/21/2012
DRAWN	CWS 03/21/2012
REVIEWED	JSL 04/16/2012

HANSON
 Hanson Professional Services Inc.
 2035 New Illinois
 Offices Nationwide

CONSTRUCT PERIMETER ROAD TO SUPPORT ARFF/SRE BUILDING
 PROPOSED DRAINAGE DETAILS