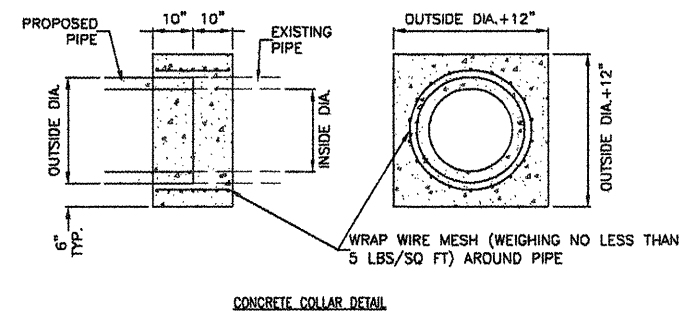


LEDGED
TOP = \bar{E} OF CURB
INV = INVERT OF MANHOLE
US = UPSTREAM
DS = DOWNSTREAM
 \bar{E} = FLOWLINE
[Hatched Box] = TRENCH BACKFILL



F.A.U. RTE.	SECTION	COUNTY
917D	08-00333-12-PW	ST. CLAIR
ILLINOIS	CONTRACT NO. 97492	

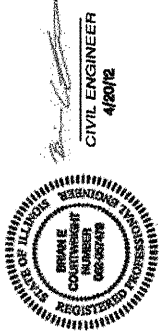
SHEET NO.
28 OF 55

Job No. 088-09
Scale: 1"=20'
Drawn by: BEC
Design by: BEC
Approved by: CMB
File Name: 888b Plans

ISSUE RECORD

DATE FS&E 4/20/12

Corporate Engineering Certificate # 000381



CBB Crawford, Bunte, Brammeyer
Traffic and Transportation Engineers
St. Louis, Missouri/Glen Carbon, Illinois
314-878-6644 618-656-2612
Fax: 314-878-5876 E-Mail: cbb@cbbtraffic.com

STORM SEWER PROFILES
N. GREEN MOUNT ROAD & 1-64
E.B. RAMP, W.B. RAMP &
REGENCY PARK/PIERCE BLVD
SHILOH, ILLINOIS