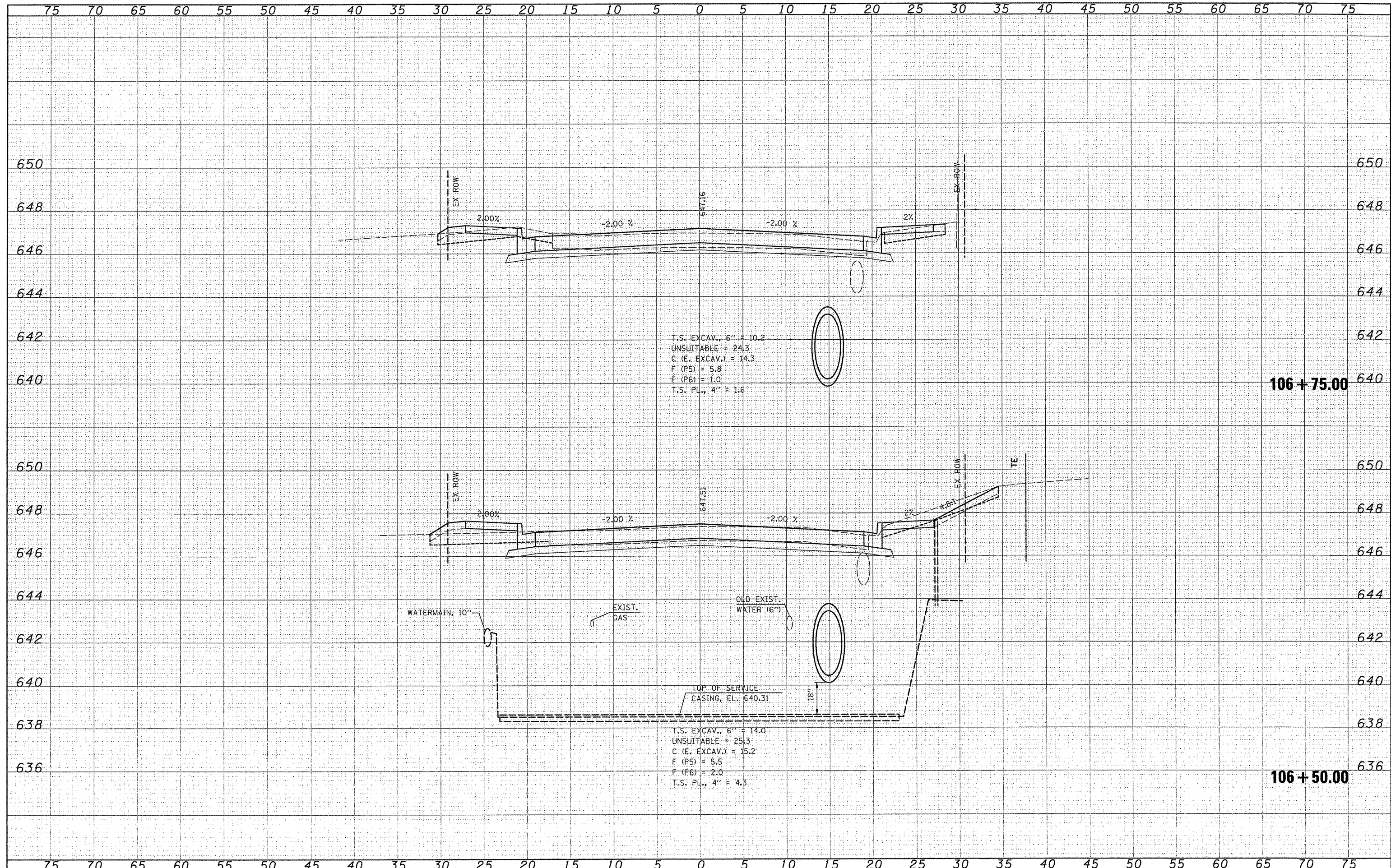


DATE	
BY	
FINAL SURVEY	
CHECKED	
PLOTTED	
TEMPLATE	
NOTE BOOK	
AREAS	
AREAS CHECKED	

DATE	
BY	
ORIGINAL SURVEY	
CHECKED	
PLOTTED	
TEMPLATE	
NOTE BOOK	
AREAS	
AREAS CHECKED	



FILE NAME	USER NAME	DESIGNED	REVISED
H:\618\Water\asMoore\Phase1\106+50-ROADWAY.dwg	USERDESCR	-	-
	PLT: SCALE = 5.0000' / IN.	CHECKED	REVISED
	PLT DATE = 3/2/2012	DATE	REVISED

STATE OF ILLINOIS
DEPARTMENT OF TRANSPORTATION

F.A.U. 9315 (MOORE STREET)			
SCALE:	SHEET NO.	OF SHEETS	STA. 106+50.00 TO STA. 106+75.00

F.A.U. RTE.	SECTION	COUNTY	TOTAL SHEETS	SHEET NO.
9315	06-00032-03-PV	MONROE	93	70
FED. ROAD DIST. NO. ILLINOIS/FED. AID PROJECT			CONTRACT NO. 97488	