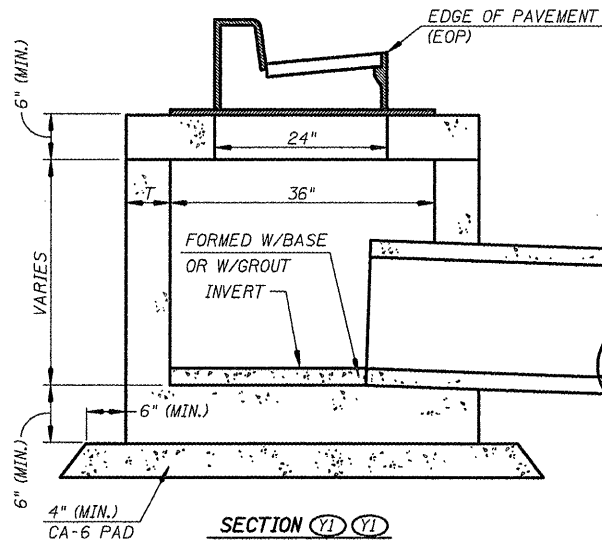


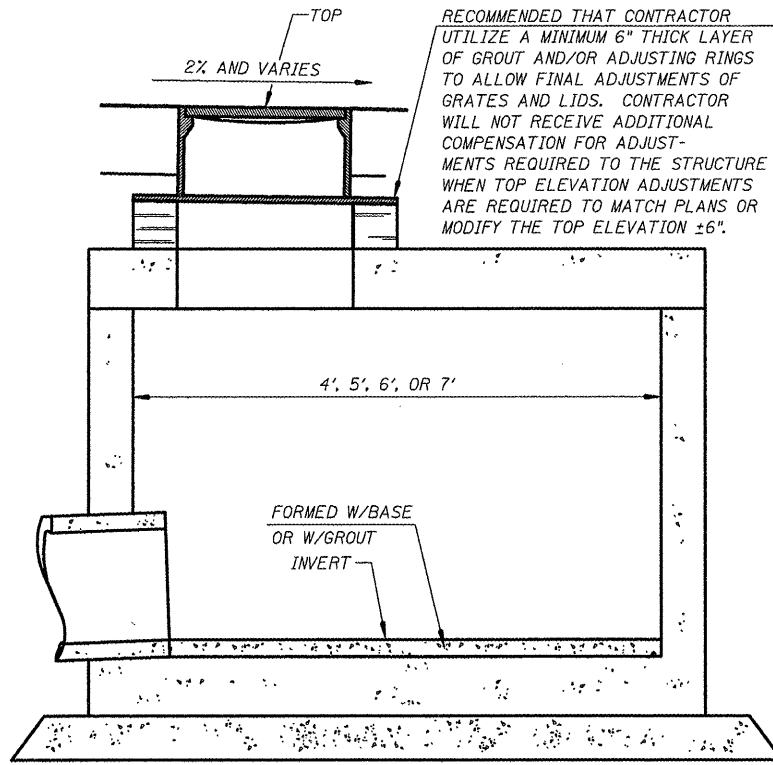
PLAN



SECTION (Y1) (Y1)

INLET, TYPE B DETAILS

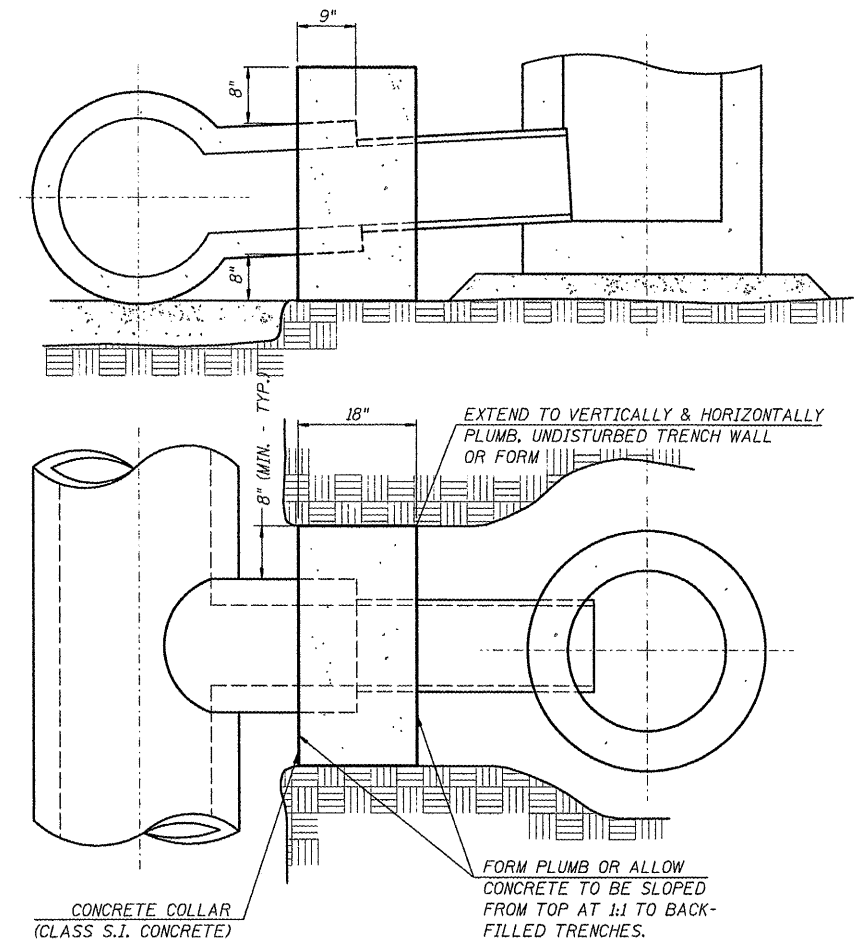
(CONTRACTOR MAY OPT TO USE THIS DETAIL TO MODIFY STANDARD 602306 OR STANDARD 602306 ITSELF, WHEN THE DEPTH IS ADEQUATE FOR A CORBEL)



SECTION

RESTRICTED DEPTH MANHOLE DETAILS

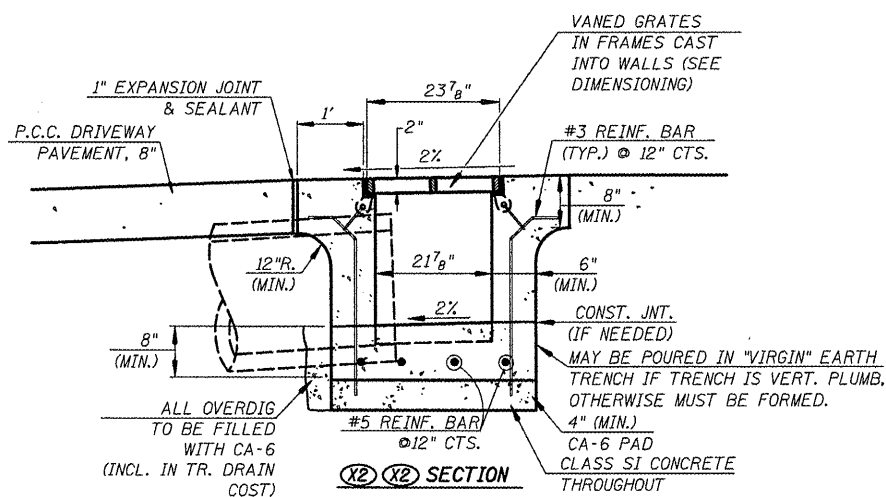
(SEE ALSO APPLICABLE SECTIONS OF SECTION 602 OF THE STANDARD SPECIFICATIONS)



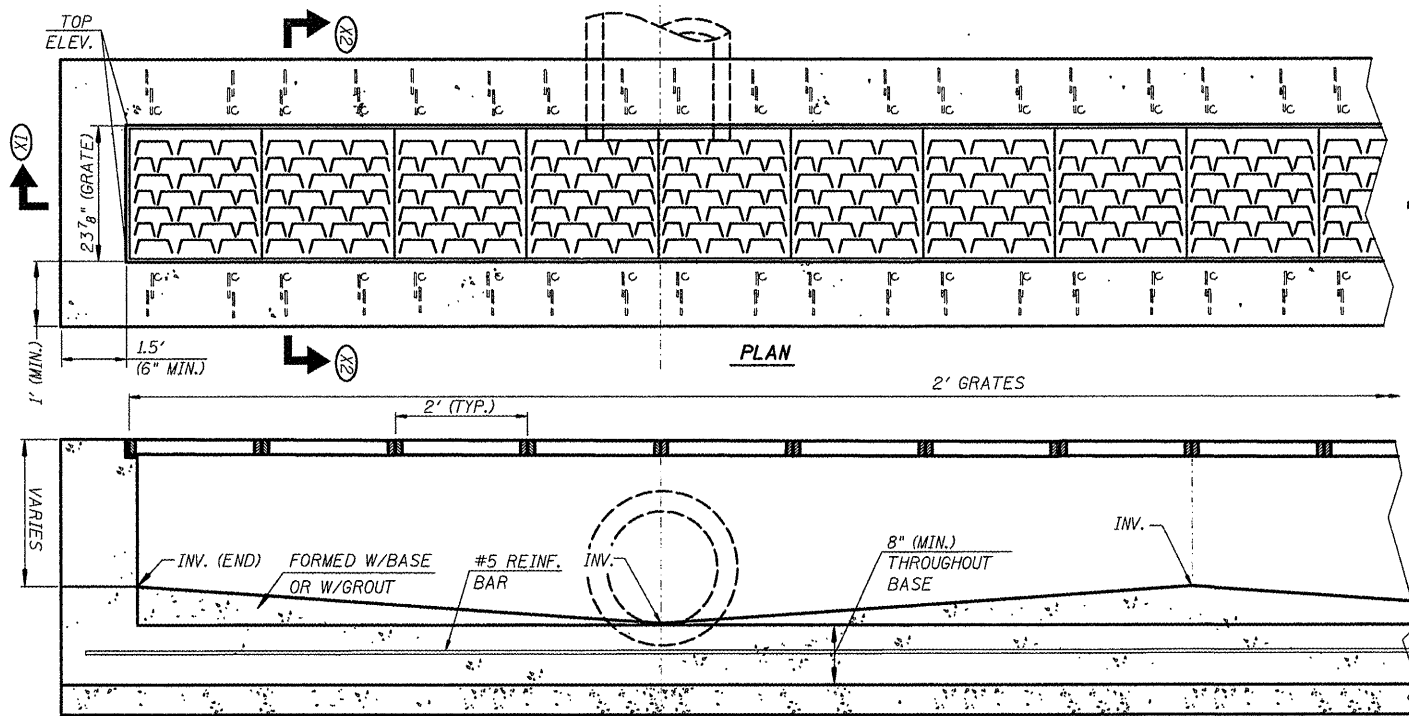
CONCRETE COLLAR DETAILS FOR STORM SEWERS

SINGLE OR DOUBLE ROW TRENCH DRAIN DETAILS

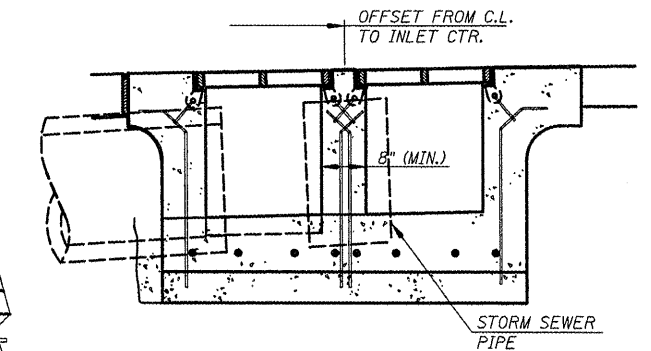
(SEE ALSO MANUFACTURER'S RECOMMENDATIONS)



SECTION (X2) (X2)



SECTION (X1) (X1)



SECTION (SHOWING DUAL ROW DRAIN)

FILE NAME = 6185-ssdetail.dgn
 H:\6185Water\ssdetail.dgn

USER NAME = USERDESCR.
 PLOT SCALE = 1:2000
 PLOT DATE = 3/28/2012

DESIGNED - HMG: CRW & EDW
 DRAWN - HMG: CRW, EDW, & KOJ
 CHECKED - HMG: CRW
 DATE

REVISED -
 REVISED -
 REVISED -
 REVISED -

**STATE OF ILLINOIS
 DEPARTMENT OF TRANSPORTATION**

**STORM SEWER
 DETAILS**

SCALE: SHEET NO. OF SHEETS STA. TO STA.

F.A. RTE. 9315	SECTION 06-00032-03-PV	COUNTY MONROE	TOTAL SHEETS 93	SHEET NO. 39
CONTRACT NO. 97488				
FED. ROAD DIST. NO. ILLINOIS; FED. AID PROJECT				

HMG ENGINEERS, INC., 1075 LAKE ROAD, PO BOX 70, CARLYLE, IL 62231 PHONE (618) 594-3711 WWW.HMGENGINEERS.COM