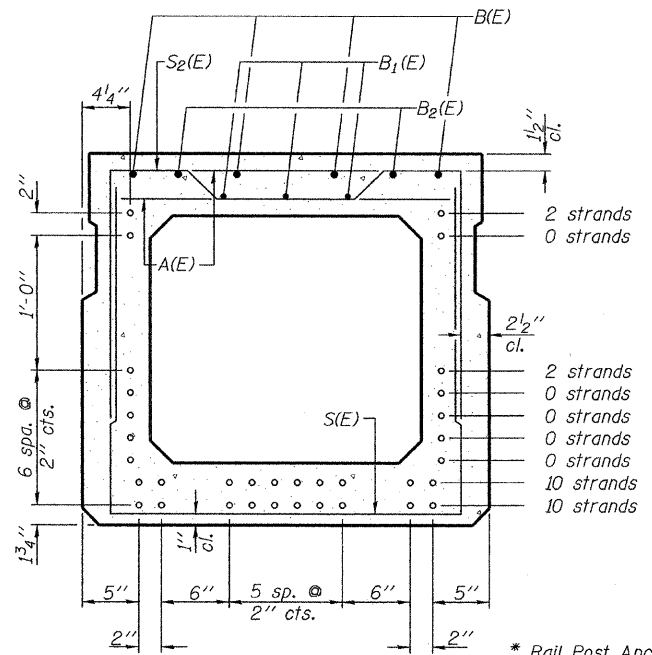


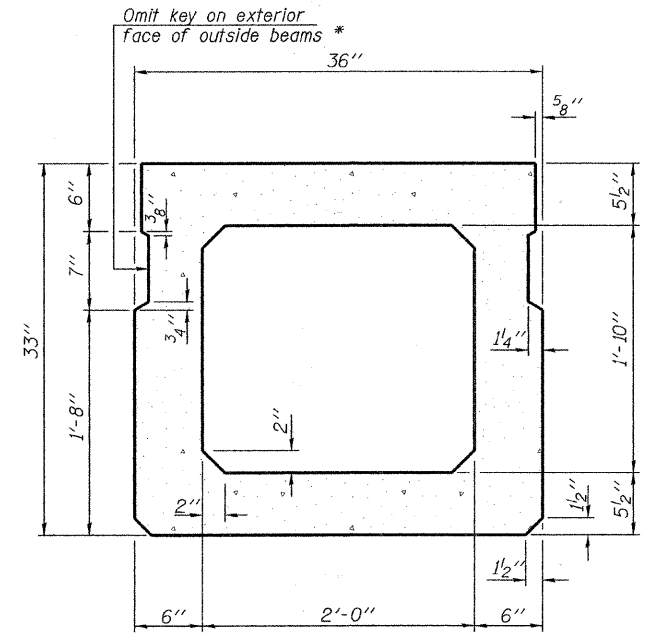
SECTION A-A



SECTION B-B

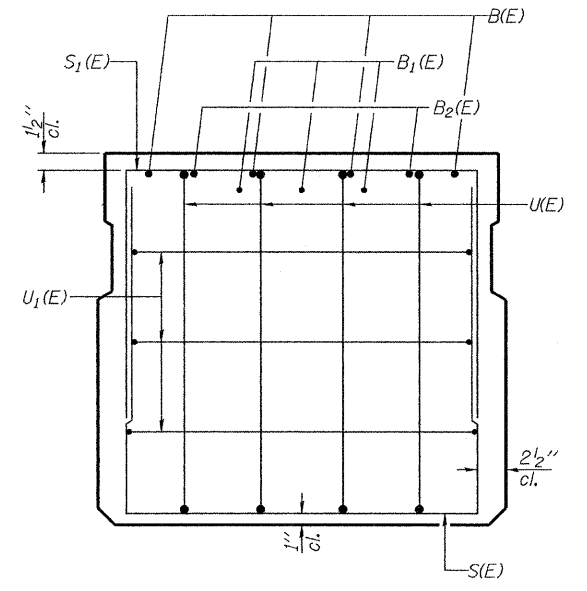
(Showing reinforcement and permissible strand locations)

Note: Place the number of strands specified in each row symmetrically about the centerline of beam in the permissible strand locations shown.

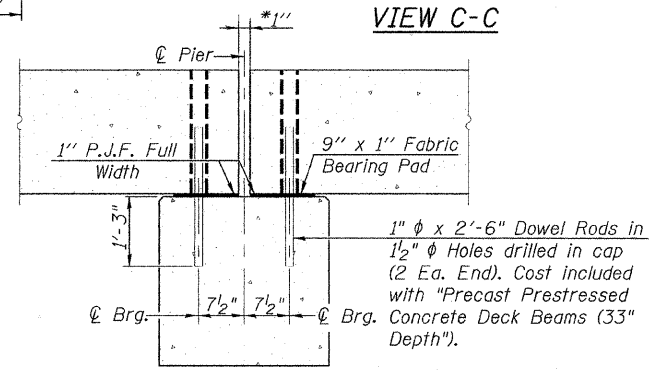


SECTION B-B

(Showing dimensions)



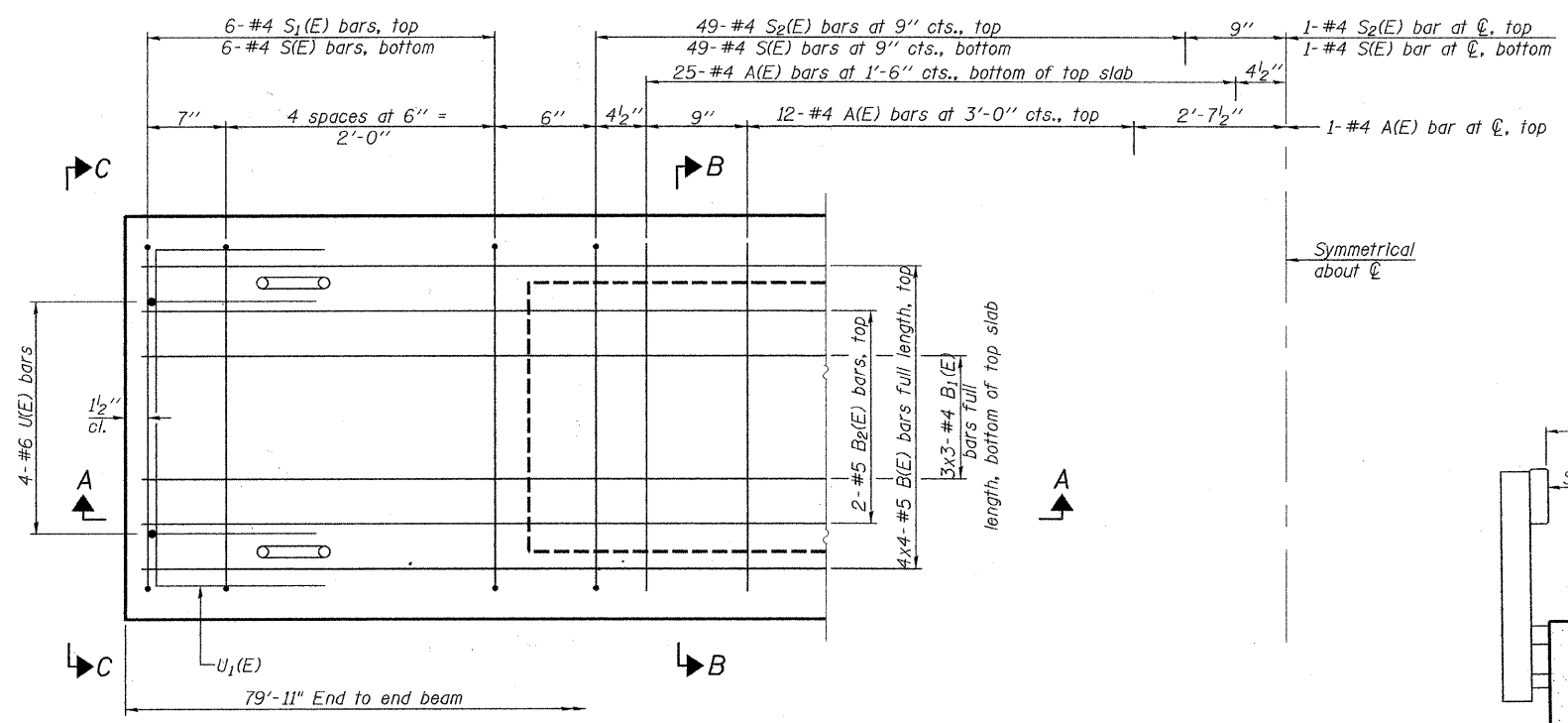
VIEW C-C



SECTION THRU PIER

Notes: After beams have been erected, holes shall be drilled into substructure and anchor dowels placed. Dowel holes shall be filled with non-shrink grout to top of beam and allowed to cure min. 24 hrs. prior to grouting the shear keys.

All horizontal dimensions are at right angles to beam ends. * 1" joint shall be filled with non-shrink grout. 1" dimension may vary to accommodate tolerance in beam lengths.

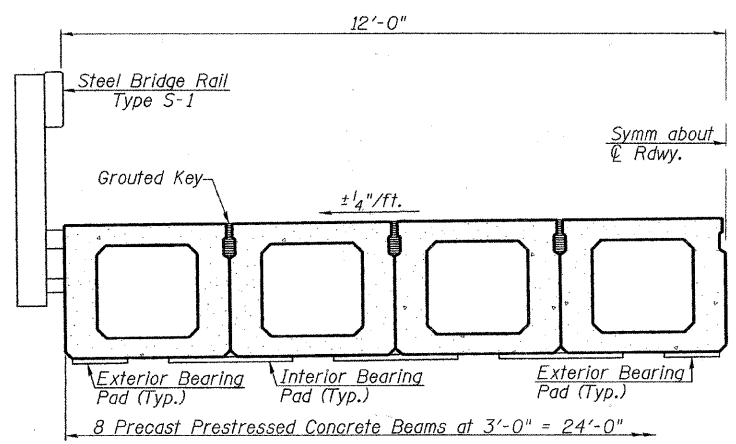


PLAN VIEW

Note: Spacing of S(E) and S2(E) bars may be adjusted up to 4" in the immediate area of the transverse tie diaphragms to miss the block outs for the transverse ties.

MINIMUM BAR LAP

#4 bar = 2'-0"
#5 bar = 2'-6"



HALF CROSS SECTION

BAR LIST
ONE BEAM ONLY
(For information only)

Bar	No.	Size	Length	Shape
A(E)	75	#4	2'-7"	—
B(E)	16	#5	22'-5"	—
B1(E)	9	#4	28'-7"	—
B2(E)	4	#5	10'-0"	—
S(E)	111	#4	7'-5"	□
S1(E)	12	#4	6'-3"	□
S2(E)	99	#4	6'-6"	□
U(E)	8	#6	5'-0"	□
U1(E)	6	#4	5'-0"	□

Note: See sheet 6 of 10 for additional details and Bill of Material.

Bars indicated thus 4x4-#5 etc. indicates 4 lines of bars with 4 lengths per line.

PD-3336-0

7-1-10

FILE NAME =	USER NAME =	DESIGNED -	REVISIONS -		Allen Henderson & Associates, Inc. Civil and Structural Engineers Springfield, IL. 62703 Phone: (217)544-8033 IL Design Firm No. 184-001907	33" X 36" PPC DECK BEAM SPAN 2	T.R. RTE.	SECTION	COUNTY	TOTAL SHEETS	SHEET NO.
		CHECKED -	REVISIONS -				272	10-03114-00-BR	SHELBY	27	11
		PLOT SCALE =	REVISIONS -				CONTRACT NO. 95688				
		PLOT DATE =	REVISIONS -				ILLINOIS FED. AID PROJECT				

SHEET NO. 5 OF 10 SHEETS