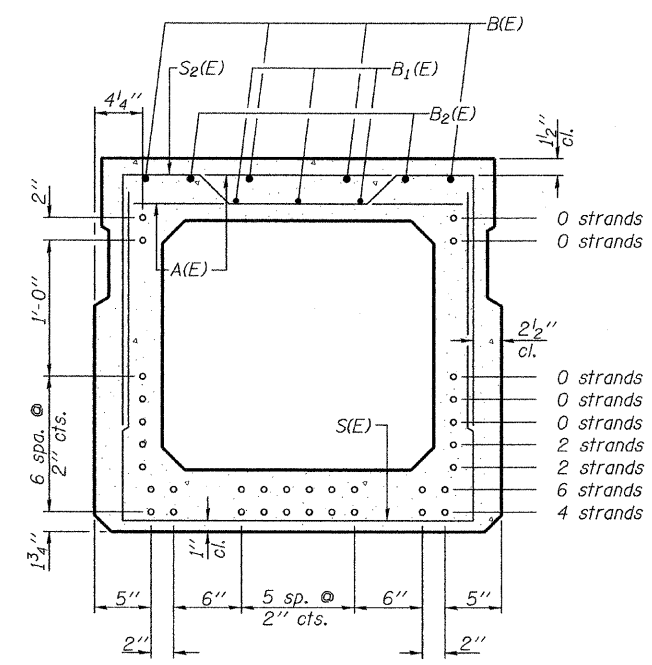
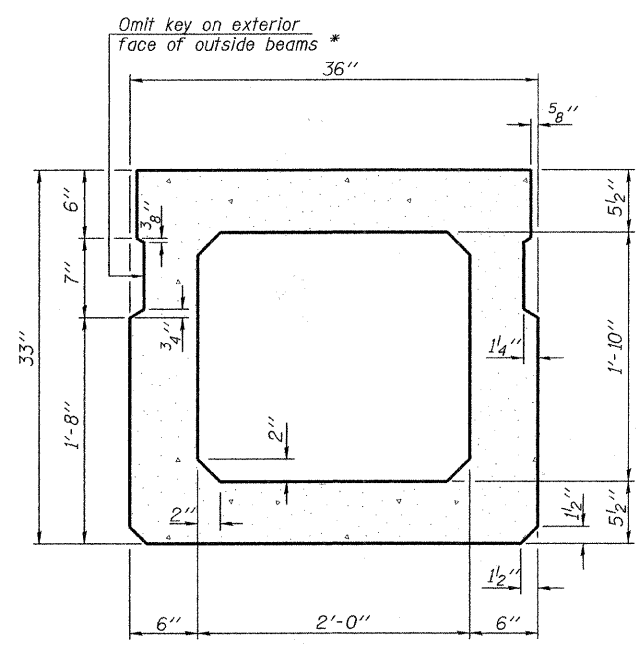


**SECTION A-A**

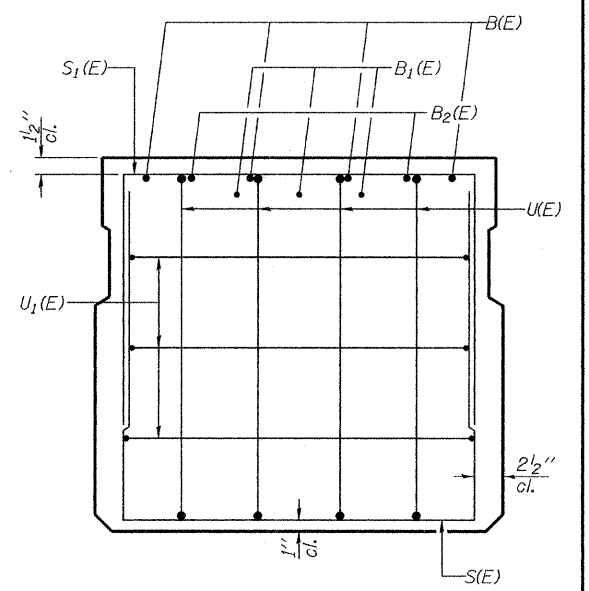


**SECTION B-B**  
(Showing reinforcement and permissible strand locations)

Note: Place the number of strands specified in each way symmetrically about the centerline of beam in the permissible strand locations shown.



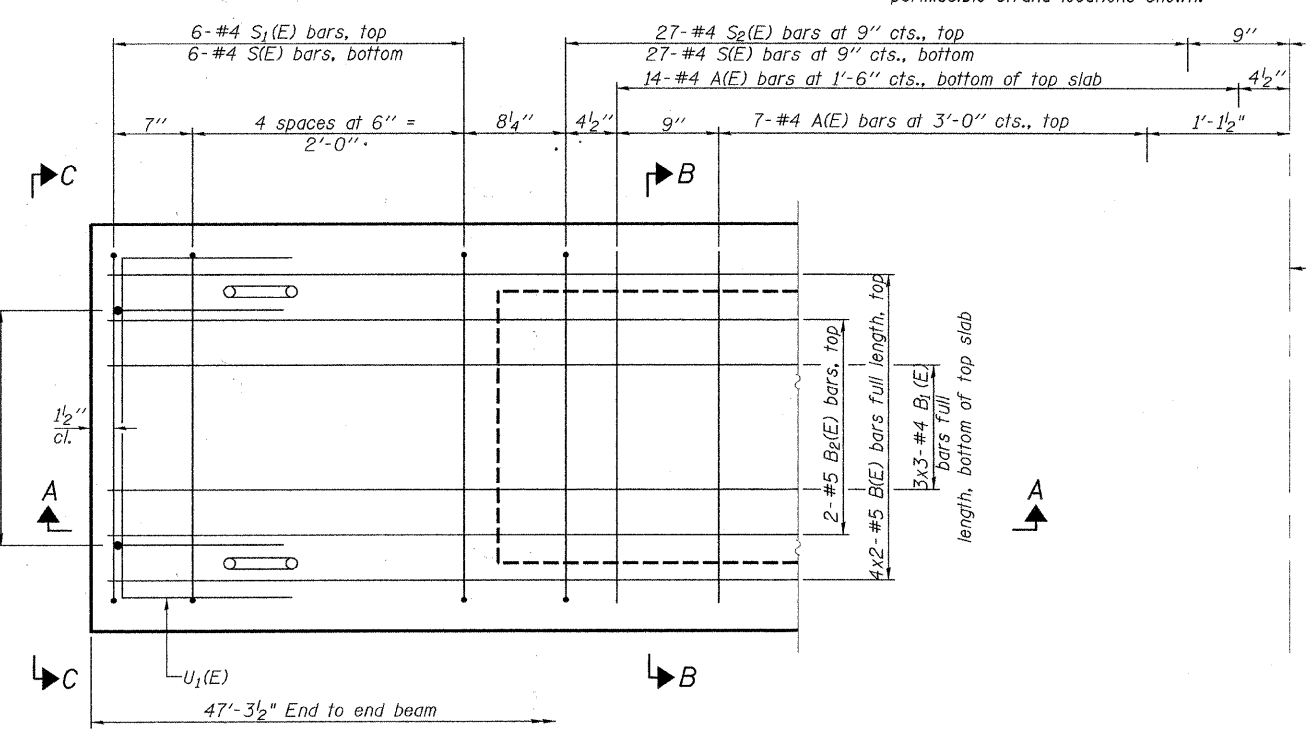
**SECTION B-B**  
(Showing dimensions)



**VIEW C-C**

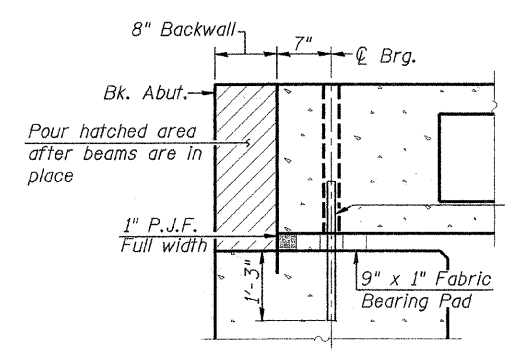
\* Rail Post Anchors (sht. 7 of 10) to be cast into exterior face of outside beams

Notes: After beams have been erected, holes shall be drilled into substructure and anchor dowels placed. Dowel holes shall be filled with non-shrink grout to top of beam and allowed to cure min. 24 hrs. prior to grouting the shear keys. All horizontal dimensions are at right angles to beam ends.

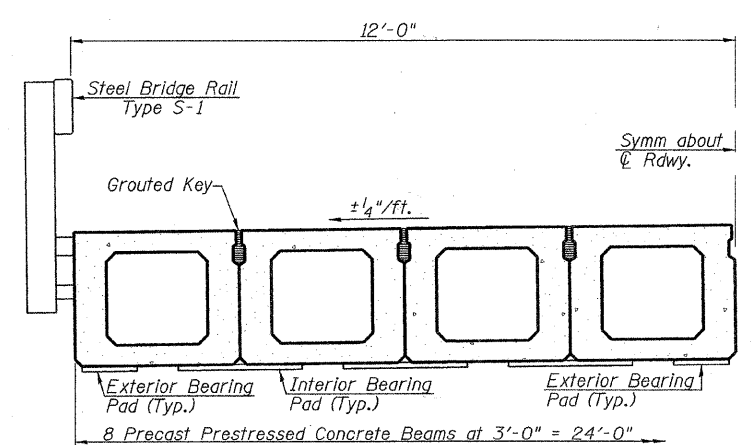


**PLAN VIEW**

Note: Spacing of S(E) and S2(E) bars may be adjusted up to 4" in the immediate area of the transverse tie diaphragms to miss the block outs for the transverse ties.



**SECTION THRU ABUTMENT**  
(At Right Angles)



**HALF CROSS SECTION**

**BAR LIST**  
**ONE BEAM ONLY**  
(For Information Only)

Bar	No.	Size	Length	Shape
A(E)	42	#4	2'-7"	—
B(E)	8	#5	24'-11"	—
B1(E)	9	#4	17'-8"	—
B2(E)	4	#5	10'-0"	—
S(E)	67	#4	7'-5"	┌
S1(E)	12	#4	6'-3"	┌
S2(E)	55	#4	6'-6"	┌
U(E)	8	#6	5'-0"	┌
U1(E)	6	#4	5'-0"	┌

Note: See sheet 4 of 10 for additional details and Bill of Material.

Bars indicated thus 4x2-#5 etc. indicates 4 lines of bars with 2 lengths per line.

**MINIMUM BAR LAP**  
#4 bar = 2'-0"  
#5 bar = 2'-6"

PD-3336-0 7-1-10

FILE NAME =	USER NAME =	DESIGNED -	REVISED -		<b>Allen Henderson &amp; Associates, Inc.</b> Civil and Structural Engineers Springfield, IL. 62703 Phone: (217)544-8033 IL. Design Firm No. 184-001907	<b>33" X 36" PPC DECK BEAMS</b> <b>SPANS 1 &amp; 3</b>	T.R. RTE.	SECTION	COUNTY	TOTAL SHEETS	SHEET NO.
		CHECKED -	REVISED -				272	10-03114-00-BR	SHELBY	27	9
		PLOT SCALE =	REVISED -				SHEET NO. 3 OF 10 SHEETS			CONTRACT NO. 95688	
		PLOT DATE =	REVISED -				ILLINOIS FED. AID PROJECT				