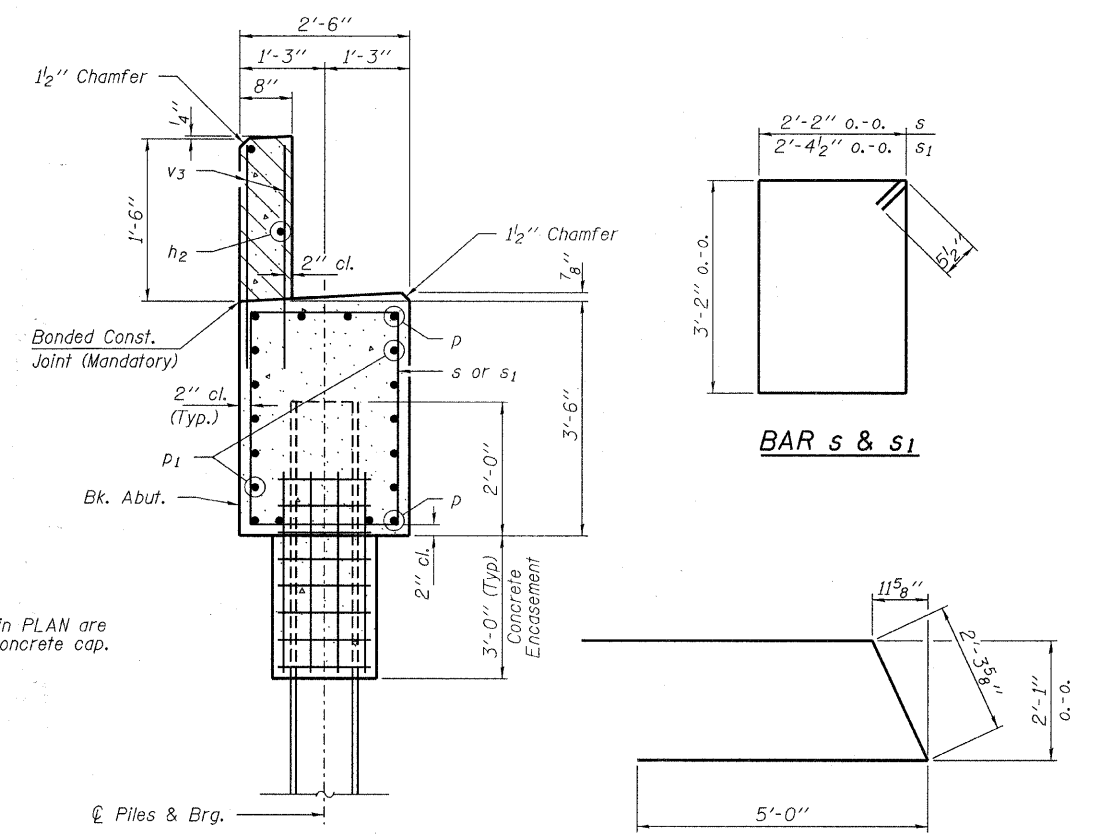


PLAN

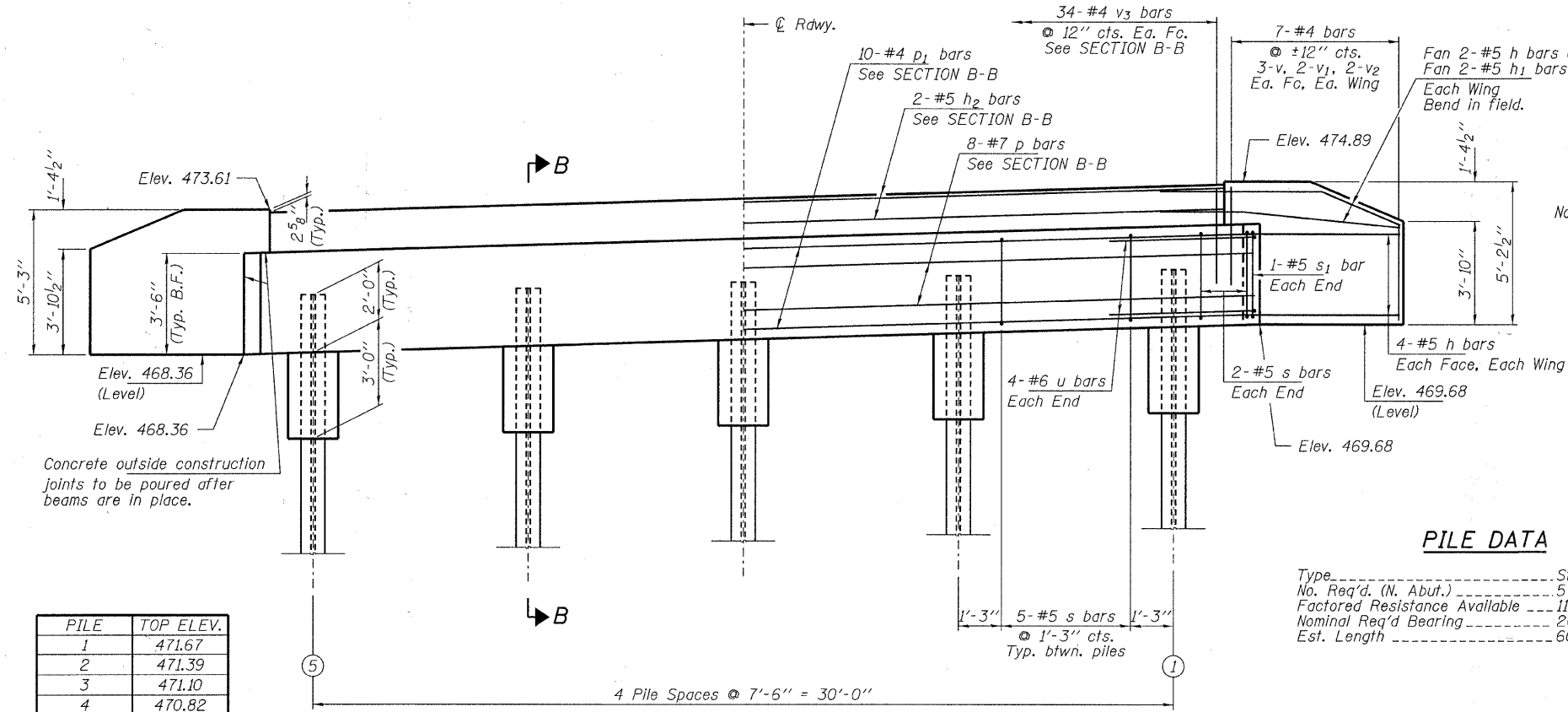
Note: Elevations in PLAN are to top of concrete cap.



SECTION B-B

Hatched area to be poured after beams are in place.

BAR u



ELEVATION
(Looking North)

Note: Extend h bars into abutment cap.

PILE DATA

Type: Steel HP12x53
 No. Req'd. (N. Abut.) 5
 Factored Resistance Available 115 Kips/Pile
 Nominal Req'd Bearing 209 Kips/Pile
 Est. Length 60 Ft/Pile

PILE	TOP ELEV.
1	471.67
2	471.39
3	471.10
4	470.82
5	470.53

BILL OF MATERIAL - N. ABUT.

BAR	NO.	SIZE	LENGTH	SHAPE
h	20	#5	9'-3"	—
h1	4	#5	6'-0"	—
h2	2	#5	34'-6"	—
p	8	#7	34'-6"	—
p1	10	#4	34'-6"	—
s	24	#5	11'-7"	□
s1	2	#5	11'-10"	□
u	8	#6	12'-4"	—
v	12	#4	4'-10"	—
v1	8	#4	4'-3"	—
v2	8	#4	3'-7"	—
v3	68	#4	2'-5"	—
Concrete Structures			Cu. Yd.	14.7
Concrete Encasement			Cu. Yd.	1.7
Reinforcement Bars			Pound	1,570
Steel Piles HP12x53			Foot	300