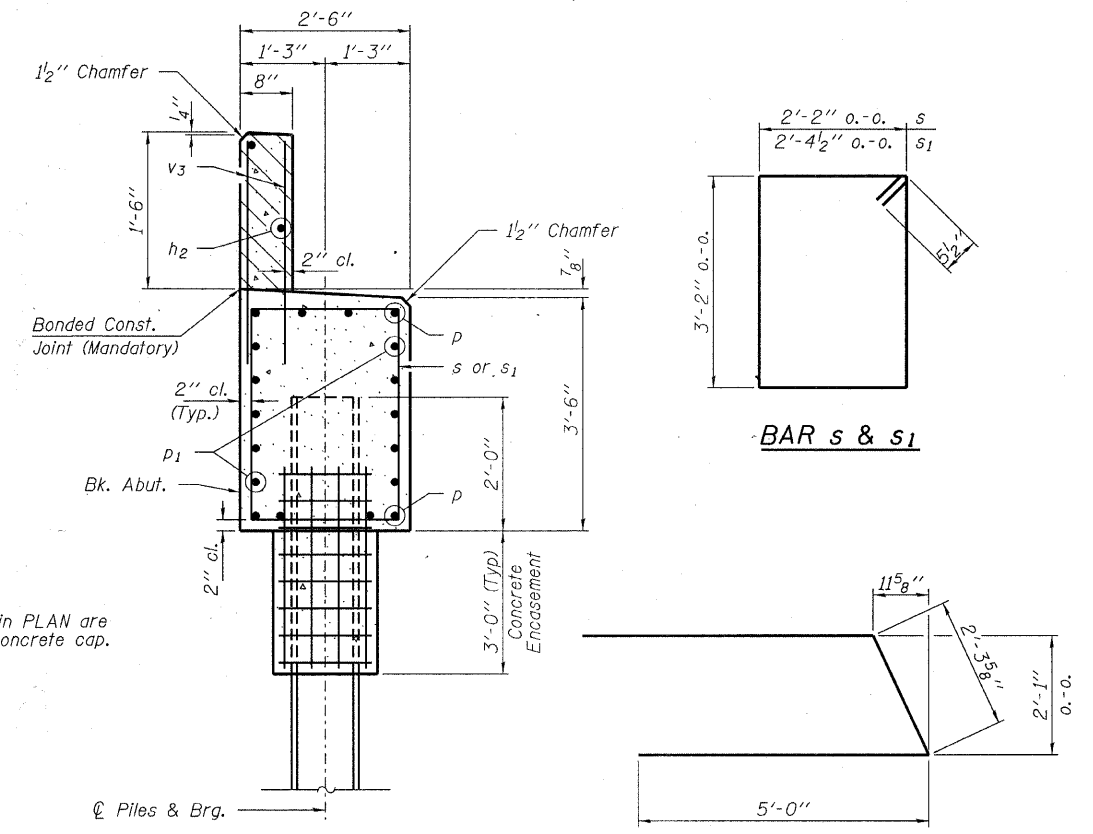


PLAN

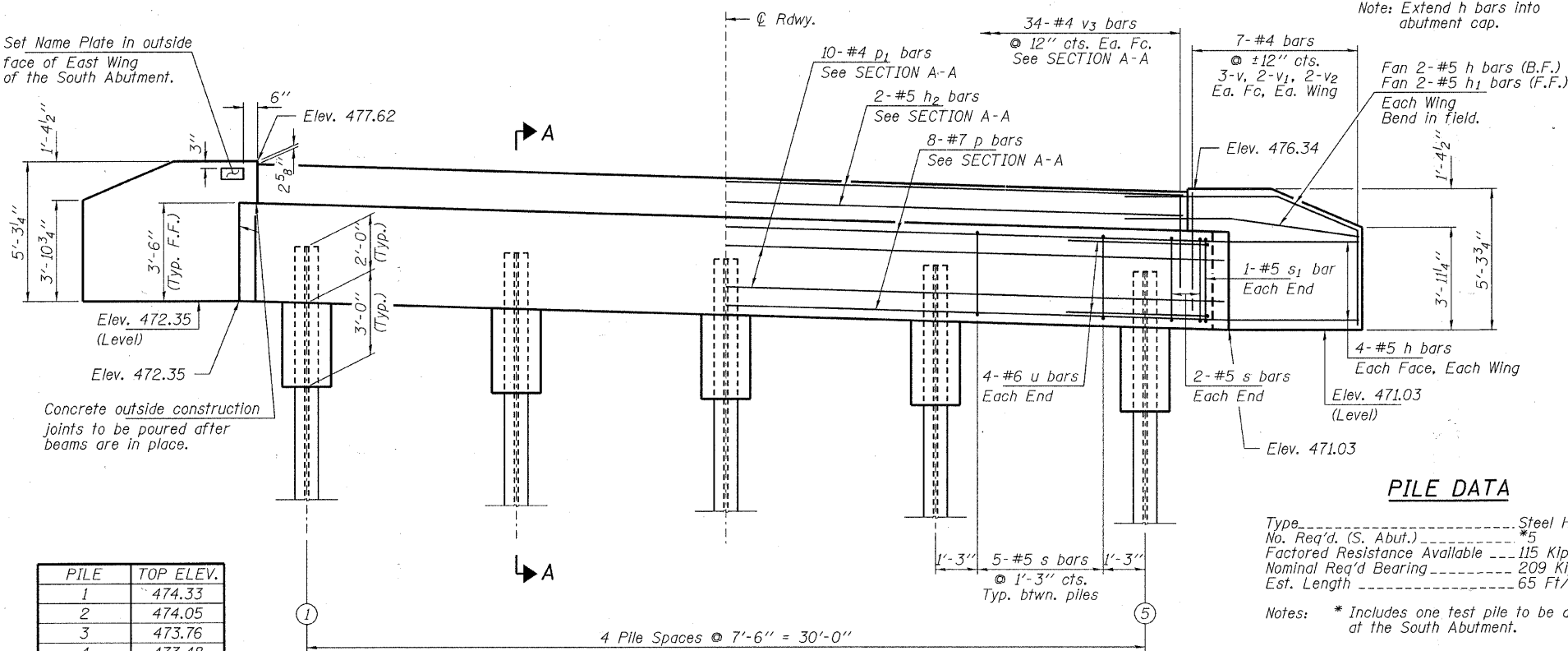
Note: Elevations in PLAN are to top of concrete cap.



SECTION A-A

Hatched area to be poured after beams are in place.

Set Name Plate in outside face of East Wing of the South Abutment.



ELEVATION
(Looking South)

PILE	TOP ELEV.
1	474.33
2	474.05
3	473.76
4	473.48
5	473.19

Note: Extend h bars into abutment cap.

PILE DATA

Type: Steel HP12x53
 No. Req'd. (S. Abut.): 5
 Factored Resistance Available: 115 Kips/Pile
 Nominal Req'd Bearing: 209 Kips/Pile
 Est. Length: 65 FT/Pile

Notes: * Includes one test pile to be driven in a permanent location at the South Abutment.

The test piles shall be driven to 110 percent of the Nominal Required Bearing indicated in the pile data information.

BILL OF MATERIAL - S. ABUT.

BAR	NO.	SIZE	LENGTH	SHAPE
h	20	#5	9'-3"	—
h ₁	4	#5	6'-0"	—
h ₂	2	#5	34'-6"	—
p	8	#7	34'-6"	—
p ₁	10	#4	34'-6"	—
s	24	#5	11'-7"	□
s ₁	2	#5	11'-10"	□
u	8	#6	12'-4"	—
v	12	#4	4'-11"	—
v ₁	8	#4	4'-3"	—
v ₂	8	#4	3'-7"	—
v ₃	68	#4	2'-5"	—
Concrete Structures			Cu. Yd.	14.8
Concrete Encasement			Cu. Yd.	1.7
Reinforcement Bars			Pound	1,570
Steel Piles HP12x53			Foot	260
Test Pile Steel HP12x53			Each	1
Name Plates			Each	1