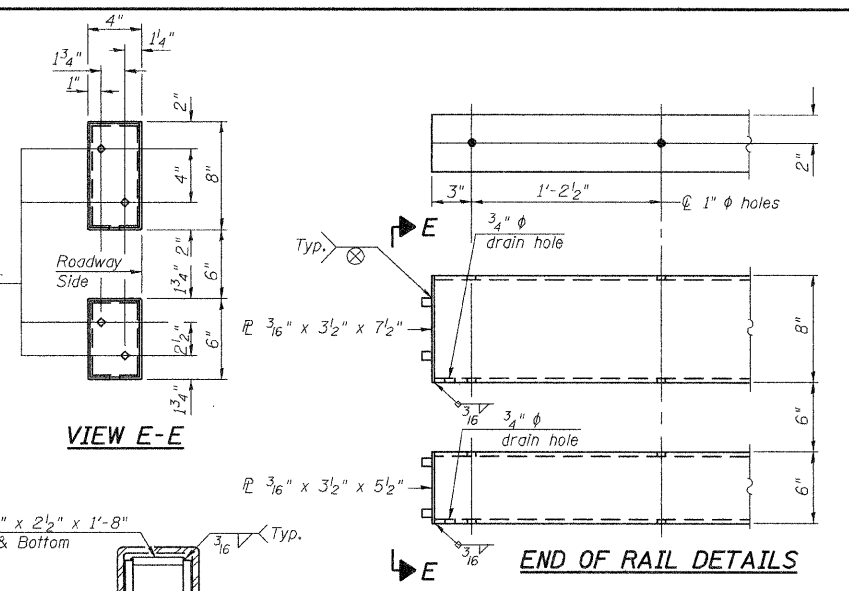
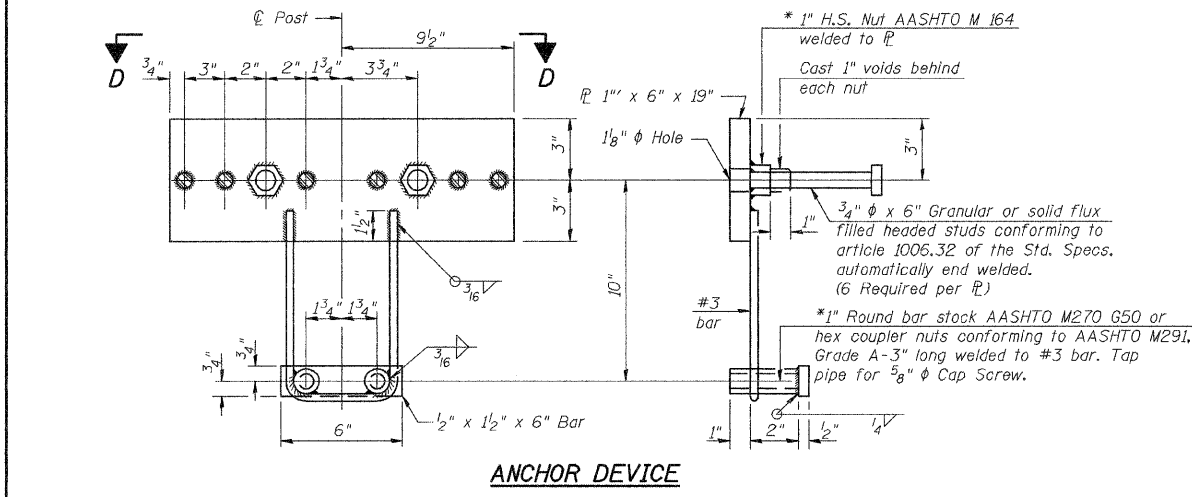
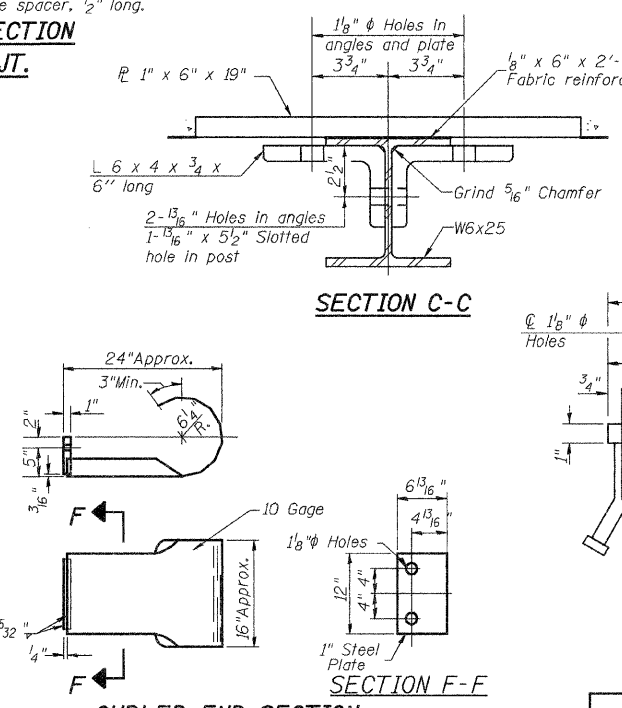
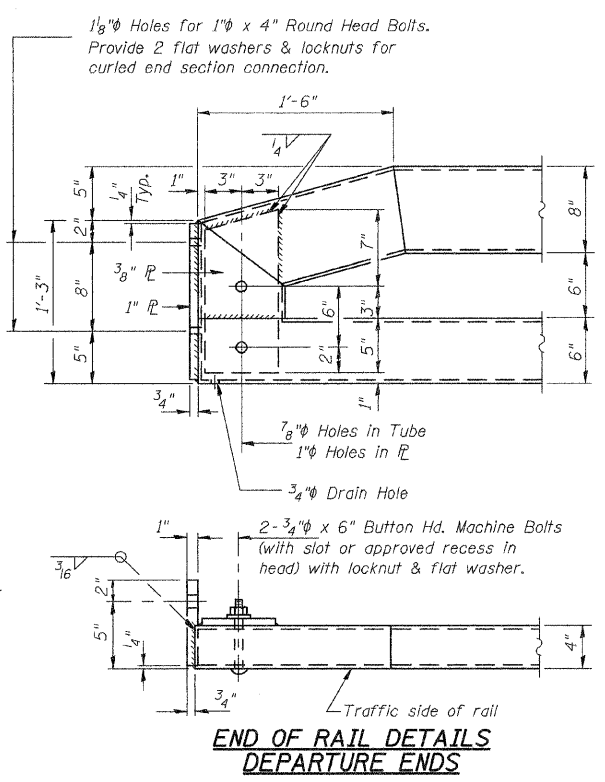
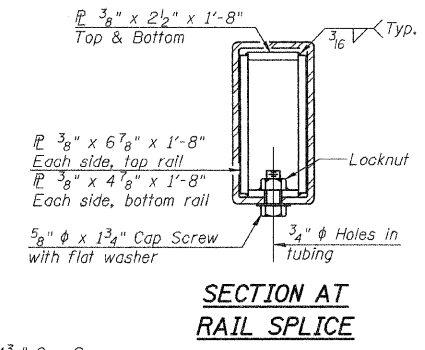
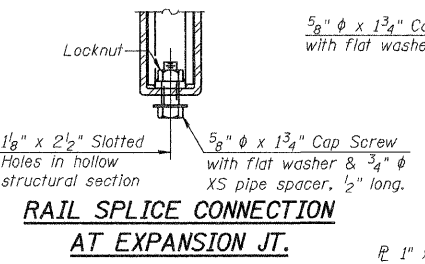
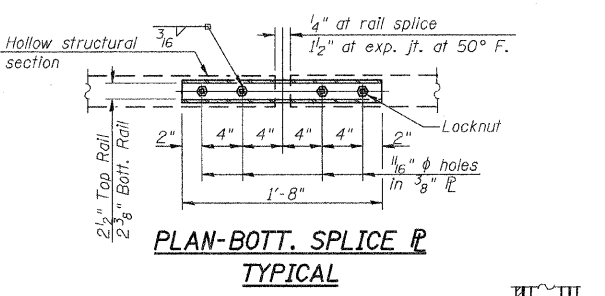
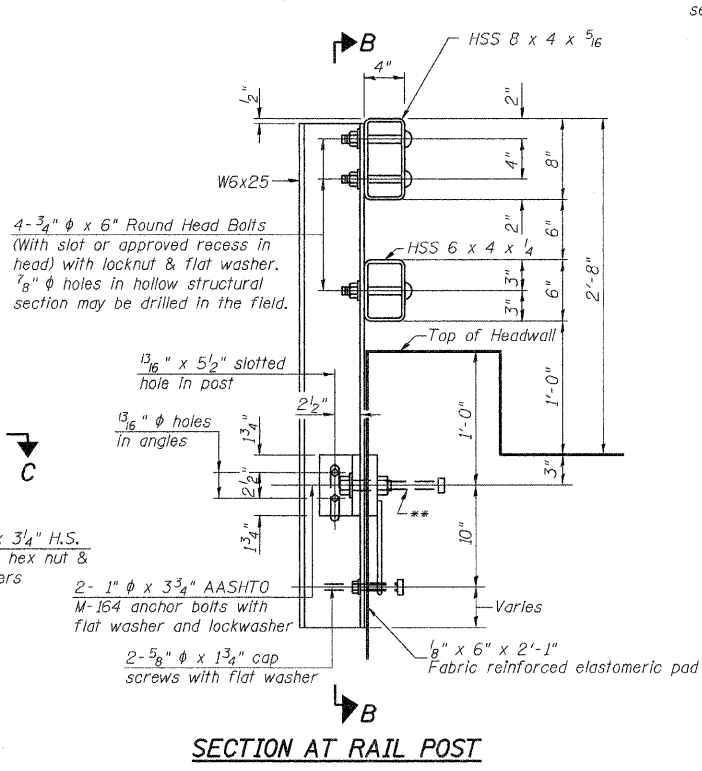
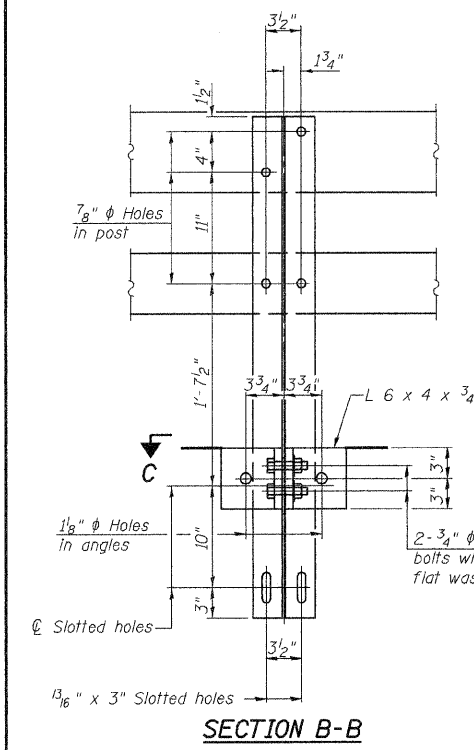


① - 5/8" reduced base welded studs. Provide 4 - 5/8" washers and self-locking nuts or nuts and jam nuts for guardrail connection shown on Std. 631032

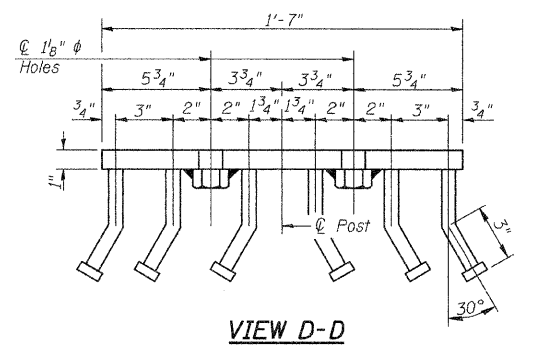


NOTES

All field drilled holes shall be coated with an approved zinc rich paint before erection.
 For multi-span bridges, sufficient 1/4" x 6" x 1'-2" galvanized steel shims shall be provided to align rail between adjacent spans. Cost included with Steel Bridge Rail, Type SM (Special).
 All steel rail members shall be galvanized according to Article 509.05 of the Standard Specifications.
 **The studs of the anchor devices shall be placed below the top reinforcement bars and the outermost longitudinal reinforcement bar shall be placed directly above the studs of the rail post anchor device.



*Threaded areas shall be plugged or blocked off during casting of beam. Galvanized after fabrication.



BILL OF MATERIAL

Item	Unit	Quantity
Steel Bridge Rail, Type SM (Special)	FOOT	102

STEEL BRIDGE RAIL, TYPE SM (SPECIAL)

SHEET NO. 4 5 SHEETS	RTE.	SECTION	COUNTY	TOTAL SHEETS	SHEET NO.
	DIVISION ST.	11-00692-00-DR	LA SALLE	15	12
	FED. ROAD DIST. NO. 7 ILLINOIS	S.N. 050-8025	CONTRACT NO. 87521	FED. AID PROJECT BRM-5066(017)	