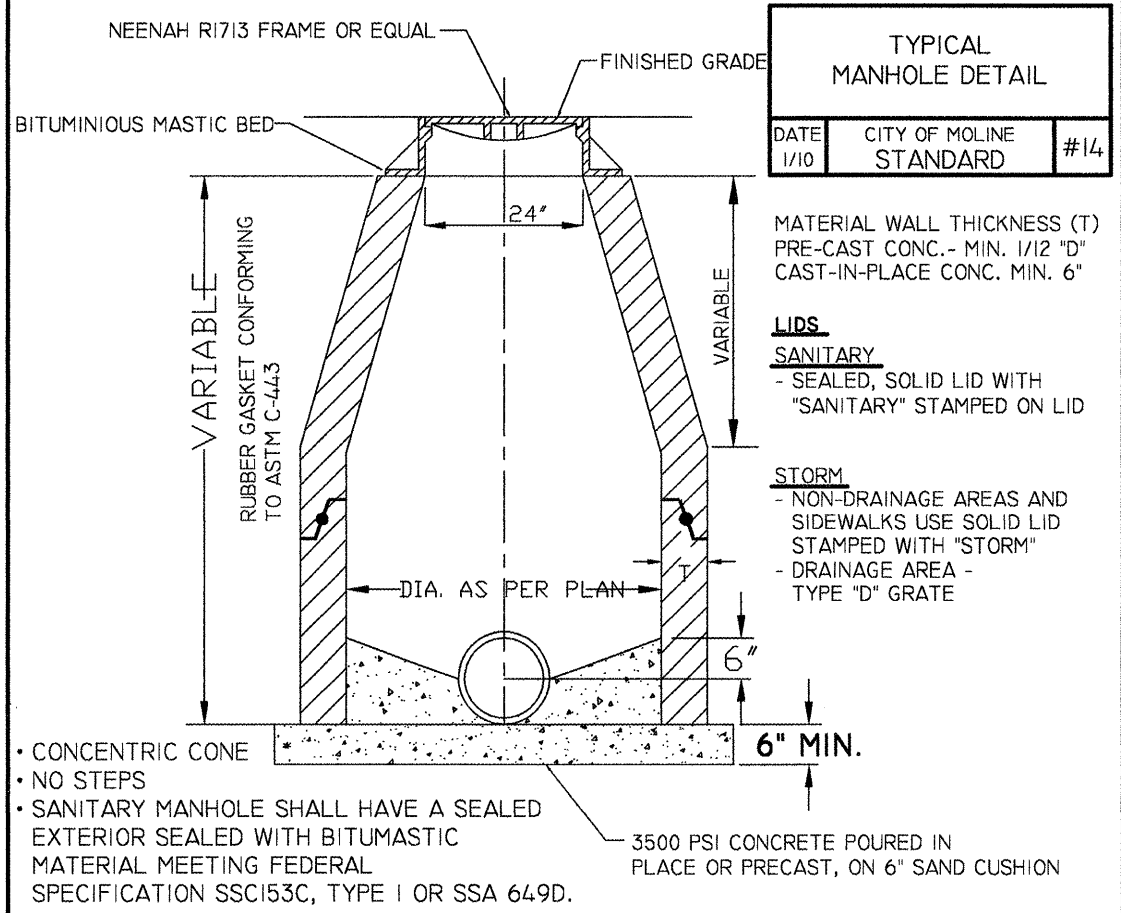
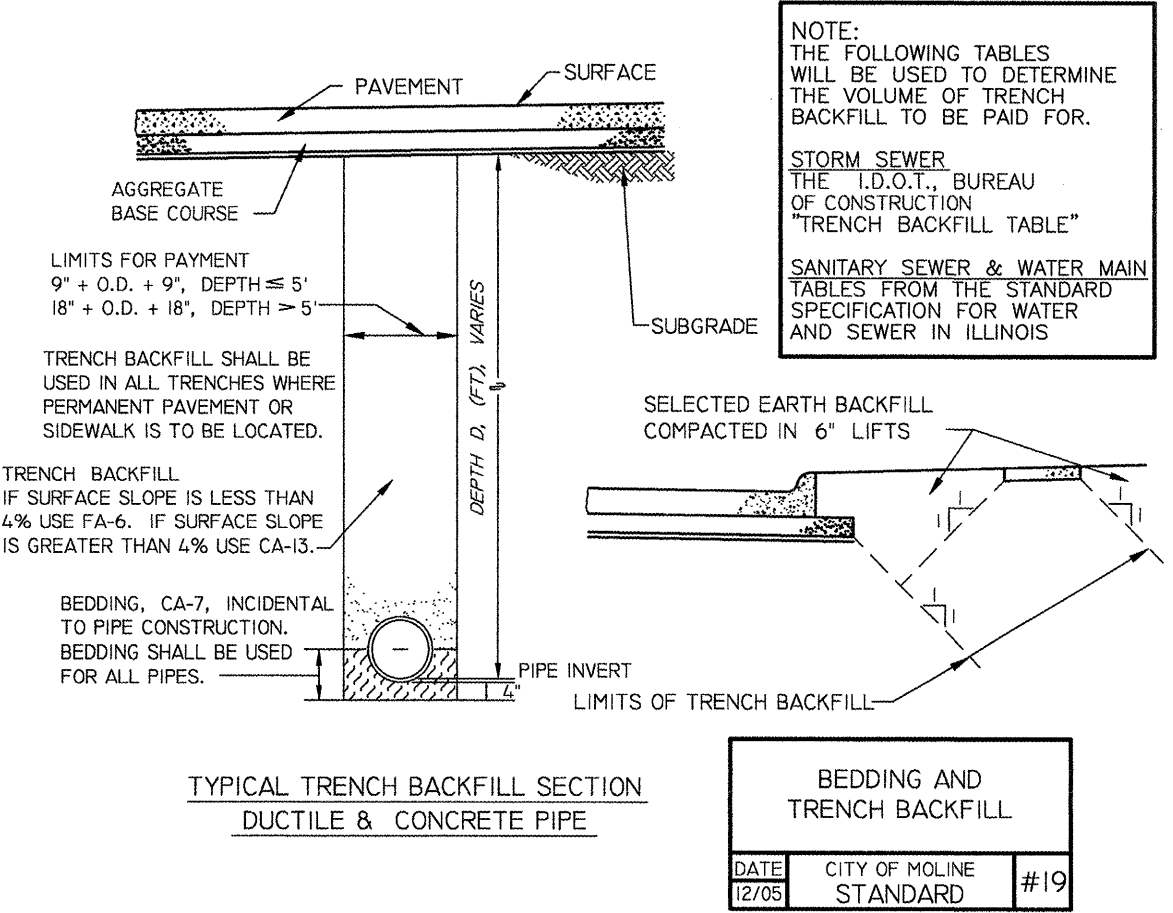


F.A.U. RTE	SECTION	COUNTY	TOTAL SHEETS	SHEET NO.
MS1015	08-00239-00-RP	ROCK ISLAND	34	33



TYPICAL MANHOLE DETAIL

DATE 1/10 CITY OF MOLINE STANDARD #14



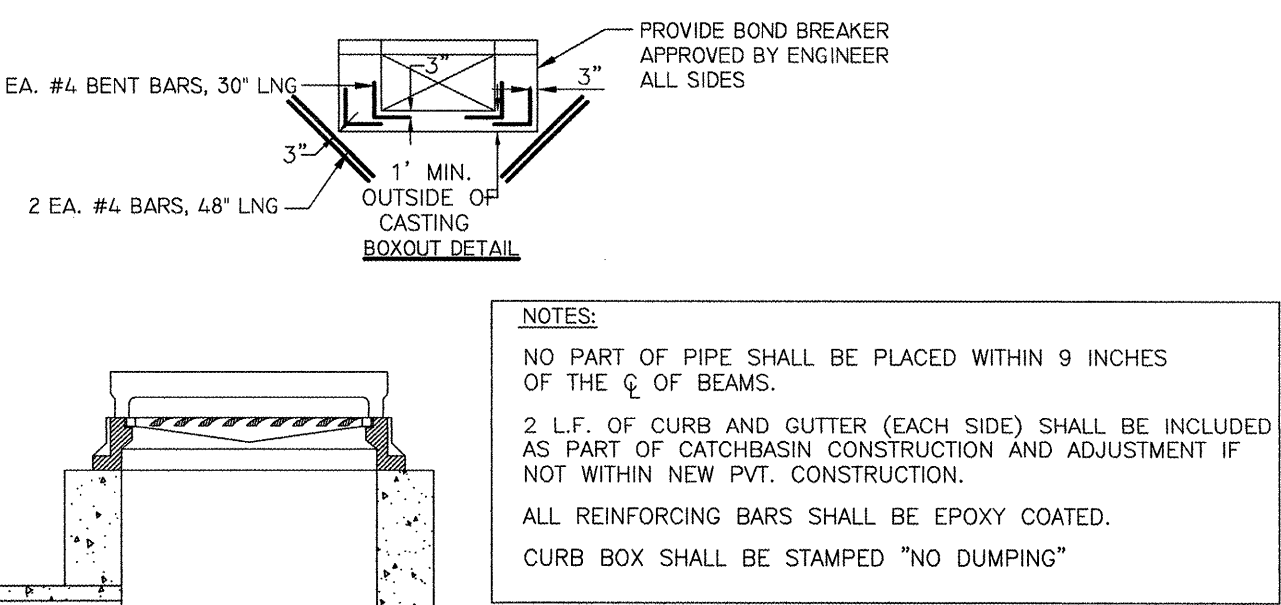
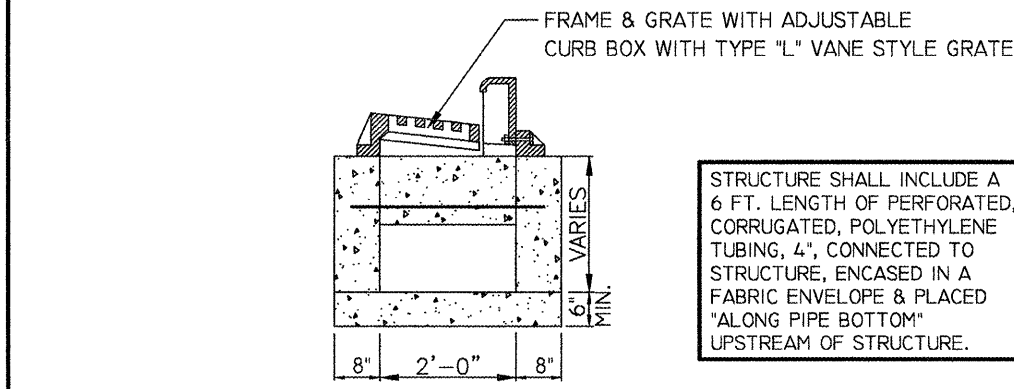
NOTE:
THE FOLLOWING TABLES WILL BE USED TO DETERMINE THE VOLUME OF TRENCH BACKFILL TO BE PAID FOR.

STORM SEWER THE I.D.O.T., BUREAU OF CONSTRUCTION "TRENCH BACKFILL TABLE"

SANITARY SEWER & WATER MAIN TABLES FROM THE STANDARD SPECIFICATION FOR WATER AND SEWER IN ILLINOIS

TYPICAL TRENCH BACKFILL SECTION DUCTILE & CONCRETE PIPE

DATE 12/05 CITY OF MOLINE STANDARD #19



NOTES:

NO PART OF PIPE SHALL BE PLACED WITHIN 9 INCHES OF THE ϕ OF BEAMS.

2 L.F. OF CURB AND GUTTER (EACH SIDE) SHALL BE INCLUDED AS PART OF CATCHBASIN CONSTRUCTION AND ADJUSTMENT IF NOT WITHIN NEW PVT. CONSTRUCTION.

ALL REINFORCING BARS SHALL BE EPOXY COATED.

CURB BOX SHALL BE STAMPED "NO DUMPING"

INLET, TYPE A SINGLE/DOUBLE/TRIPLE DETAIL

DATE 10/11 CITY OF MOLINE STANDARD #20

CITY OF MOLINE
DEPARTMENT OF PUBLIC WORKS - ENGINEERING DIVISION
3635 4TH AVENUE, MOLINE, IL 61265
(309) 524-2350
CITY ENGINEER - SCOTT HINTON, P.E.

RIVERTECH BOULEVARD
34TH STREET, SOUTH OF RIVER DRIVE
DETAILS

Date	Revision

Date	12/13/11	Sheet	33
Scale	N.T.S.	of	34
Design Engineer	JC	Project	MFT 239