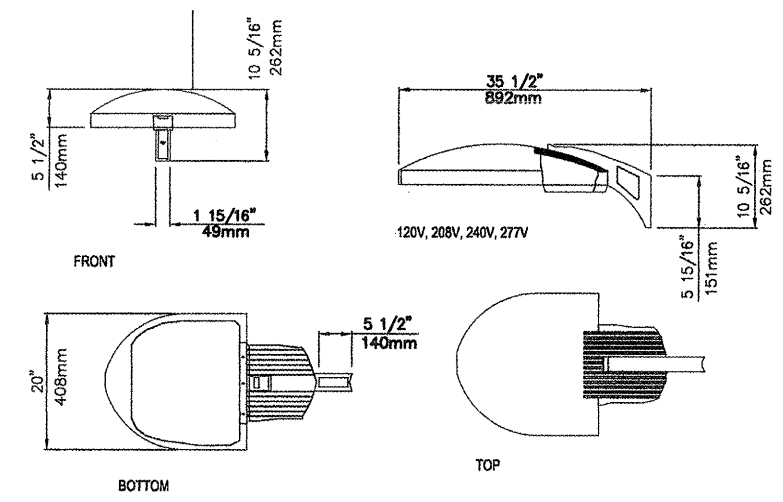
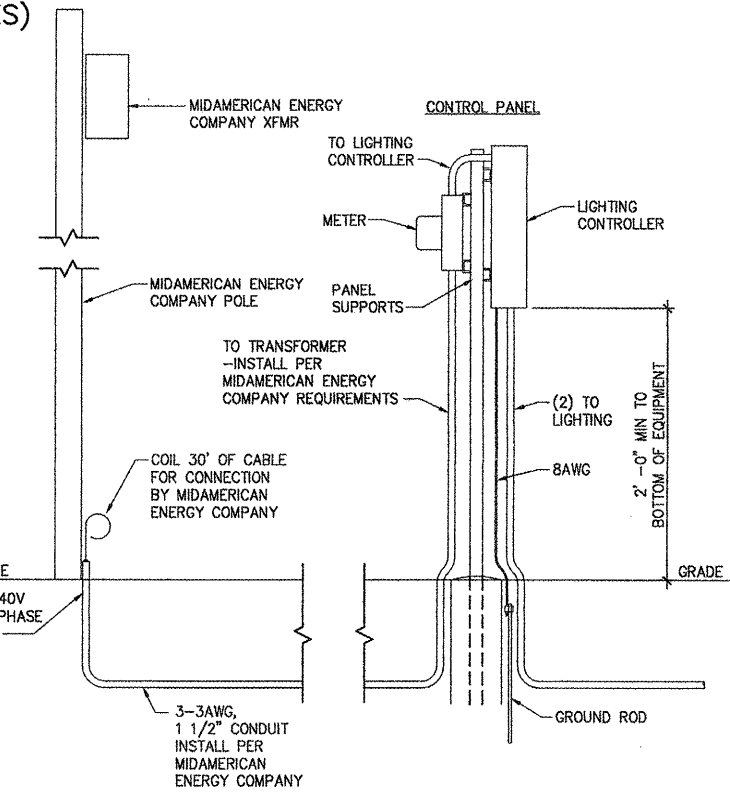


8 240V LIGHTING CONTROL DETAIL (TYPICAL FOR 3 PLACES)
NOT TO SCALE

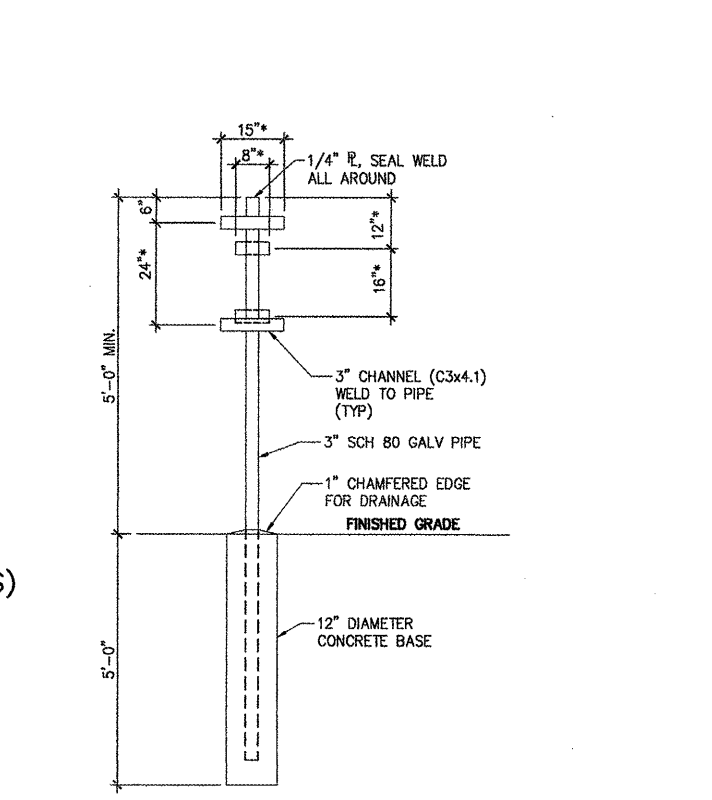


6 GASKETED PULL BOX ASSEMBLY DETAIL
NOT TO SCALE

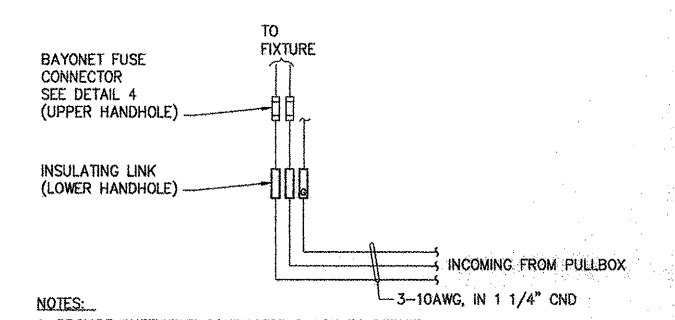


3 PULLBOX WIRING SCHEMATIC
NOT TO SCALE

4 BAYONET FUSE CONNECTOR DETAIL
NOT TO SCALE



1 LIGHT POLE BASE DETAIL
NOT TO SCALE



9 WARP9 LED
N/A

LIGHTING SUMMARY OF QUANTITIES "FOR REFERENCE ONLY"

QUANTITY	TYPE	DESCRIPTION
3	-	ELECTRIC SERVICE (240V, 100A, SINGLE PHASE) COMPLETE CONTROL PANEL A AND CONTROL PANEL B
3	-	LIGHTING CONTROL AND METERING ON SUPPORT COMPLETE WITH WIRING, CONDUIT, GROUND ROD, EXCAVATION AND FOUNDATION. CONTROL PANEL A AND CONTROL PANEL B
32	TYPE A	LUMINAIRE (TYPE III LIGHT DISTRIBUTION) COMPLETE WITH WIRING, SURGE PROTECTION, FUSES AND SPLICES.
32	ALUMINUM	16 FOOT LIGHT POLE
32	-	LIGHT POLE FOUNDATION COMPLETE WITH EXCAVATION, CONDUIT TO PULLBOX, GROUND WIRE AND GROUND ROD.
54	TYPE 1	PULLBOX
4,100 FT.	-	3-10 AWG WIRING
120 FT.	-	5-10 AWG WIRING
200 FT.	-	3-3 AWG WIRING
275 FT.	1 1/2"	CONDUIT (PUSHED)
1,920 FT.	1 1/2"	CONDUIT (TRENCHED)

7 240V, 3 WIRE 100A SERVICE DETAIL (TYPICAL FOR 3 PLACES)
NOT TO SCALE

EQUIPMENT SCHEDULE

ITEM	DESCRIPTION	PART #
LIGHT FIXTURE TYPE A ①	140 WATT LED STREET LIGHT AND 16" ROUND ALUMINUM POLE WITH HANDHOLE AT 5' MIN. (BACK SIDE) AND HANDHOLE AT BASE (STREET SIDE). LIGHT DISTRIBUTION TYPE III.	LAMP: KIM LIGHTING 1SA/WP9LE3/LSK240/SG/DF/TB/VSF-1SA POLE: WJM MFG. RA6000716-GY(KIM STEALTH GRAY)2-BC-VD
PULLBOX TYPE 1 ② ③	PULLBOX W/COVER LOGO 'LIGHTING',	QUAZITE STRONGWELL: 12"x12" PC1212BA12 W/PC1212CA00 COVER OR APPROVED EQUIVALENT

5 EQUIPMENT MOUNTING FRAME DETAIL
NOT TO SCALE (3 REQUIRED)

NOTES:
1. DIMENSIONS WITH "*" ARE APPROXIMATE. COORDINATE WITH UTILITY COMPANY AND ELECTRICAL CONTRACTOR FOR EXACT DIMENSIONS PER EQUIPMENT REQUIREMENTS.
2. PRIME AND PAINT SURFACES OF PANEL AND FRAME. COLOR TO BE DARK GREEN.

2 CONNECTION DETAIL
NOT TO SCALE

ELECTRICAL NOTES

- ELECTRICAL WORK SHALL BE INSTALLED PER NATIONAL ELECTRICAL CODE.
- EACH CONDUIT SHALL INCLUDE A GROUND UNLESS NOTED OTHERWISE.
- CONDUITS SHALL BE 1 1/2" PVC UNLESS NOTED OTHERWISE.
- WIRE TYPE - USE. (10AWG UNLESS NOTED OTHERWISE)
- COORDINATE LOCATIONS OF ELECTRICAL EQUIPMENT, CONDUIT AND WIRING WITH MIDAMERICAN ENERGY COMPANY, EXISTING SITE CONDITIONS AND CITY OF MOLINE.
- ELECTRICAL DRAWINGS NOT-TO-SCALE. SEE CIVIL DRAWINGS FOR POLE AND EQUIPMENT LOCATIONS, COORDINATE WITH CITY OF MOLINE.
- ELECTRICAL WORK SHALL BE IN ACCORDANCE WITH ILLINOIS DEPARTMENT OF TRANSPORTATION STANDARD SPECIFICATIONS FOR ROAD AND BRIDGE CONSTRUCTION AND ELECTRICAL STANDARDS MANUAL AND THE STREET LIGHTING PLANS. THIS WORK WILL BE MEASURED AS A LUMP SUM ITEM AND PAYMENT WILL BE MADE FOR "ELECTRICAL SYSTEM COMPLETE".



Signature: Justin Valentine
Date: 7/22/12
Exp. Date: 11/30/13