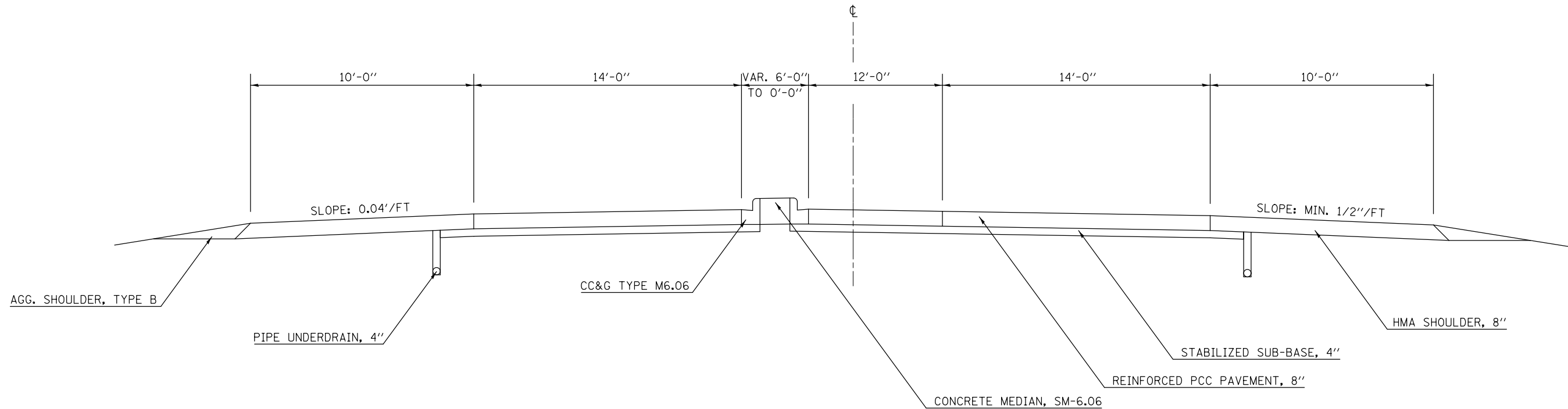


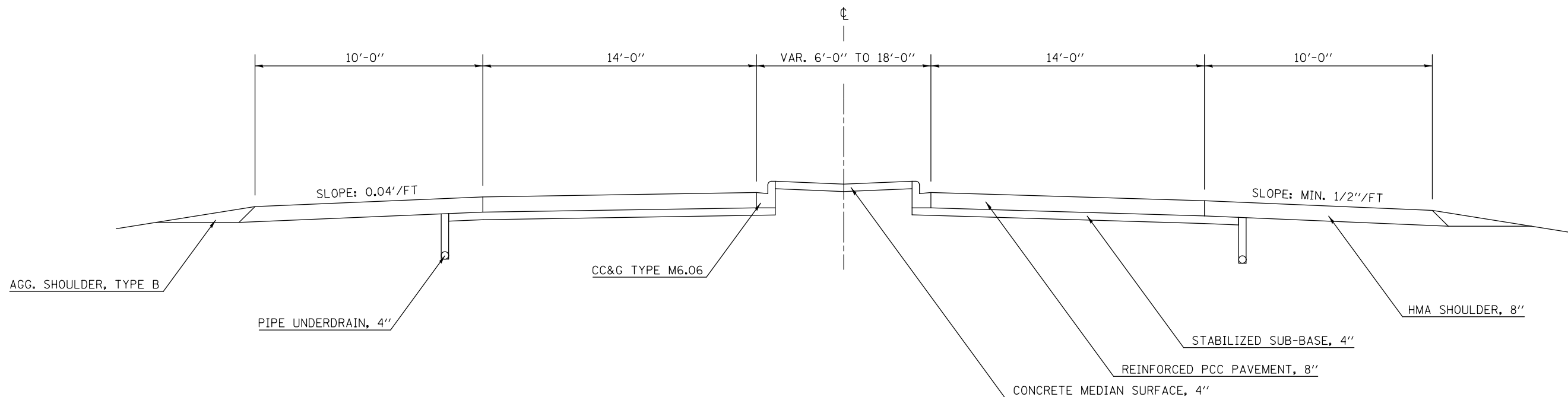
### TYPICAL SECTION 5

FAP 717 (IL 10)  
 STA. 2352+28.93 TO STA. 2352+74.56  
 STA. 2361+17.01 TO STA. 2364+77.84  
 STA. 2372+69.45 TO STA. 2373+29.29  
 OMISSION: STA. 2362+19.98 TO STA. 2363+40.02



### TYPICAL SECTION 6

FAP 717 (IL 10)  
 STA. 2352+28.93 TO STA. 2352+74.56  
 STA. 2361+17.01 TO STA. 2364+77.84  
 STA. 2372+69.45 TO STA. 2373+29.29  
 OMISSION: STA. 2362+19.98 TO STA. 2363+40.02



FILE NAME =	USER NAME = coombessf	DESIGNED -	REVISED -	<b>STATE OF ILLINOIS DEPARTMENT OF TRANSPORTATION</b>	<b>TYPICAL SECTIONS</b>			F.A.P. RTE.	SECTION	COUNTY	TOTAL SHEETS	SHEET NO.
et:\pw\work\p\id\coombessf\d0302169\0570974-Sht-Typical.dgn	DRAWN -	REVISED -	71&717					D5 PATCHING 2013-2	DEWITT	11	6	
PLOT SCALE = 40.0000' / in.	CHECKED -	REVISED -	CONTRACT NO. 70974									
PLOT DATE = 3/27/2012	DATE -	REVISED -	ILLINOIS FED. AID PROJECT									
				SCALE:	SHEET	OF	SHEETS	STA.	TO	STA.		