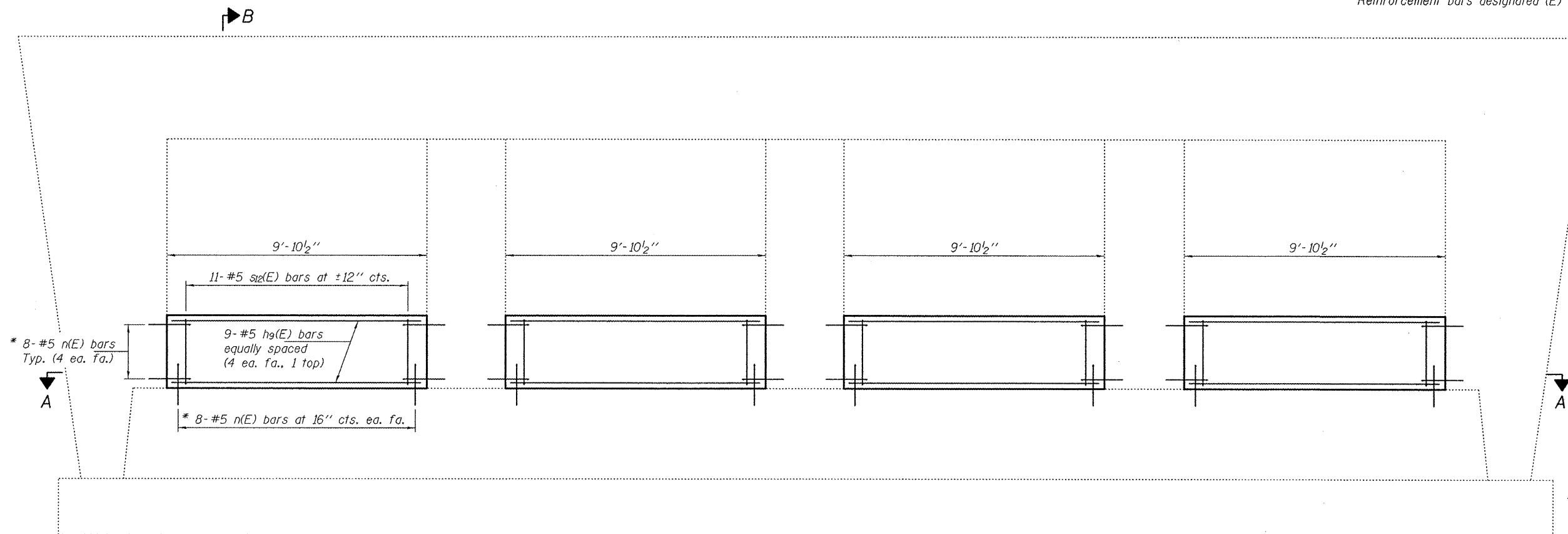


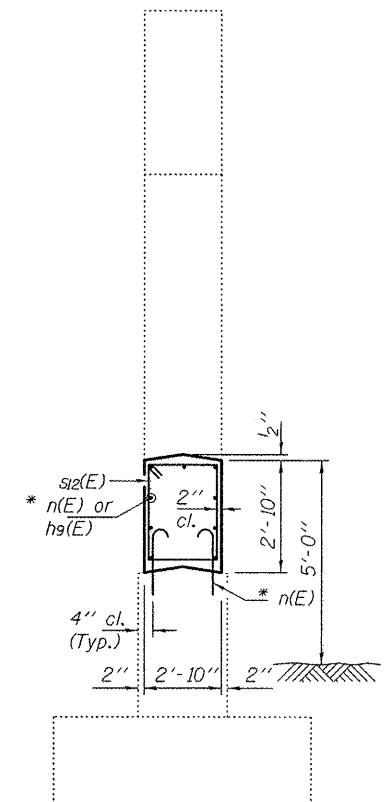
**NOTES**

The cost of epoxy grouting threaded rods shall be included with Reinforcement Bars, Epoxy Coated.

Plan dimensions and details relative to existing plans are subject to nominal construction variations. The Contractor shall field verify existing dimensions and details affecting new construction and make necessary approved adjustments prior to construction or ordering of materials. Such variations shall not be cause for additional compensation for a change in scope of the work, however, the Contractor will be paid for the quantity actually furnished at the unit price bid for the work. Reinforcement bars designated (E) shall be epoxy coated.

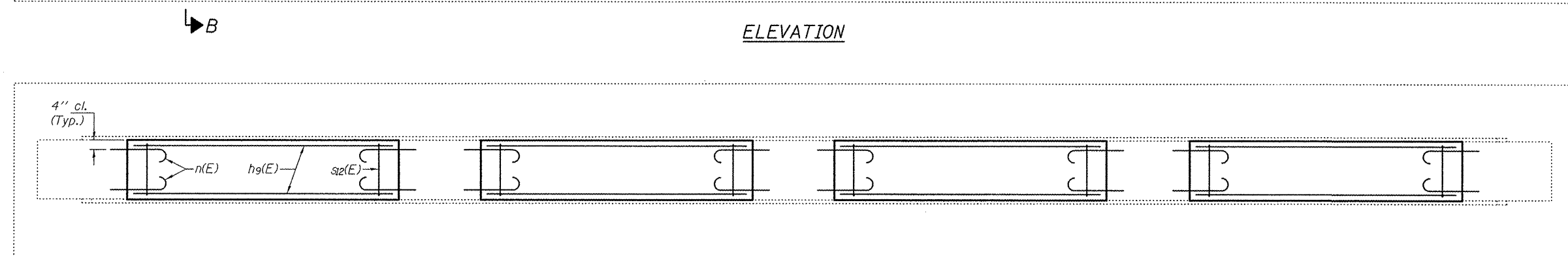


**ELEVATION**



**SECTION B-B**

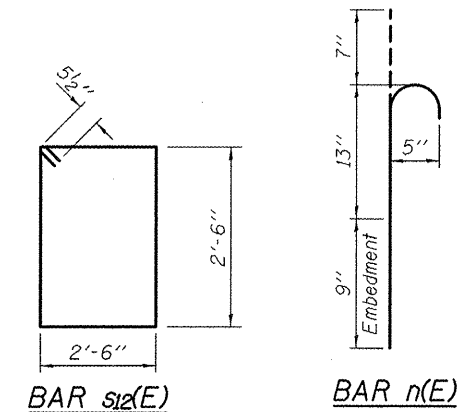
\* Epoxy grout n(E) bars in 9" min. holes according to Article 584 of the Standard Specifications.



**SECTION A-A**

**BILL OF MATERIAL**

Bar	No.	Size	Length	Shape
h9(E)	36	#5	9'-6"	—
n(E)	128	#5	2'-5"	⌋
s2(E)	44	#5	10'-11"	□
Concrete Structures			Cu. Yd.	11.7
Reinforcement Bars, Epoxy Coated			Pound	1180



**BAR s2(E)**

**BAR n(E)**



EXPIRES 11-30-2012

DESIGNED <i>DAB</i>	EXAMINED <i>Jay F. [Signature]</i>	DATE - MAY 1, 2012
CHECKED <i>VP</i>	PASSED <i>[Signature]</i>	REVISED
DRAWN <i>baliva</i>	ACTING ENGINEER OF BRIDGES AND STRUCTURES	REVISED
CHECKED <i>DAB VP</i>		

**STATE OF ILLINOIS  
DEPARTMENT OF TRANSPORTATION**

**PIER CRASHWALL EXTENSION  
SN 032-0093**

SHEET NO. 16 OF 19 SHEETS

F.A.I. RTE. 55	SECTION D3 IMPACT ATTENUATOR 2012-3	COUNTY GRUNDY	TOTAL SHEETS 96	SHEET NO. 25
		CONTRACT NO. 66C01		
ILLINOIS FED. AID PROJECT				