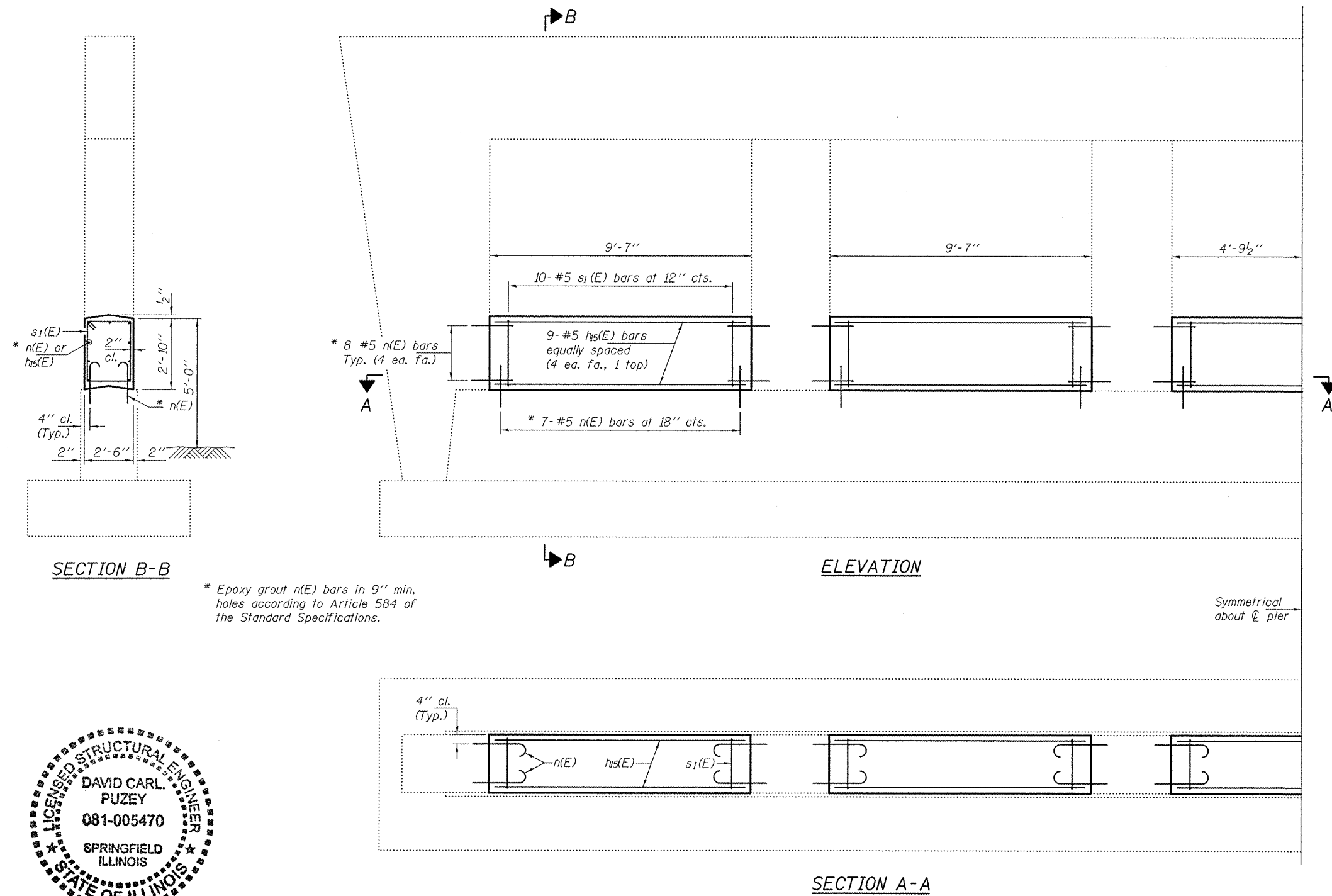


**NOTES**

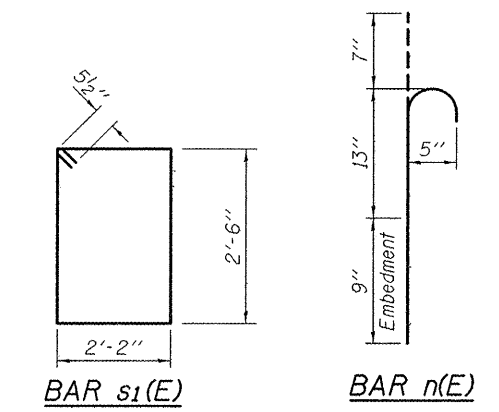
The cost of epoxy grouting threaded rods shall be included with Reinforcement Bars, Epoxy Coated.

Plan dimensions and details relative to existing plans are subject to nominal construction variations. The Contractor shall field verify existing dimensions and details affecting new construction and make necessary approved adjustments prior to construction or ordering of materials. Such variations shall not be cause for additional compensation for a change in scope of the work, however, the Contractor will be paid for the quantity actually furnished at the unit price bid for the work.

Reinforcement bars designated (E) shall be epoxy coated.

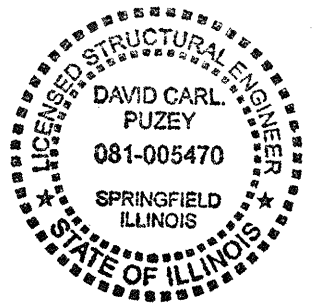


Symmetrical about  $\phi$  pier



**BILL OF MATERIAL**

Bar	No.	Size	Length	Shape
hs(E)	45	#5	9'-3"	—
n(E)	150	#5	2'-5"	⌋
s1(E)	50	#5	10'-3"	□
Concrete Structures			Cu. Yd.	12.6
Reinforcement Bars, Epoxy Coated			Pound	1350



DESIGNED <i>DAB</i>	EXAMINED <i>John F. J...</i>	DATE - MAY 1, 2012	<b>STATE OF ILLINOIS DEPARTMENT OF TRANSPORTATION</b>	<b>PIER CRASHWALL EXTENSION SN 053-0115</b>	F.A.I. RTE. 55	SECTION D3 IMPACT ATTENUATOR 2012-3	COUNTY LIVINGSTON	TOTAL SHEETS 96	SHEET NO. 13	
CHECKED <i>VP</i>	PASSED <i>John Carl Puzey</i>	REVISED			SHEET NO. 4 OF 19 SHEETS		CONTRACT NO. 66C01			
DRAWN <i>baliva</i>	ACTING ENGINEER OF BRIDGES AND STRUCTURES	REVISED			ILLINOIS FED. AID PROJECT					
CHECKED <i>DAB VP</i>										