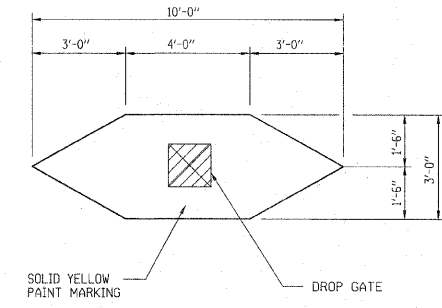
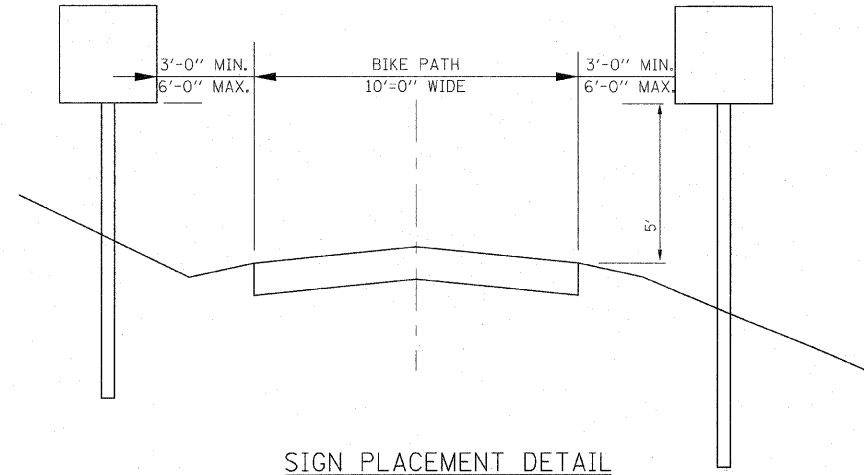


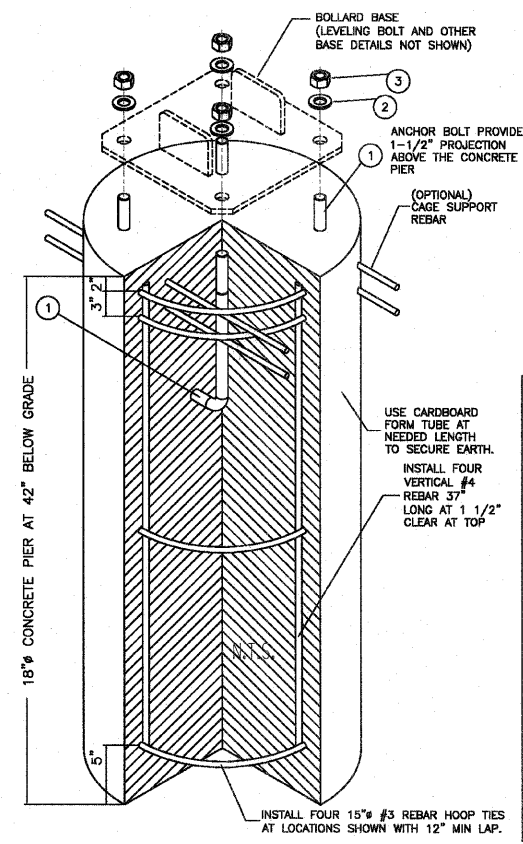
PAVEMENT MARKING DETAIL



DROP GATE MARKING DETAIL
N.T.S.



SIGN PLACEMENT DETAIL



DROP GATE INSTALLATION DETAIL

FILE NAME = #FILE#



| | | |
|----------------------|---------------------|-----------|
| USER NAME = #USER# | DESIGNED <i>JIF</i> | REVISED - |
| PLOT SCALE = #SCALE# | DRAWN <i>KJB</i> | REVISED - |
| PLOT DATE = #DATE# | CHECKED <i>DDL</i> | REVISED - |
| \$TIME# | DATE 4/10/12 | REVISED - |

ILLINOIS DEPARTMENT OF TRANSPORTATION
DIVISION OF HIGHWAYS

MISCELLANEOUS DETAILS

SCALE: 1" = 50 FT SHEET NO. OF SHEETS STA. TO STA.

| | | | | |
|---|----------------|--------|--------------|-----------|
| F.A.P. RTE. | SECTION | COUNTY | TOTAL SHEETS | SHEET NO. |
| | 08-F3000-10-BT | DUPAGE | 20 | 8 |
| CONTRACT NO. 63710 | | | | |
| FED. ROAD DIST. NO. 1 ILLINOIS FED. AID PROJECT | | | | |