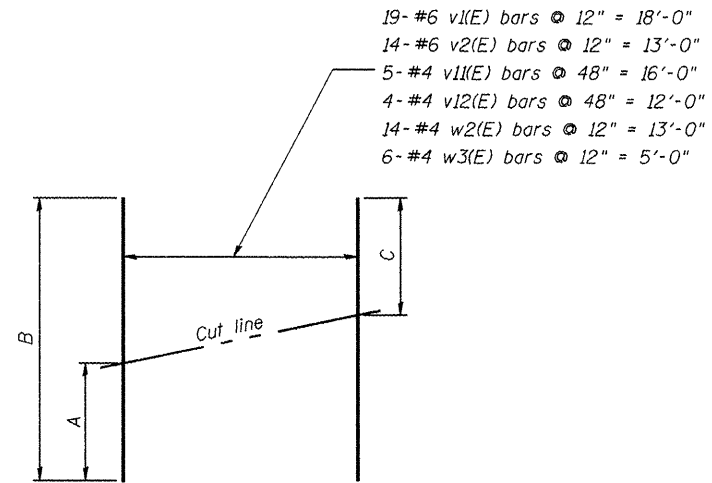


BAR d1(E), d2(E), and s1(E)

BAR BEND TABLE

Bar	A	B
d ₁ (E)	2'-0"	2'-4"
d ₂ (E)	1'-0"	3'-11"
s ₁ (E)	7'-9"	16'-8"



FIELD CUTTING DIAGRAM

* Order v1(E), v2(E), w2(E), & w3(E) bars full length. Cut to fit and use the remainder of bars for South End Section.

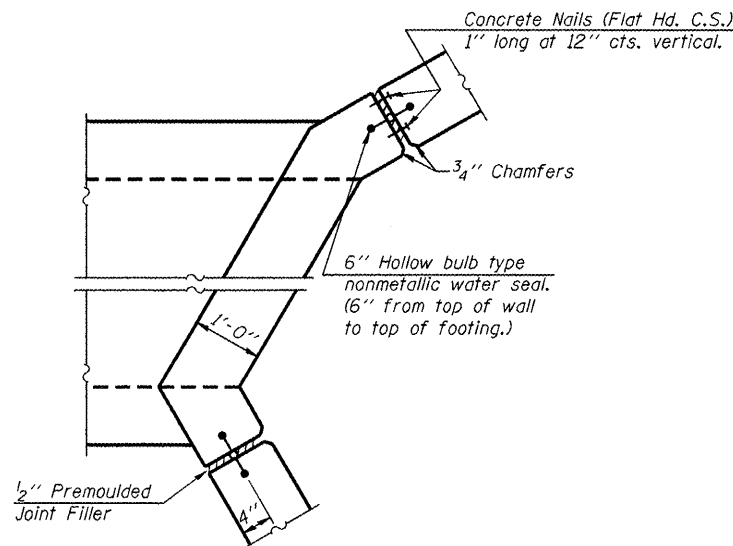
- 19- #6 v1(E) bars @ 12" = 18'-0"
- 14- #6 v2(E) bars @ 12" = 13'-0"
- 5- #4 v1(E) bars @ 48" = 16'-0"
- 4- #4 v2(E) bars @ 48" = 12'-0"
- 14- #4 w2(E) bars @ 12" = 13'-0"
- 6- #4 w3(E) bars @ 12" = 5'-0"

	A	B	C
v ₁ (E)	6'-5"	17'-7"	6'-5"
v ₂ (E)	6'-5"	17'-7"	6'-5"
v ₁₁ (E)	6'-5"	17'-7"	6'-5"
v ₁₂ (E)	6'-5"	17'-7"	6'-5"
w ₂ (E)	1'-2"	11'-4"	1'-2"
w ₃ (E)	1'-11"	10'-10"	1'-11"

BILL OF MATERIAL

Bar	No.	Size	Length	Shape
d ₁ (E)	6	#4	28'-3"	┌───┐
d ₂ (E)	2	#6	27'-1"	┌───┐
d ₃ (E)	2	#6	25'-6"	┌───┐
d ₄ (E)	2	#6	23'-11"	┌───┐
d ₅ (E)	2	#6	22'-4"	┌───┐
d ₆ (E)	2	#6	20'-9"	┌───┐
d ₇ (E)	2	#6	19'-1"	┌───┐
d ₈ (E)	2	#6	17'-6"	┌───┐
d ₁ (E)	56	#4	4'-4"	┌──┐
d ₂ (E)	33	#6	4'-11"	┌──┐
h ₁ (E)	6	#4	18'-10"	┌───┐
h ₂ (E)	18	#4	18'-8"	┌───┐
h ₃ (E)	6	#4	13'-4"	┌───┐
h ₄ (E)	18	#4	13'-2"	┌───┐
s ₁ (E)	8	#4	23'-11"	┌───┐
v ₁ (E)	19	#6	17'-7"	┌───┐
v ₂ (E)	14	#6	17'-7"	┌───┐
v ₁₁ (E)	5	#4	17'-7"	┌───┐
v ₁₂ (E)	4	#4	17'-7"	┌───┐
w ₁ (E)	32	#4	10'-8"	┌───┐
w ₂ (E)	14	#6	11'-4"	┌───┐
w ₃ (E)	6	#6	10'-10"	┌───┐
** Concrete Structures			Cu. Yd.	33.1
** Reinforcement Bars, Epoxy Coated			Pound	3,160

** Included for bidding purposes. Included in the cost of Box Culvert End Sections, Culvert No. 1



CORNER DETAIL

COMPANY NAME: HRGreen.com
 PROJECT CONTACT: HRGreen.com
 CLIENT: HRGreen.com
 DATE PLOTTED: 3/19/2012 10:16:55 AM
 FILE NAME: 86000986.ZP-62317-0104.dwg
 PLOT DRIVER: pdf.plt
 PLOT TABLE: STRUCT_29x34.tbl

HRGreen.com
 #184-001322

USER NAME =	DESIGNED - JPG	REVISED
CHECKED - JPG	REVISED	
PLOT SCALE =	DRAWN - JPG	REVISED
PLOT DATE =	CHECKED - RGD	REVISED

STATE OF ILLINOIS
 DEPARTMENT OF TRANSPORTATION

NORTH END SECTION DETAILS
 STRUCTURE NO. 016-2826
 SHEET NO. 5 OF 8 SHEETS

F.A. RTE.	SECTION	COUNTY	TOTAL SHEETS	SHEET NO.
344	102Y-A-B	COOK	31	16
ILLINOIS FED. AID PROJECT			CONTRACT NO. 62339	