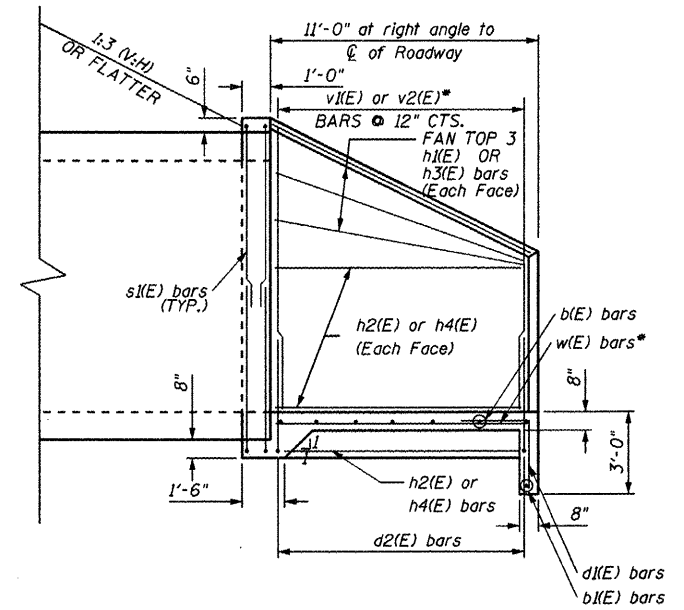
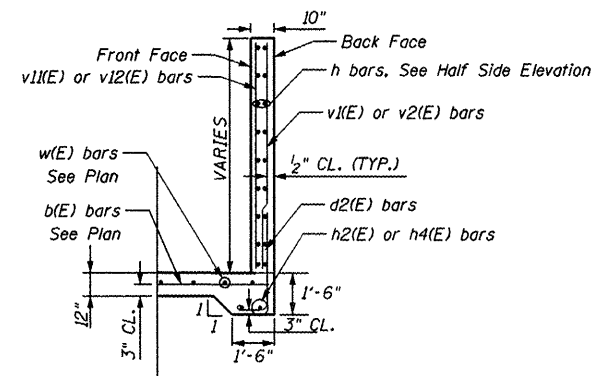


**END ELEVATION
(LOOKING SOUTH)**

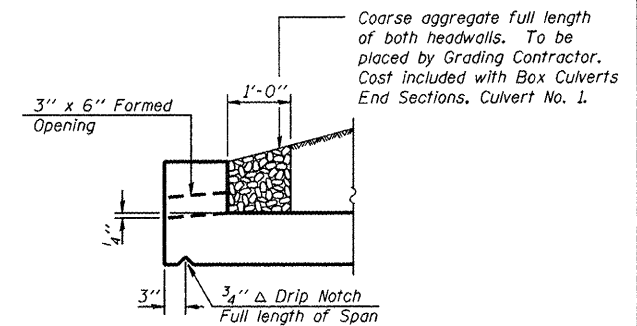
- * CUT TO FIT SEE BAR CUTTING DIAGRAM
- ** BEND IN FIELD
- *** MEASURED ALONG FRONT FACE



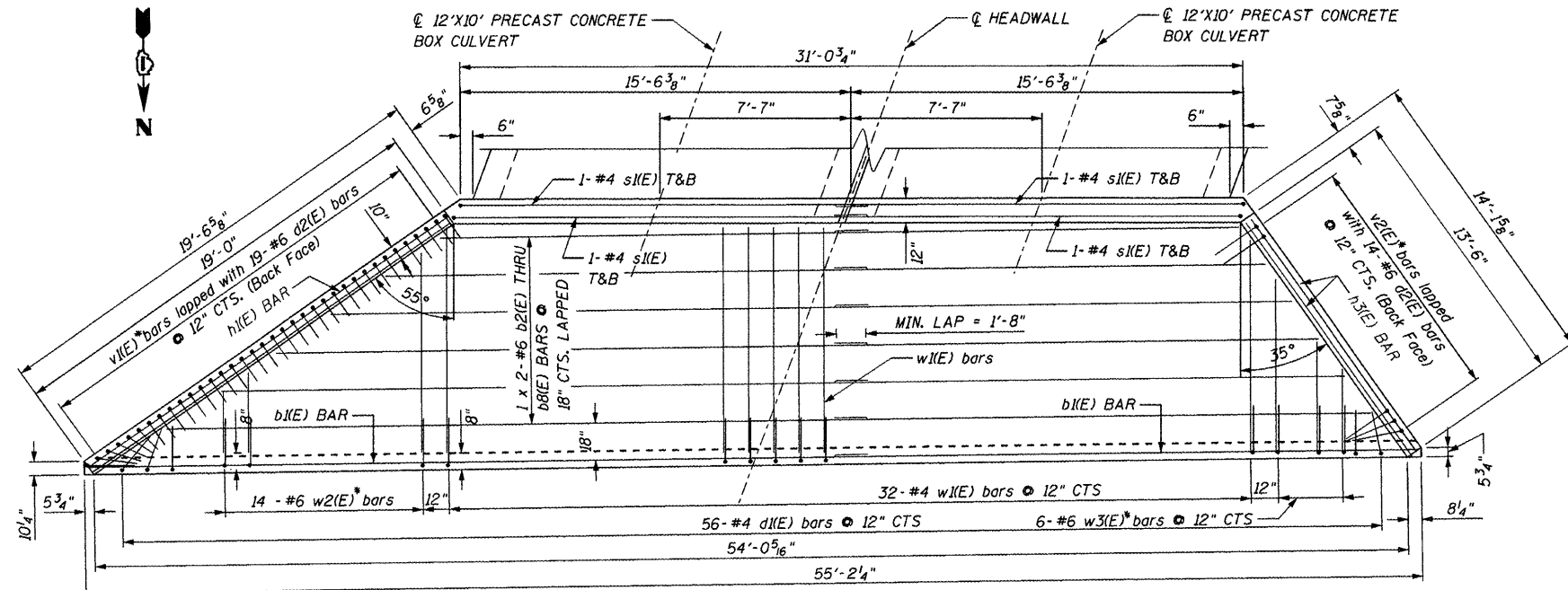
HALF SIDE ELEVATION



WALL ELEVATION



**DRAIN DETAIL
AT DOWNSTREAM END**



PLAN

NOTES:

Reinforcement bars designated (E) shall be epoxy coated.
 Bars indicated thus 3x2 - #5 etc. indicates 3 lines of bars with 2 lengths per line.
 Bars cut from v1(E), v2(E), w2(E), and w3(E) shall be saved for the south end section.

MIN. BAR LAPS

#4	1'-8"
#6	2'-7"

COMPANY NAME: HRGreen.com
 PROJECT CONTACT: HRGreen.com
 CLIENT: HRGreen.com
 DATE PLOTTED: 3/15/2012 10:17:27 AM
 FILE NAME: 86100196-22-62337-C003.dgn
 PLOT DRIVER: pdfcpl
 PEN TABLE: Struct_22x34.tbl



USER NAME =	DESIGNED - JPG	REVISED
CHECKED - JPG	CHECKED - JPG	REVISED
PLOT SCALE =	DRAWN - JPG	REVISED
PLOT DATE =	CHECKED - RGD	REVISED

**STATE OF ILLINOIS
DEPARTMENT OF TRANSPORTATION**

**NORTH END SECTION DETAILS
STRUCTURE NO. 016-2826**

SHEET NO. 4 OF 8 SHEETS

F.A. RTE.	SECTION	COUNTY	TOTAL SHEETS	SHEET NO.
344	102Y-A-B	COOK	31	15
CONTRACT NO. 62339			ILLINOIS FED. AID PROJECT	