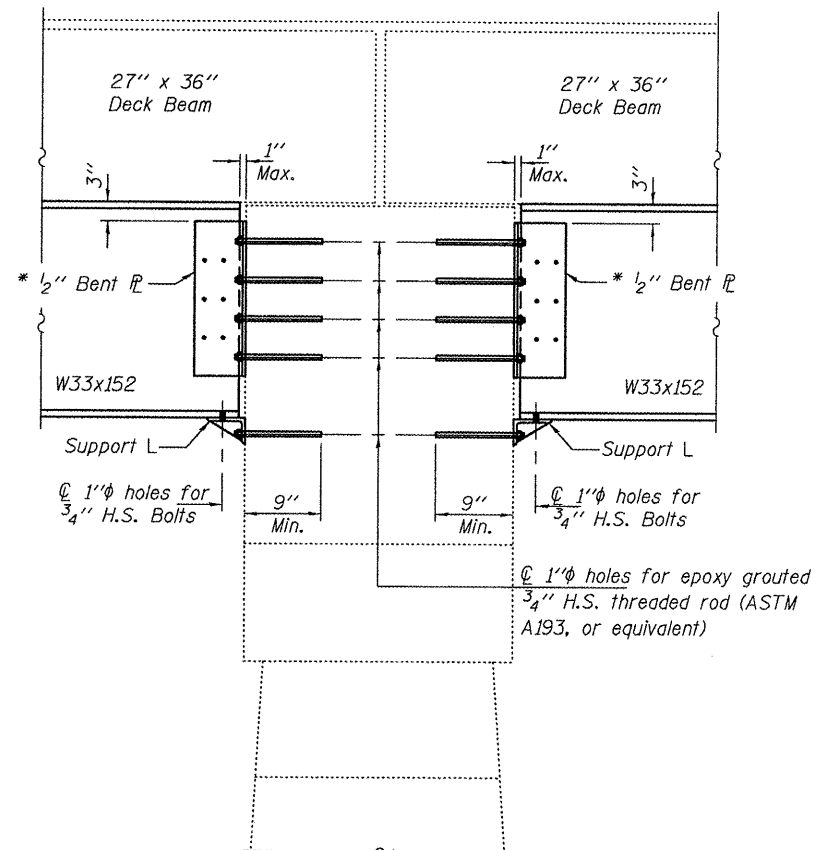
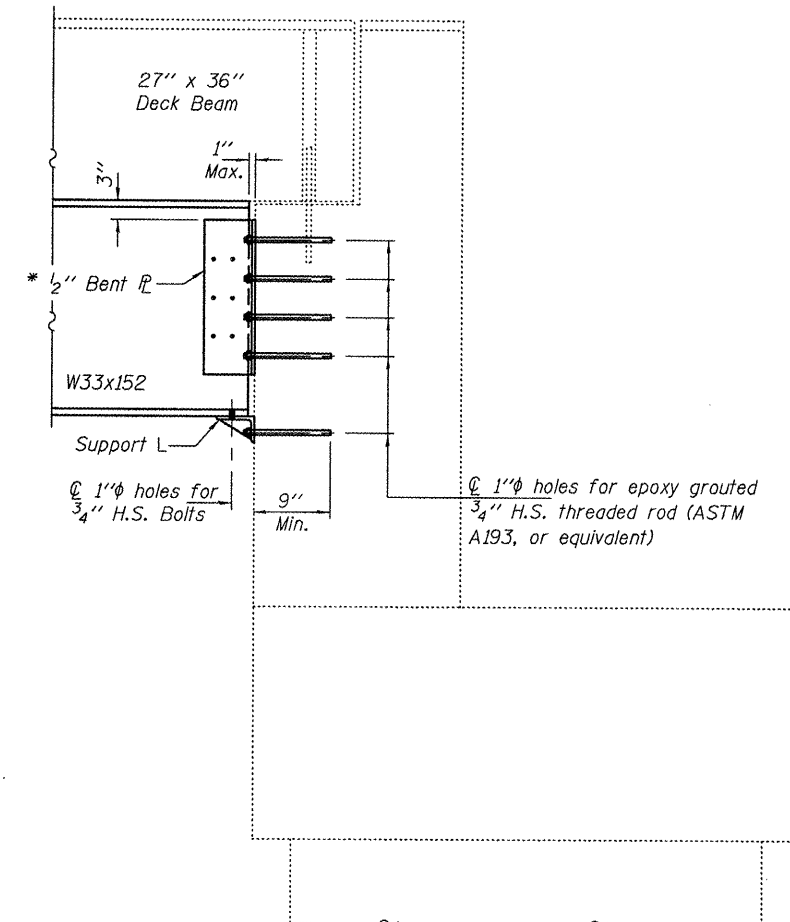


**SECTION THRU SPAN 2,
BEAM 5 & SPAN 4, BEAM 8**

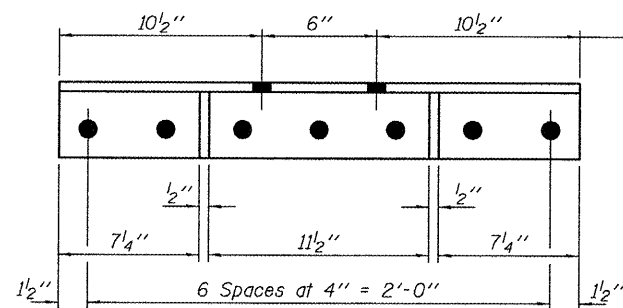


TYPICAL PIER 1 AND 4 SECTION

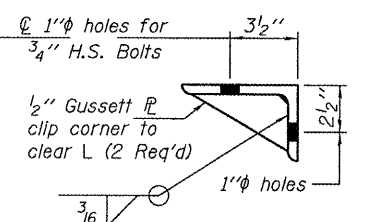


TYPICAL PIER 2 AND 3 SECTION

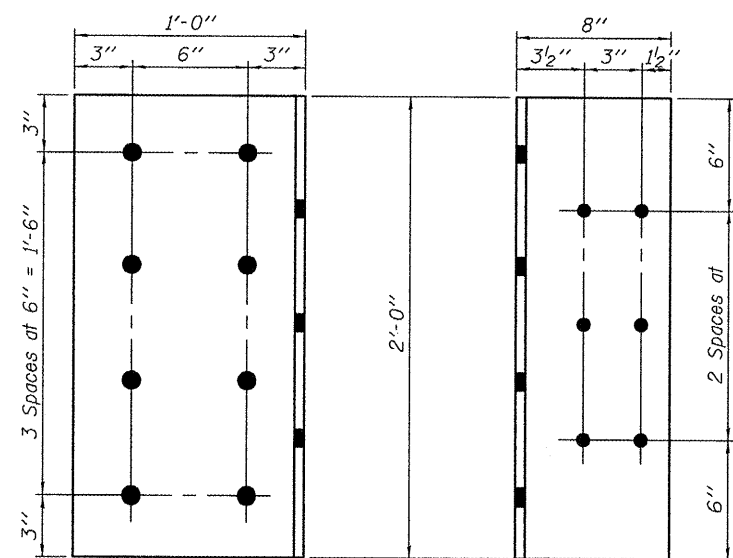
* Where necessary remove loose concrete in areas where Bent PL's are to be placed. Non-shrink grout shall be placed in order to ensure proper sitting of the bent PL's. Cost of loose concrete removal and grout is included in the cost of Furnishing and Erecting Structural Steel



TYPICAL SUPPORT L DETAIL
L 8 x 6 x 3/4 x 2'-3" (4 Req'd)



TYPICAL SUPPORT L SECTION



BENT PL DETAILS
PL 1/2" x 1'-8" x 2'-0"
(8 Required)

DESIGNED - DAB
CHECKED - VHV
DRAWN - Kyle M. Steffen
CHECKED - DAB VHV

EXAMINED
PASSED
ACTING ENGINEER OF STRUCTURAL SERVICES
ACTING ENGINEER OF BRIDGES AND STRUCTURES

DATE - MAY 22, 2012

STATE OF ILLINOIS
DEPARTMENT OF TRANSPORTATION

REPAIR DETAILS
SN 016-0934

SHEET NO. 2 OF 2 SHEETS

F.A.P. RTE.	SECTION	COUNTY	TOTAL SHEETS	SHEET NO.
358	2012-032BR	COOK	10	9
CONTRACT NO.				

ILLINOIS FED. AID PROJECT