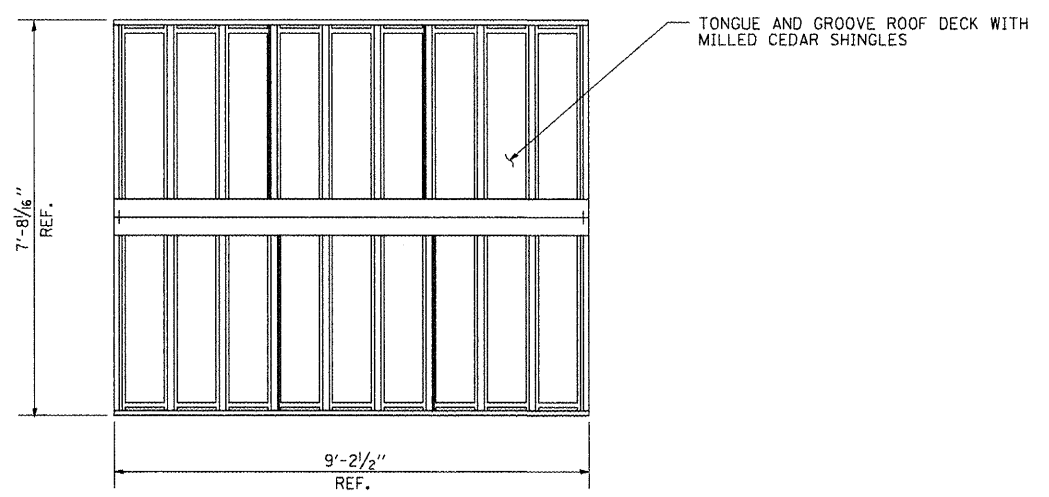
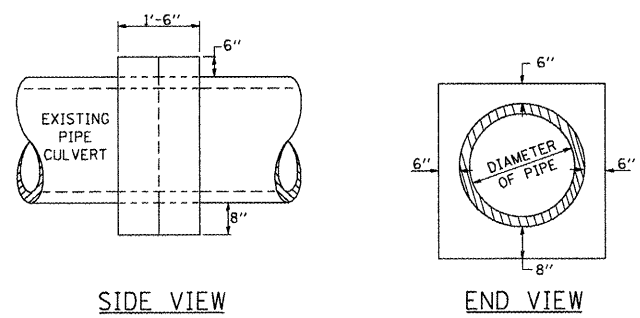


TRANSITION DETAIL

COST TO GRADE EXISTING AGGREGATE IS INCLUDED IN PREPARATION OF BASE



ROOF PLAN



SIDE VIEW

END VIEW

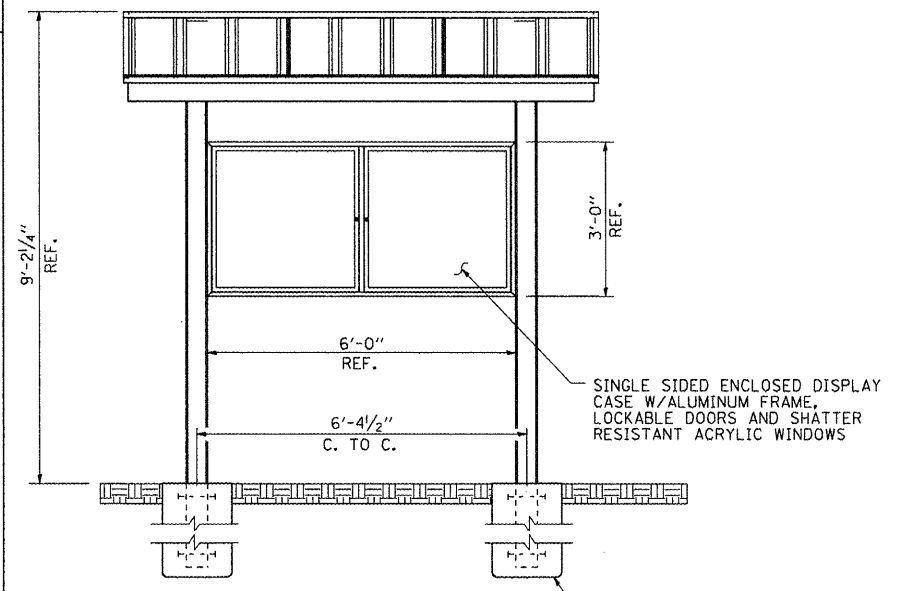
TABULATION

DIAMETER OF PIPE	CL SI CONC CU YDS EST
12"	0.24
15"	0.29
18"	0.32
24"	0.44
30"	0.56
36"	0.66
42"	0.80
48"	0.93
54"	1.07
60"	1.22
72"	1.55

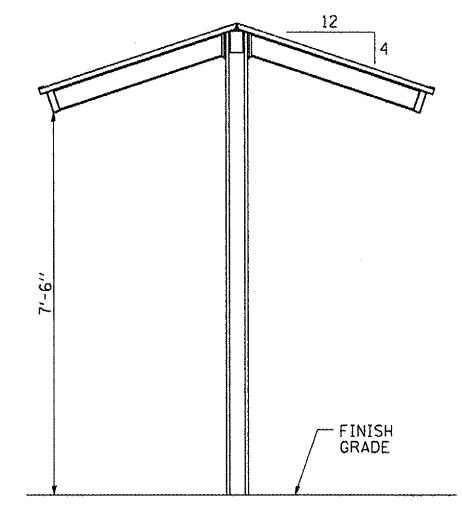
THE CONCRETE COLLAR SHALL BE PAID FOR AT THE CONTRACT UNIT PRICE PER CUBIC YARD FOR CONCRETE COLLAR, AS SHOWN ON THE PLANS, WHICH PRICE SHALL INCLUDE THE REMOVAL OF SUCH PORTIONS THE EXISTING HEADWALLS AS MAY BE REQUIRED.
CLASS SI CONCRETE SHALL BE USED THROUGHOUT.

DETAILS OF CONCRETE COLLAR

PIPE TO PIPE



FRONT ELEVATION



SIDE VIEW

TYPICAL KIOSK DETAILS

NO SCALE

FILE NAME = L:\1001\1106610\W0_4\Draw\CADD_Sheets\0346211-shs-details.001.dgn	USER NAME = OpenH&B Springfield	DESIGNED - MJO	REVISED -
PLOT SCALE = 6.0000 / IN.	PLOT DATE = 3/29/2012	DRAWN - RAH	REVISED -
		CHECKED - BJD	REVISED -
		DATE - 3/30/12	REVISED -

**STATE OF ILLINOIS
DEPARTMENT OF TRANSPORTATION**

**MISCELLANEOUS CONSTRUCTION DETAILS
IDNR HENNEPIN CANAL LOCK 21 PARK SITE**

SCALE: N.T.S. SHEET NO. 1 OF 1 SHEETS STA. TO STA.

F.A. RTE.	SECTION	COUNTY	TOTAL SHEETS	SHEET NO.
	PARK ROADS	BUREAU	28	28
			CONTRACT NO. 46211	
ILLINOIS FED. AID PROJECT				