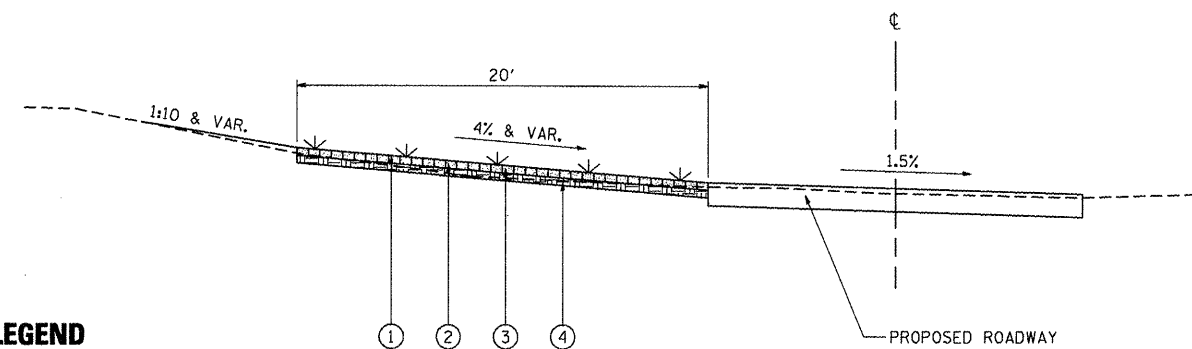


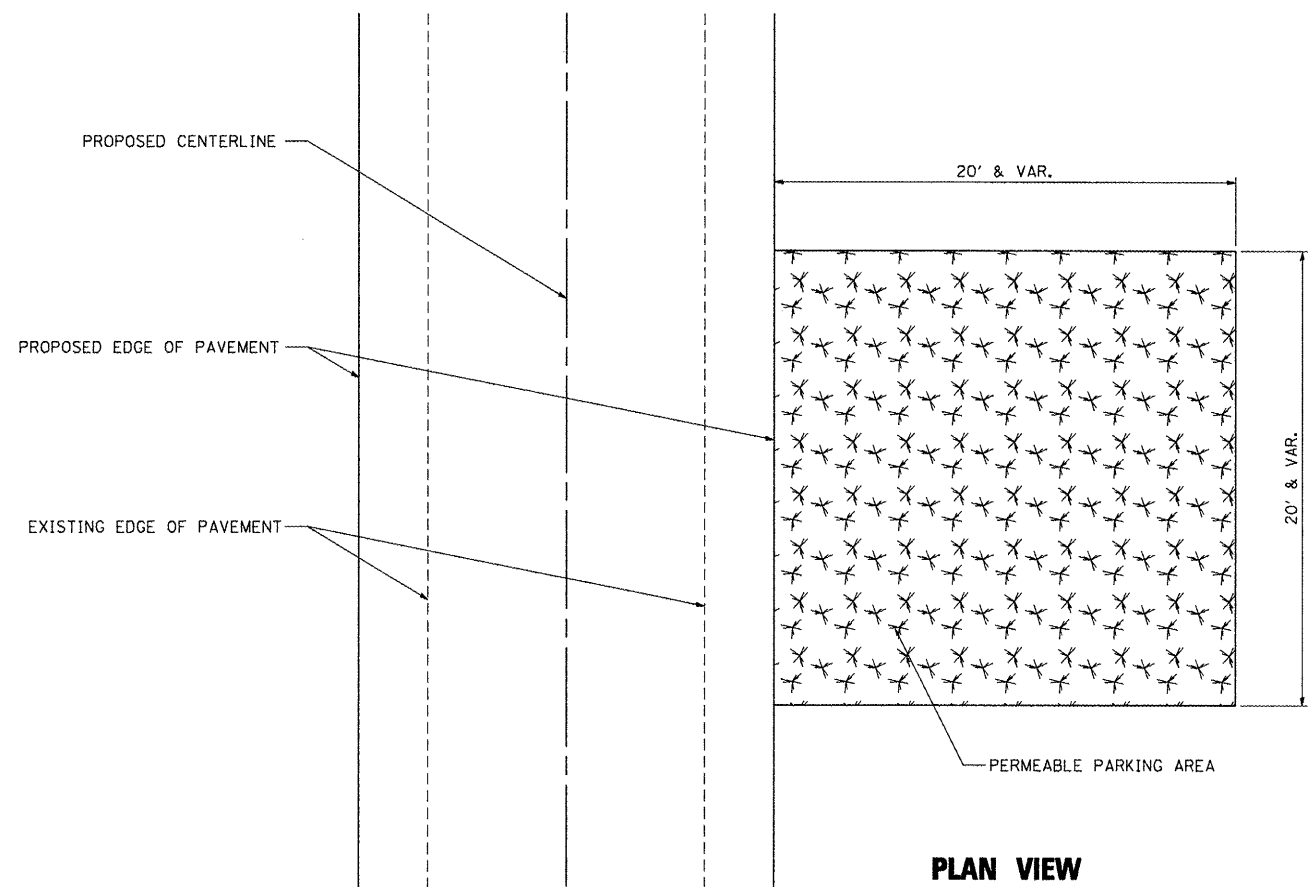
**TYPICAL #1**



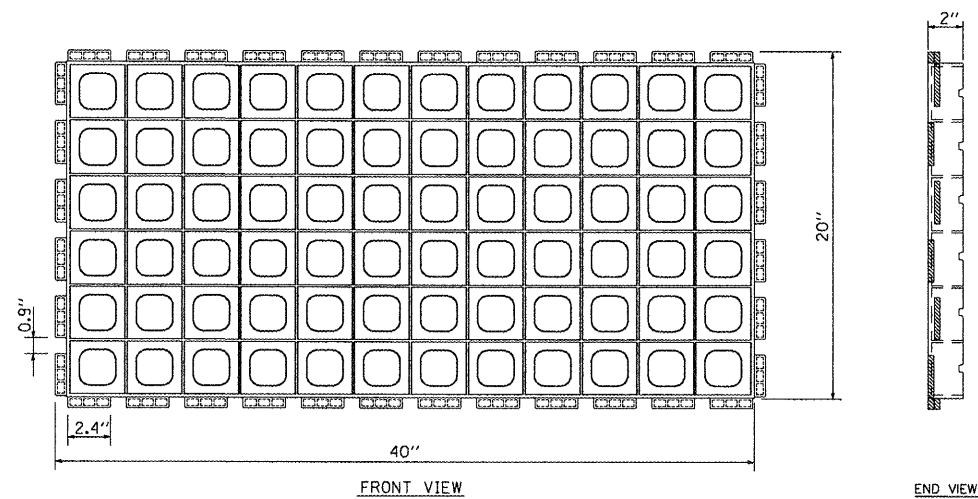
**TYPICAL #2**

**PROPOSED LEGEND**

- ① SEEDING, CLASS 1
- ② GEOTECHNICAL REINFORCEMENT
- ③ TOPSOIL EXCAVATION AND PLACEMENT (2")
- ④ PREPARED SUBGRADE

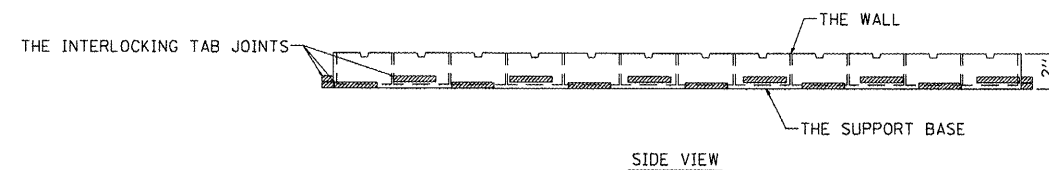


**PLAN VIEW**



**FRONT VIEW**

**END VIEW**



**SIDE VIEW**

**GEOTECHNICAL REINFORCEMENT DETAILS**

FILE NAME =	USER NAME = OpenH&B Springfield	DESIGNED - MJO	REVISED -
L:\ID01\106610\W0_4\Draw\CADD_Sheets\046211-shtr\details_001.dgn		DRAWN - RAH	REVISED -
		CHECKED - BJD	REVISED -
		DATE - 3/30/12	REVISED -

**STATE OF ILLINOIS  
DEPARTMENT OF TRANSPORTATION**

**PERMEABLE PARKING DETAIL  
IDNR HENNEPIN CANAL LOCK 21 PARK SITE**

SCALE: N.T.S. SHEET NO. 1 OF 1 SHEETS STA. TO STA.

F.A. RTE.	SECTION	COUNTY	TOTAL SHEETS	SHEET NO.
	PARK ROADS	BUREAU	28	25
		CONTRACT NO.	46211	
ILLINOIS FED. AID PROJECT				