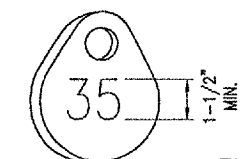
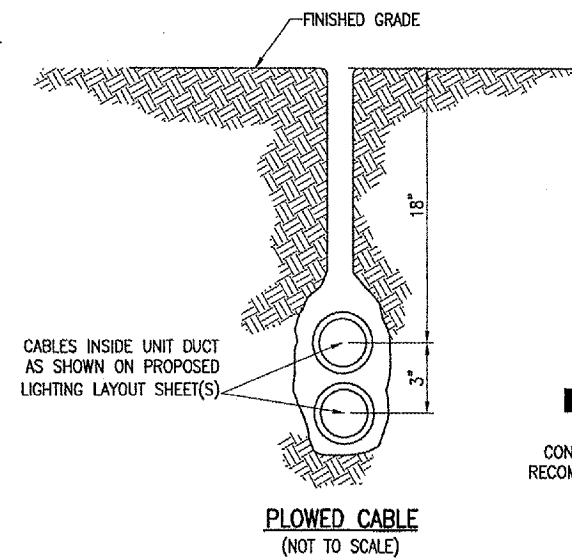
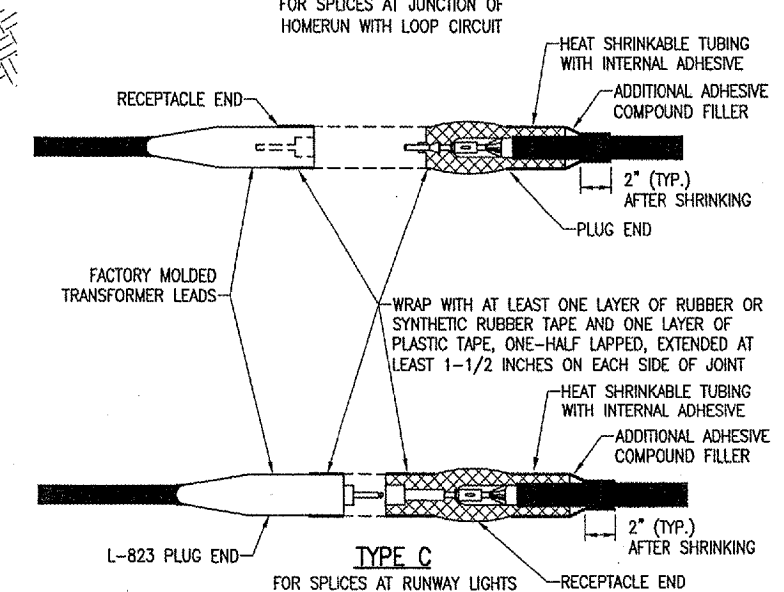
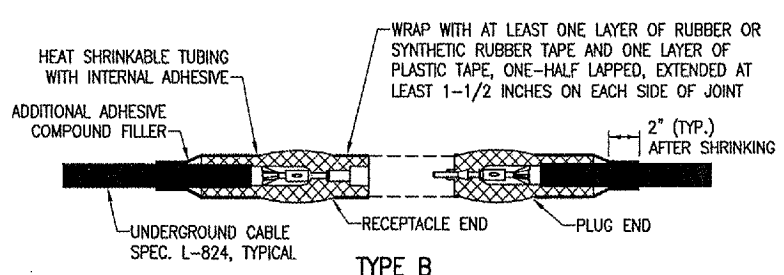
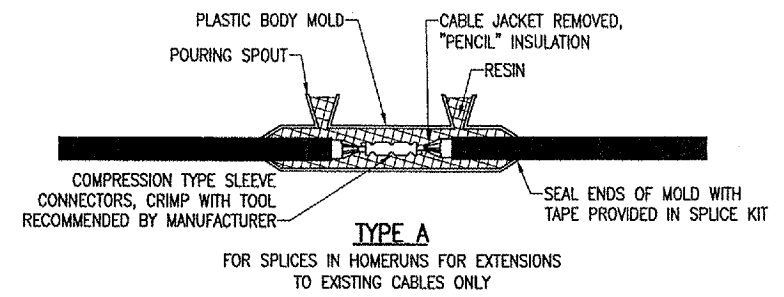


**NOTES:**  
 DETAIL NUMBERS INDICATE NO. OF CABLES.  
 TRENCHES WITH MORE THAN SEVEN CABLES SHALL BE INCREASED 3" IN WIDTH FOR EACH ADDITIONAL CABLE; IF SPECIFIED ON PLANS TWO PARALLEL TRENCHES MAY BE CONSTRUCTED.  
 DEPTH OF TRENCHES SHALL BE AS SHOWN ABOVE UNLESS OTHERWISE SPECIFIED ON THE PLANS.  
 ALL DISTURBED SURFACES SHALL BE RESTORED TO THEIR ORIGINAL CONDITION. COST IS INCIDENTAL TO TRENCH.

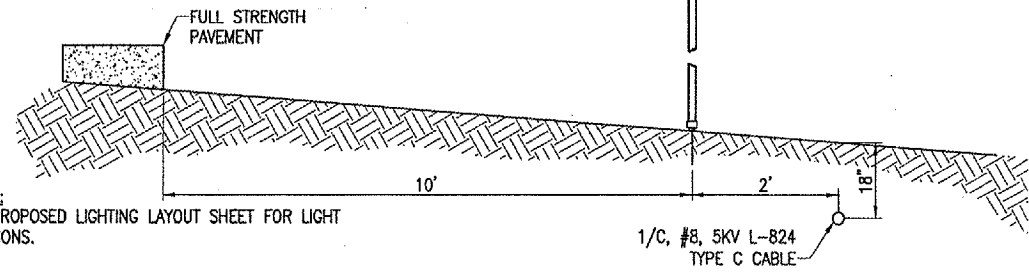
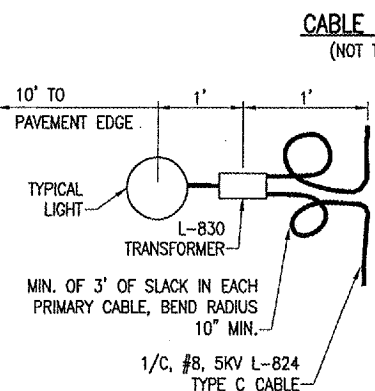
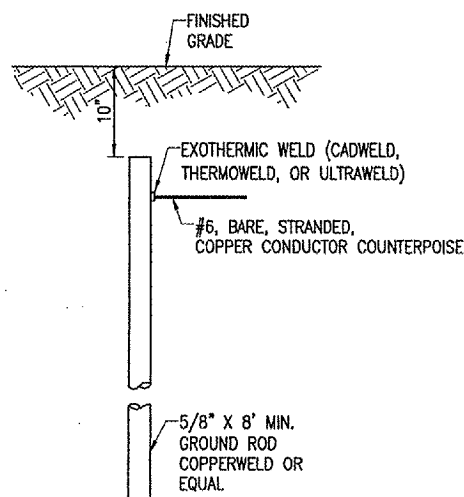


**NOTE:**  
 AFFIX NON-CORROSIVE TAG TO FIXTURE FACING RUNWAY WITH SET SCREW, WIRE TIE, OR METAL BAND. NUMERALS SHALL BE ENGRAVED FOR PERMANENT READABILITY.



**NOTES:**  
 SEE PROPOSED LIGHTING LAYOUT SHEET(S) FOR SPLICE TYPE.  
 INSIDE DIAMETER OF CONNECTOR SHALL PROPERLY MATCH THE OUTSIDE DIAMETER OF CABLE.

**CABLE SPLICES**  
 (NOT TO SCALE)



**PROFILE VIEW**

**PLAN VIEW**

**LIGHT AND CABLE INSTALLATION DETAIL**  
 (NOT TO SCALE)

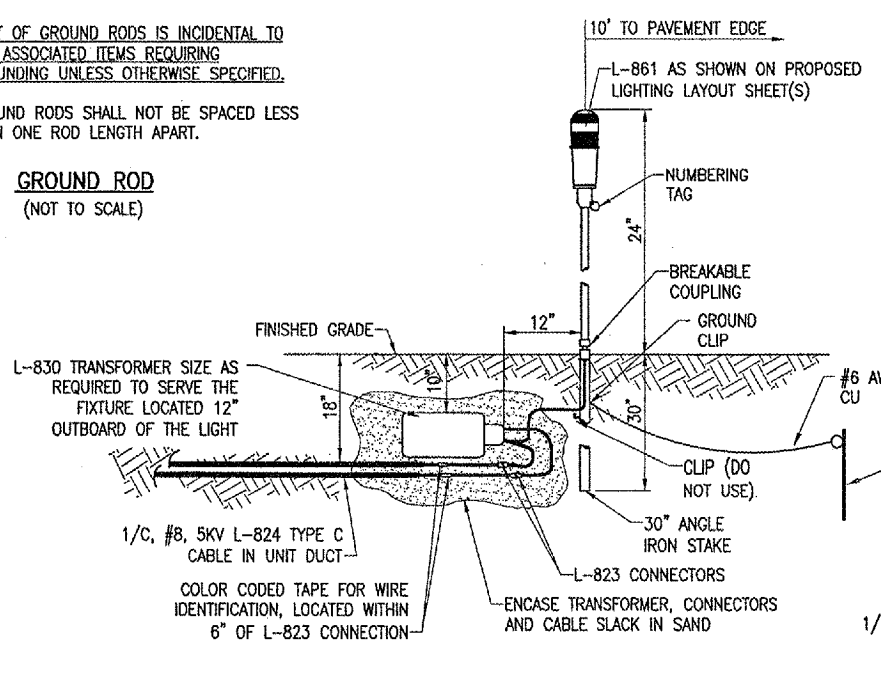
**NOTES:**  
 TYPE AND MINIMUM NUMBER OF GROUND RODS SHALL BE AS SPECIFIED ON THE PLAN.

THE RESISTANCE TO GROUND OF THE COUNTERPOISE GROUNDING SYSTEM SHALL NOT EXCEED 25 OHMS.

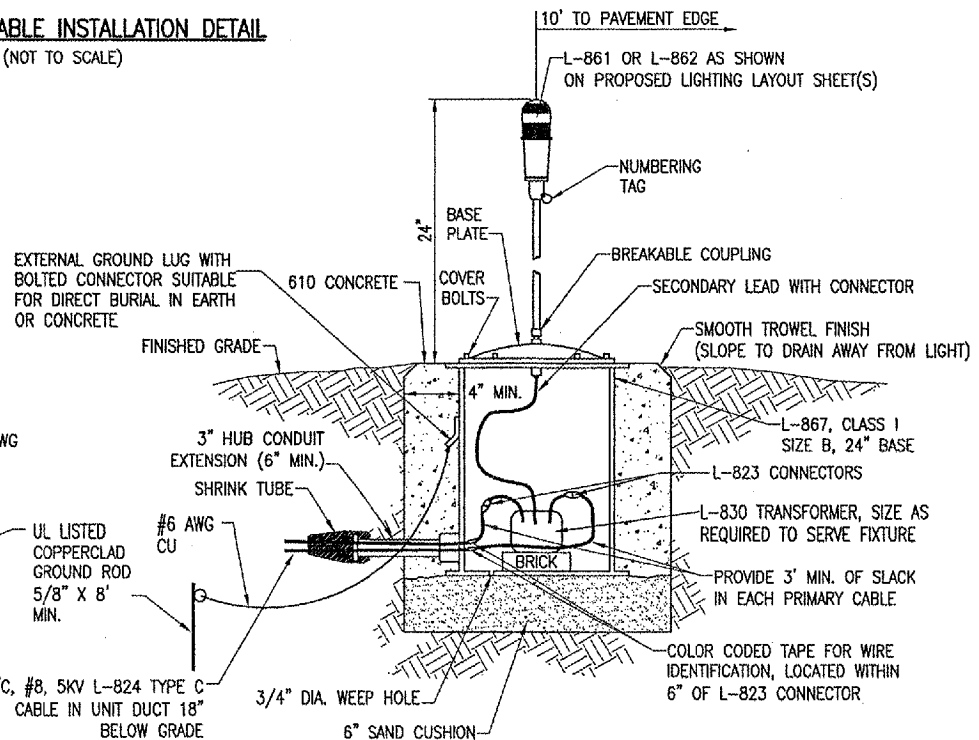
COST OF GROUND RODS IS INCIDENTAL TO THE ASSOCIATED ITEMS REQUIRING GROUNDING UNLESS OTHERWISE SPECIFIED.

GROUND RODS SHALL NOT BE SPACED LESS THAN ONE ROD LENGTH APART.

**GROUND ROD**  
 (NOT TO SCALE)



**MEDIUM INTENSITY LIGHT - STAKE MOUNTED**  
 (NOT TO SCALE)



**MEDIUM/HIGH INTENSITY LIGHT - BASE MOUNTED**  
 (NOT TO SCALE)

BY	
REVISION	
DATE	

CARMi MUNICIPAL AIRPORT  
 CARMi, ILLINOIS

REV. Project No.	801-07TXD.0800
Drawn	R-542ELE.DWG
Scale	NOT TO SCALE
Date	11/16/06
LAYOUT	SEP 11/16/06
DRAWN	CCC 11/16/06
REVIEWED	CAH 03/27/07

**HANSON**  
 Hanson Professional Services Inc.  
 1925 South Sixth Street  
 Springfield, Illinois 62703-2886  
 Offices Nationwide

EXTEND PARTIAL  
 PARALLEL TAXIWAY

ELECTRICAL DETAILS

APR 27, 2007 7:47 AM BAK  
 I:\AIRPORTS\CARMi\801-07TXD\AIRPORT\_SHEETS\R-542ELE.DWG - ELEC DETAILS