

REVISION	DATE

BY  
DATE

**CARMi MUNICIPAL AIRPORT  
CARMi, ILLINOIS**

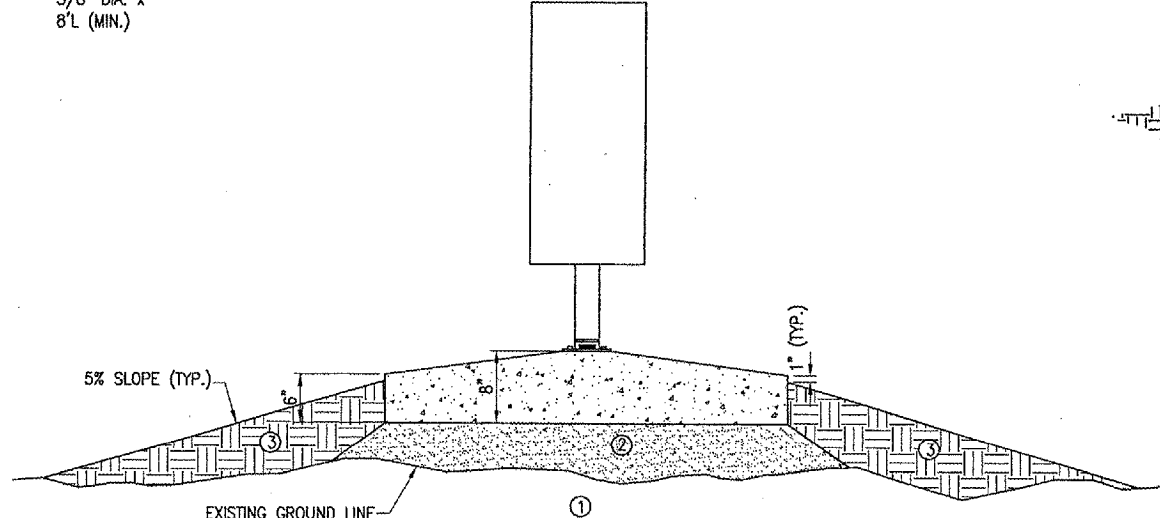
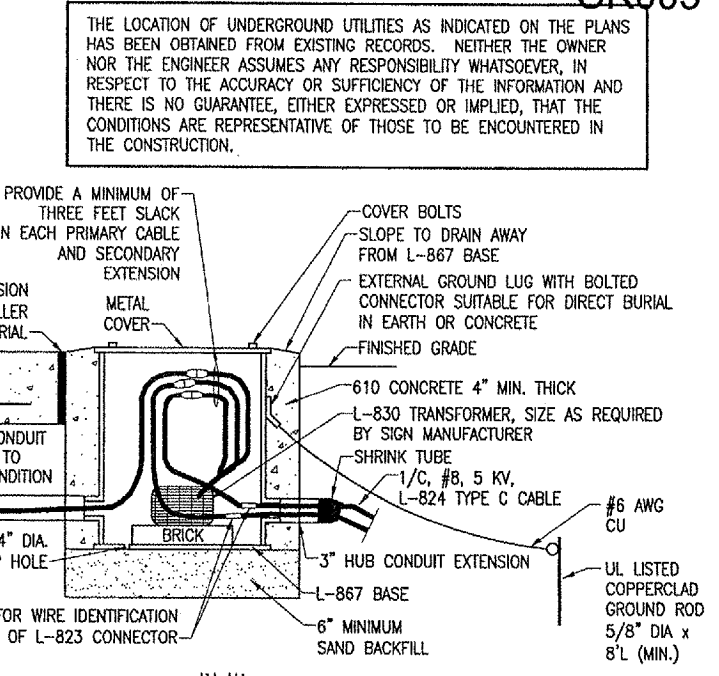
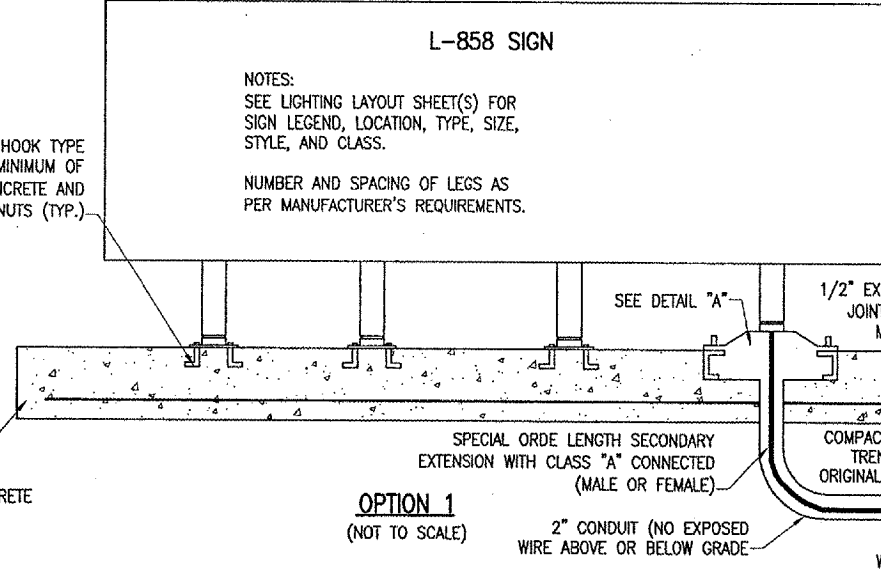
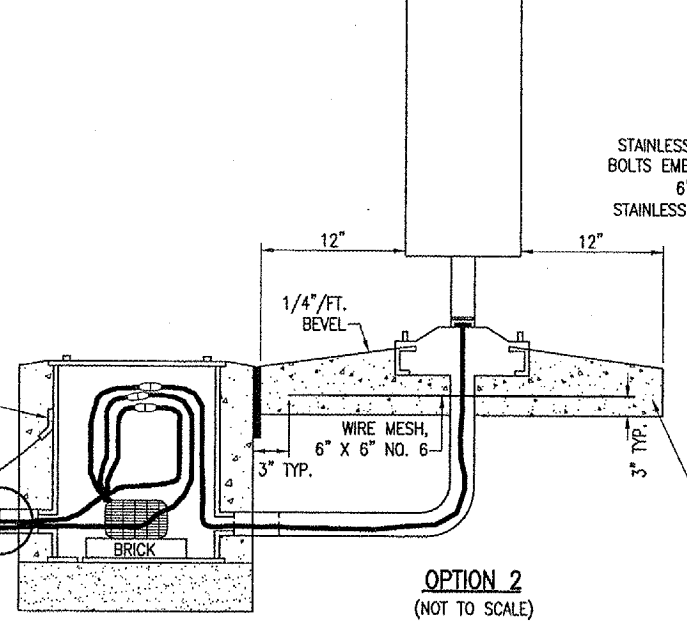
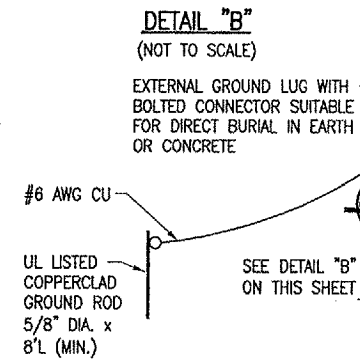
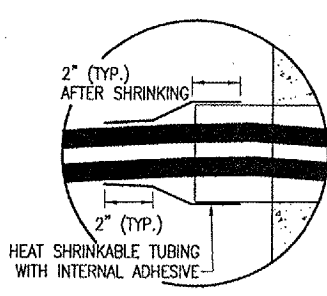
A.I.P. PROJ.: 3-17-0109-B7  
IL PROJ.: CUL-3683

HEL Project No. 801-077XVD 0800	SEP 11/16/06
Filename: R-541E.DWG	CCC 11/16/06
Scale: NOT TO SCALE	REVIEWED CAH 03/27/07
Date: 11/16/06	

**HANSON**  
Hanson Professional Services Inc.  
1325 S. W. 10th St.  
Springfield, Illinois 62703-2886  
Offices Nationwide

**EXTEND PARTIAL  
PARALLEL TAXIWAY**

**ELECTRICAL DETAILS**

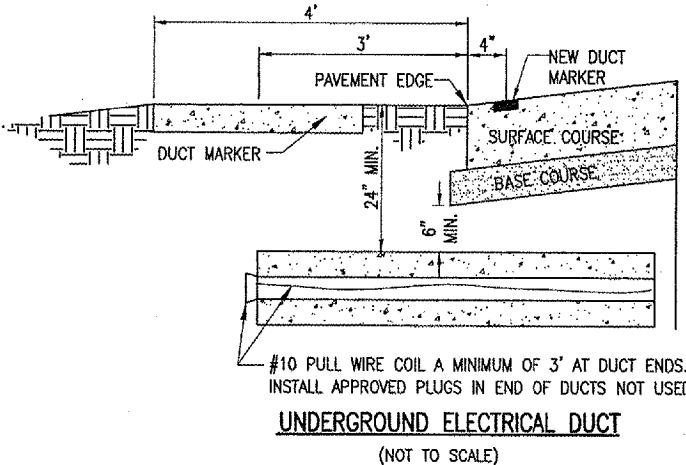


- ① EXISTING SOD TO BE STRIPPED AND REMOVED
- ② SAND BACKFILL, VARIABLE DEPTH
- ③ PROPOSED TOPSOIL BACKFILL MATERIAL

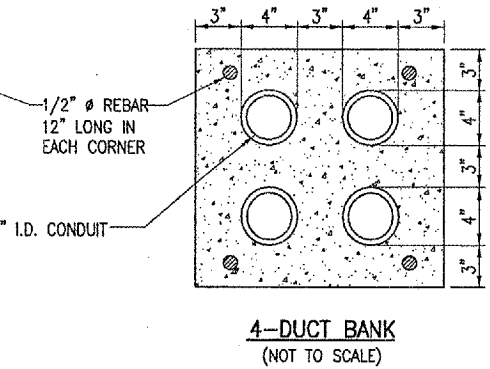
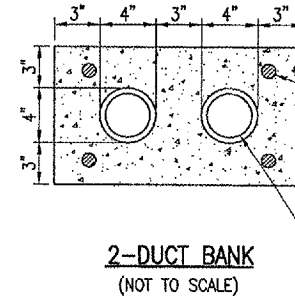
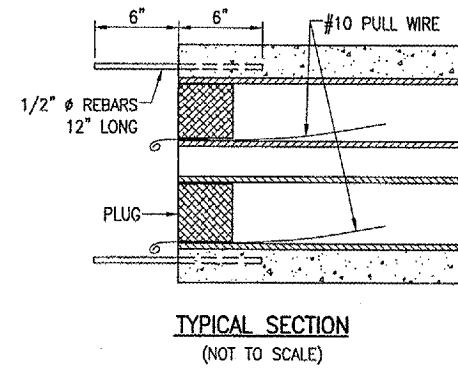
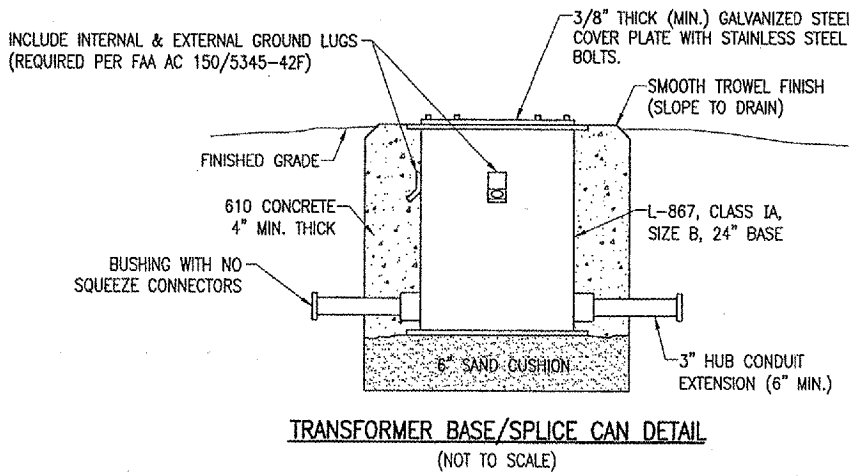
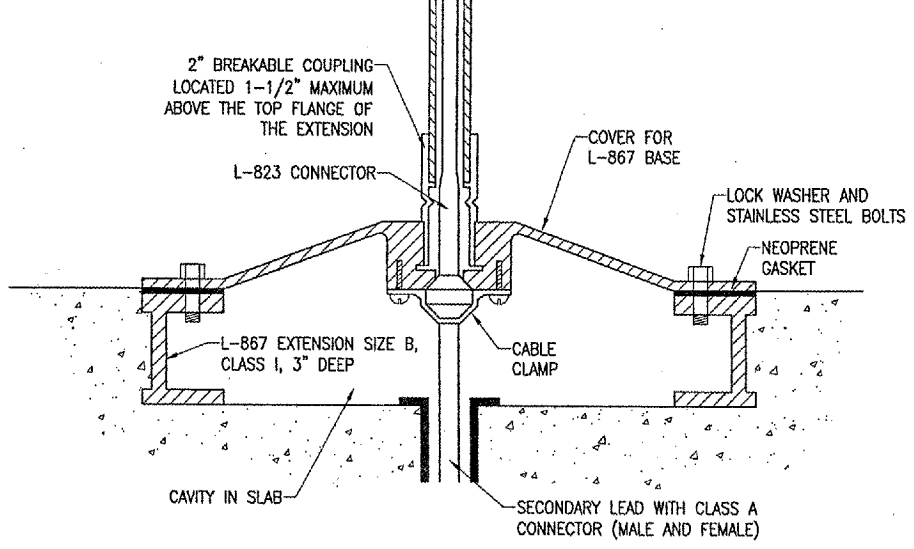
**L-858 SIGN**

NOTES:  
SEE LIGHTING LAYOUT SHEET(S) FOR SIGN LEGEND, LOCATION, TYPE, SIZE, STYLE, AND CLASS.  
NUMBER AND SPACING OF LEGS AS PER MANUFACTURER'S REQUIREMENTS.

THE LOCATION OF UNDERGROUND UTILITIES AS INDICATED ON THE PLANS HAS BEEN OBTAINED FROM EXISTING RECORDS. NEITHER THE OWNER NOR THE ENGINEER ASSUMES ANY RESPONSIBILITY WHATSOEVER, IN RESPECT TO THE ACCURACY OR SUFFICIENCY OF THE INFORMATION AND THERE IS NO GUARANTEE, EITHER EXPRESSED OR IMPLIED, THAT THE CONDITIONS ARE REPRESENTATIVE OF THOSE TO BE ENCOUNTERED IN THE CONSTRUCTION.



**GENERAL NOTES**  
SEE LIGHTING LAYOUT SHEET FOR SIGN LEGEND, LOCATION, TYPE, SIZE, STYLE, AND CLASS.  
SEE SHEETS 26 THROUGH 27 FOR ELECTRICAL NOTES.



APR 27, 2007 7:46 AM BAK I:\AIRPORTS\CARMi\801-077XV\AIRPORT SHEETS\R-541E.DWG - ELEC DETAILS