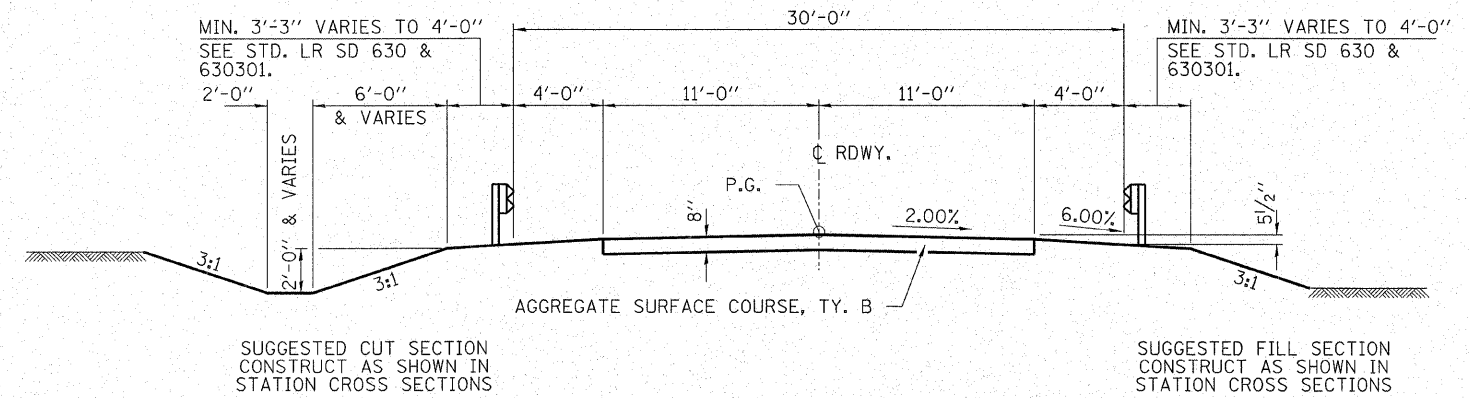
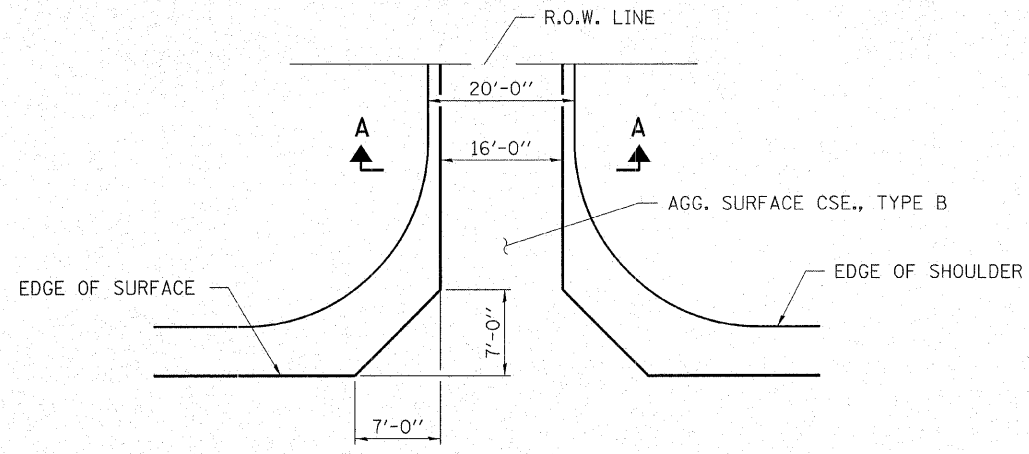


ROUTE NO.	SECTION	COUNTY	TOTAL SHEETS	SHEET NO.
T.R. 79A	04-01177-00-BR	UNION	15	3
FED. ROAD DIST. NO.		ILLINOIS	CONTRACT NO. 99275	

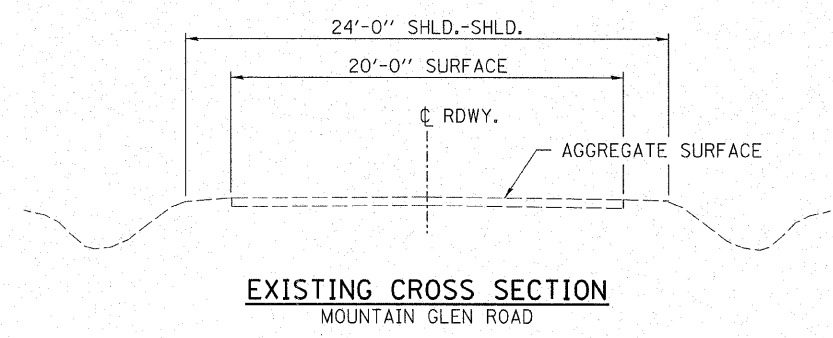
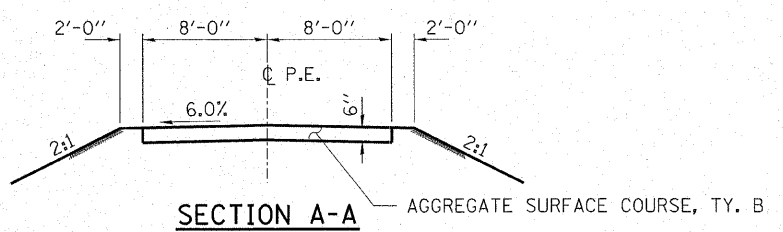


TYPICAL CROSS SECTION

STA. 9+00 TO 11+50
 TRANSITION FROM PROPOSED ROADWAY TO THE EXISTING ROADWAY IS TO BE CONSTRUCTED FROM STA. 8+50 TO STA. 9+00 AND FROM STA. 11+50 TO STA. 12+00. SEE SHEET 8 FOR TRANSITION AT BRIDGE.



PRIVATE ENTRANCE DETAIL



HAMPTON, LENZINI & RENWICK, INC.
 CIVIL & STRUCTURAL ENGINEERS
 LAND SURVEYORS

HLR

3085 STEVENSON DRIVE, SUITE 201
 SPRINGFIELD, ILLINOIS 62703
 (217) 546-3400

ELGIN • SPRINGFIELD

PROJECT NUMBER: 13-92-0007-1 DATE: 04/03/07
 DESIGNED: J.W.F. CHECKED: S.W.M. DRAWN: D.B.

TYPICAL CROSS SECTIONS
 SECTION 04-01177-00-BR
 T.R. 79A / MOUNTAIN GLEN ROAD
 UNION COUNTY