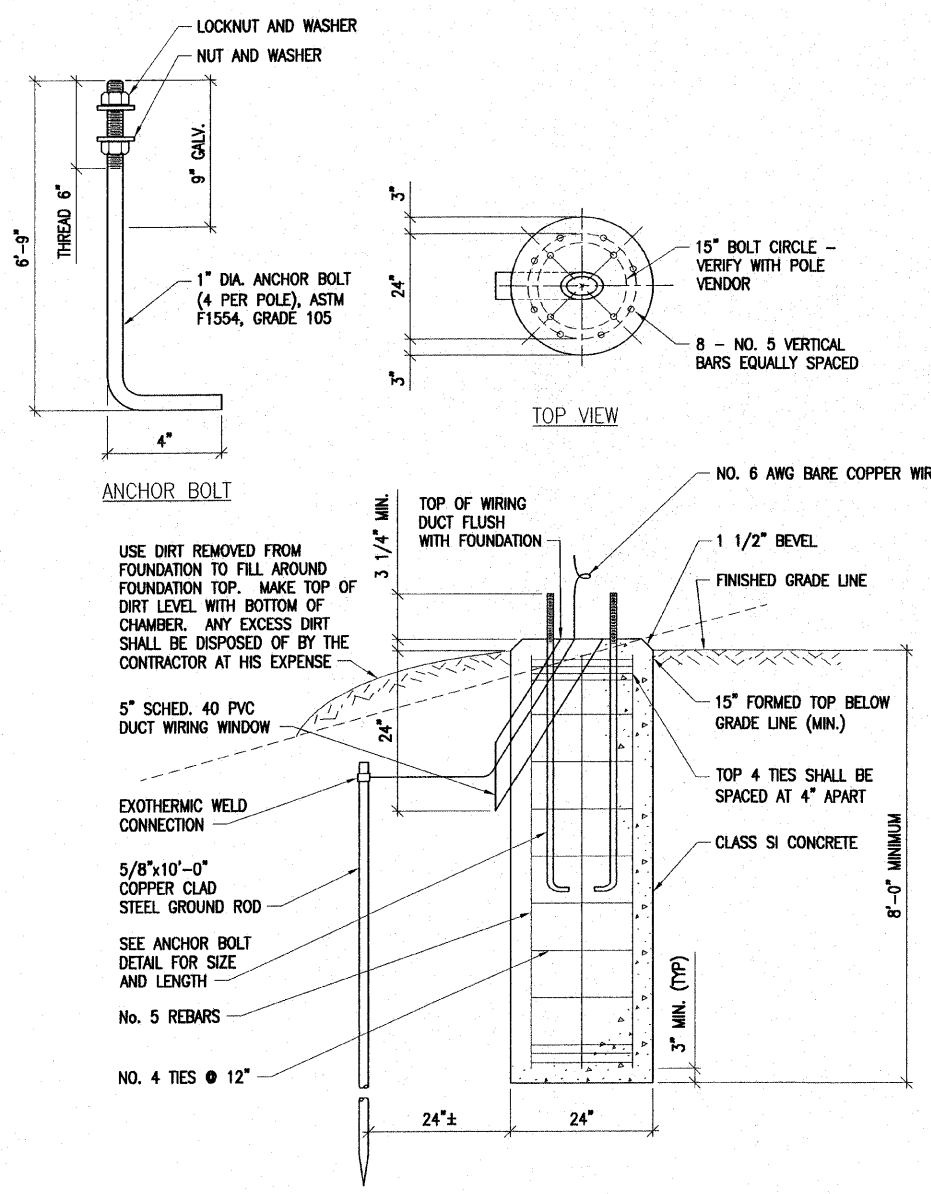
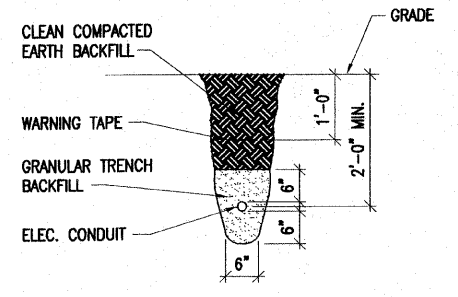


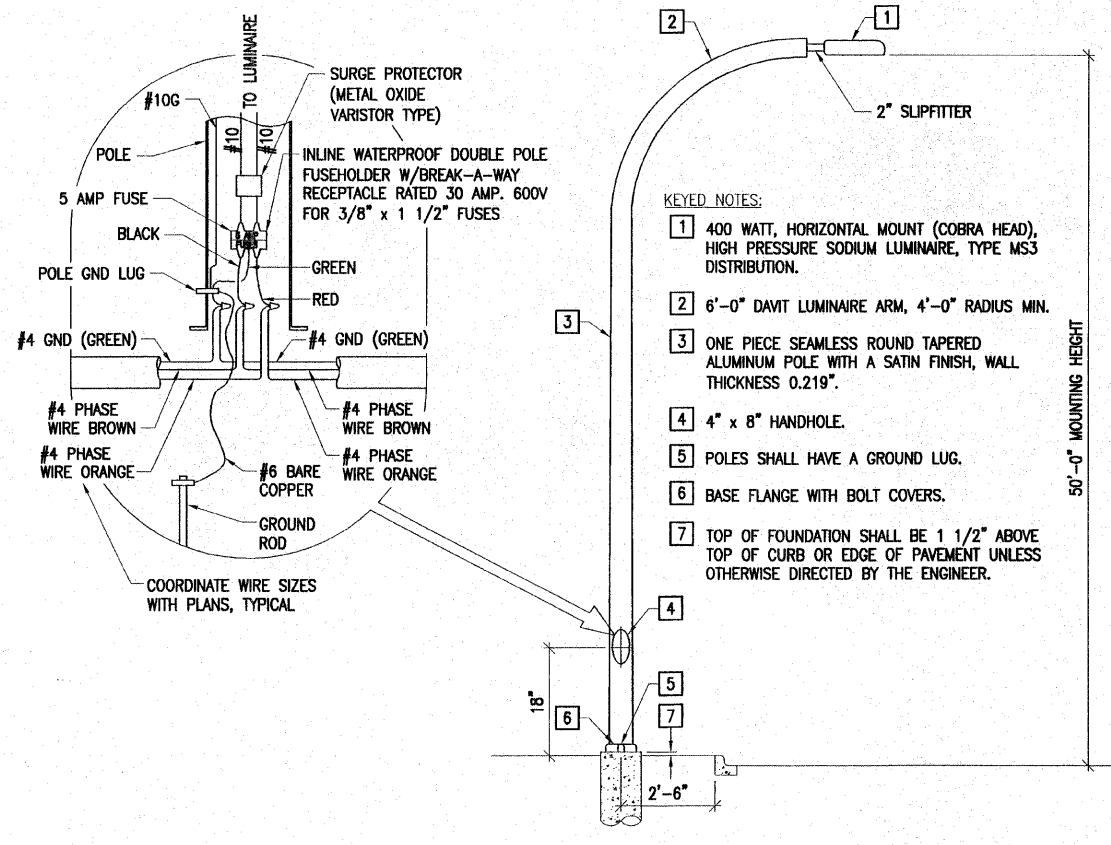
ROUTE NO.	SECTION	COUNTY	TOTAL SHEETS	SHEET NO.
FAU-8088	08-00208-02-BR	MADISON	61	39
FED. ROAD DIST. NO.	PROJECT			



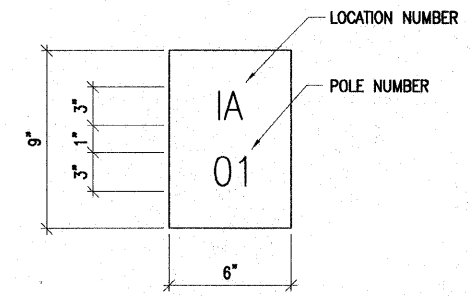
POLE FOUNDATION DETAIL
SCALE: NONE



TRENCH DETAIL
SCALE: NONE



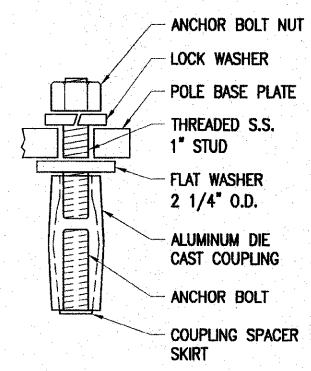
LIGHTING UNIT DETAIL
SCALE: NONE



THE CONTRACTOR SHALL FURNISH AND INSTALL A LIGHT POLE IDENTIFICATION ON EACH NEW LIGHT POLE, AS SHOWN ABOVE, COST INCLUDED IN THE RESPECTIVE LIGHT POLE PAY ITEM. THE NUMERALS SHALL BE 3 IN. SERIES "D", BLACK, SCREENED ON SILVER-WHITE TYPE B PRESSURE SENSITIVE REFLECTIVE SHEETING CONFORMING TO THE REQUIREMENTS OF SECTION 1602.01 OF THE STANDARD SPECIFICATIONS FOR TRAFFIC CONTROL ITEMS. THE NUMERALS SHALL CONFORM TO THE FHWA "STANDARD ALPHABETS FOR HIGHWAY SIGNS".

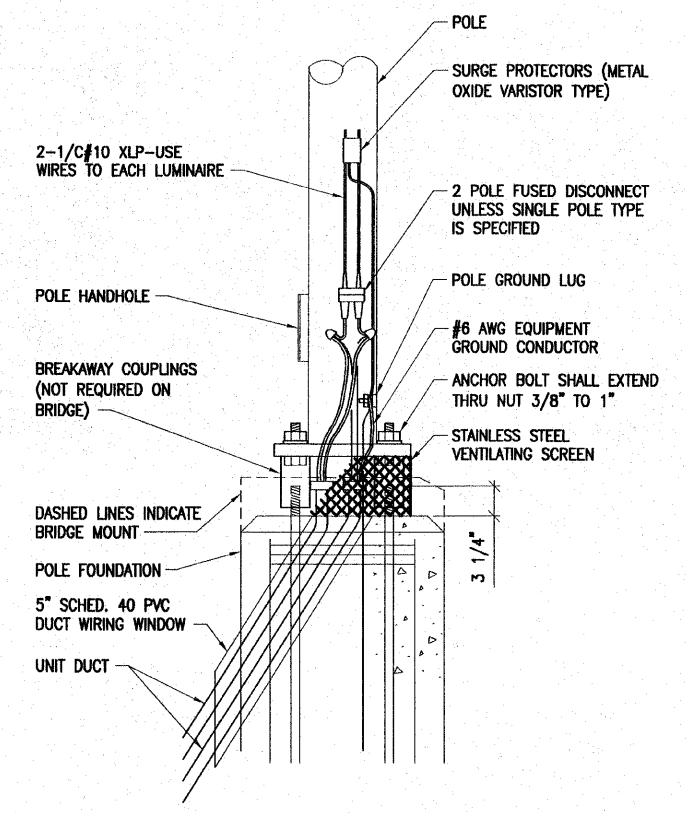
THE LIGHT POLE IDENTIFICATION SHALL BE APPLIED TO SIGN BASE MATERIAL AS SPECIFIED IN SECTION 1069.02 OF THE STANDARD SPECIFICATIONS, APPROXIMATELY 7 FT. ABOVE THE ADJACENT PAVEMENT GRADE VISIBLE TO APPROACHING TRAFFIC IN ACCORDANCE WITH HIGHWAY STANDARD 720001.

LIGHT POLE IDENTIFICATION DETAIL
SCALE: NONE

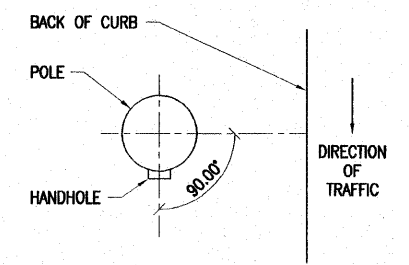


COUPLING INSTALLATION:
SCREW COUPLINGS ON TO ANCHOR BOLTS TO END OF THREADS, LEVEL COUPLINGS, (VERY IMPORTANT), AS COUPLINGS WILL BECOME OVER STRESSED AND EITHER CRACK OR STRIP THREADS INSIDE COUPLING.

COUPLING DETAIL
SCALE: NONE



POLE BASE MOUNTING & WIRING DETAIL
SCALE: NONE



HANDHOLE ORIENTATION
SCALE: NONE

INDIANA AVENUE EXTENSION
CITY OF ALTON, IL
ROADWAY LIGHTING
POLE DETAILS

LAYOUT	PJT	<p>Hanson Professional Services Inc. 1525 South Sixth Street Springfield, Illinois 62703-2886 ILLINOIS LICENSED PROFESSIONAL SERVICES CORPORATION #184-001084</p>	JOB NO.	95S1008I
DRAWN	ANC		DATE	08-16-06
REVIEWED	PJT			

L-4

S:\Land Projects\Alton Indiana PH III 406385 - 1\DWG\HANSON\E-501.DWG

S:\Land Projects\Alton Indiana PH III 406385 - 1\DWG\HANSON\E-501.DWG