

ROUTE	SECTION	COUNTY	TOTAL SHEETS	SHEET NO.
T.R. 349	01-10116-00-BR	WAYNE	13	2
CONTRACT NO. 95497		ILLINOIS	PROJECT	

DESIGN DATA

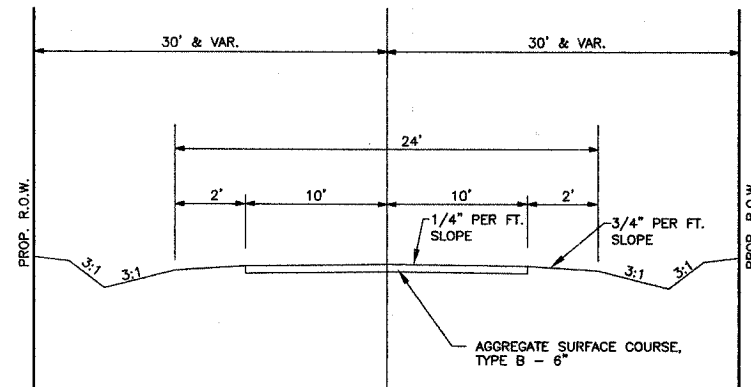
LOCAL ROAD
ADT = 50

GENERAL NOTES

- SEEDING: THIS WORK SHALL BE PERFORMED IN ACCORDANCE WITH THE APPLICABLE PORTIONS OF SECTION 250 OF THE STANDARD SPECIFICATIONS AND SHALL BE PAID FOR AT THE CONTRACT UNIT PRICE FOR SEEDING CLASS 2 (SPECIAL).
 - SPRING SEEDING SHALL EXTEND FROM JANUARY 1 TO JUNE 30
FALL SEEDING SHALL EXTEND FROM JULY 1 TO DECEMBER 31
 - FERTILIZER NUTRIENTS SHALL BE APPLIED AT THE RATE OF 100 LB/ACRE
 - MULCHING SHALL BE DONE IN ACCORDANCE WITH ARTICLE 251 OF THE STANDARD SPECIFICATIONS AND SHALL BE DONE BY METHOD 2, PROCEDURE 2 AT THE RATE OF 2 TONS PER ACRE.
- NO PAYMENT FOR OVERHAUL WILL BE MADE ON THIS SECTION.

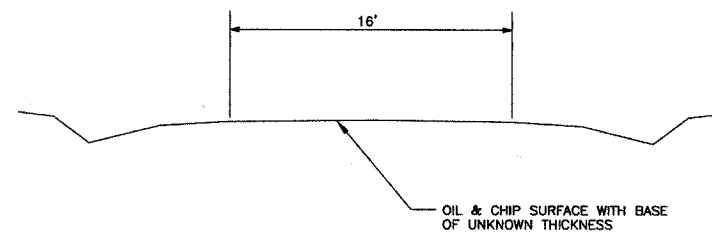
SUMMARY OF QUANTITIES

CODE NO.	ITEM	UNIT	QUANTITY
20100110	TREE REMOVAL (6 TO 15 UNITS DIAMETER)	UNIT	131
20100210	TREE REMOVAL (OVER 15 UNITS DIAMETER)	UNIT	34
20200100	EARTH EXCAVATION	CU YD	245
20300100	CHANNEL EXCAVATION	CU YD	120
20400800	FURNISHED EXCAVATION	CU YD	75
25001000	SEEDING, CLASS 2 (SPECIAL)	ACRE	0.30
28000300	TEMPORARY DITCH CHECKS	EACH	4
28000900	FENCE (EROSION CONTROL)	FOOT	200
28100807	STONE DUMPED RIPRAP, CLASS A4	TON	120
28102600	STONE RIPRAP DITCH	TON	60
35101400	AGGREGATE BASE COURSE, TYPE B	TON	60
40200800	AGGREGATE SURFACE COURSE, TYPE B	TON	330
50100100	REMOVAL OF EXISTING STRUCTURES	EACH	1
50300225	CONCRETE STRUCTURES	CU YD	19.4
50300280	CONCRETE ENCASMENT	CU YD	2.1
50400505	PRECAST PRESTRESSED CONCRETE DECK BEAMS (27" DEPTH)	SQ FT	1200
50800105	REINFORCEMENT BARS	POUND	2440
50900205	STEEL RAILING, TYPE S1	FOOT	100
51201400	FURNISHING STEEL PILES HP 10X42	FOOT	245
51202305	DRIVING PILES	FOOT	245
51203400	TEST PILE STEEL HP 10 X 42	EACH	1
51500100	NAME PLATES	EACH	1
542D0220	PIPE CULVERTS, CLASS D, TYPE 1 15"	FOOT	48
67100100	MOBILIZATION	L. SUM	1



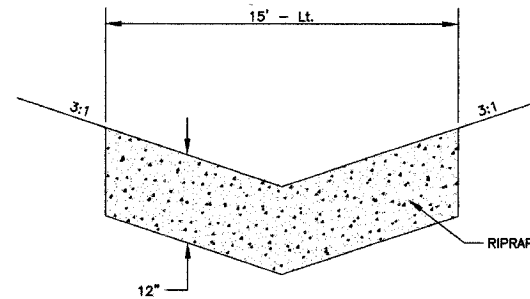
TYPICAL SECTION

PROPOSED



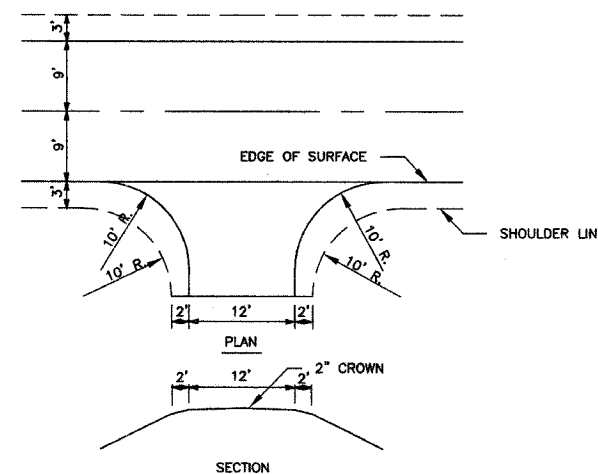
TYPICAL SECTION

EXISTING

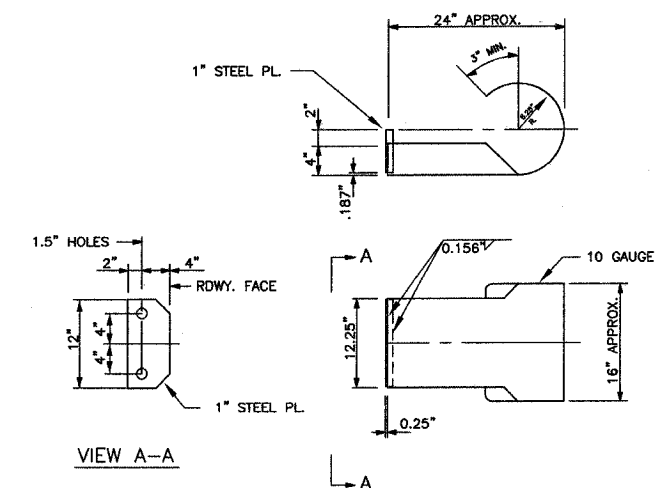


STONE RIPRAP DITCH DETAIL

LT. STA. 2+00 TO 2+74



FIELD ENTRANCE DETAIL



CURLED END SECTION DETAILS

4 REQUIRED - COST INCLUDED IN "STEEL RAILING, TYPE S-1"