

ROUTE NO.	SECTION	COUNTY	TOTAL SHEETS	SHEET NO.
FAS 389	93-00049-00-BR	PEORIA	99	36
FED. ROAD DIST. NO.	7	ILLINOIS	PROJECT: BRS-0389(104)	
CONTRACT NO. 89323				

SHEET 5 of 6

REVISION	DATE

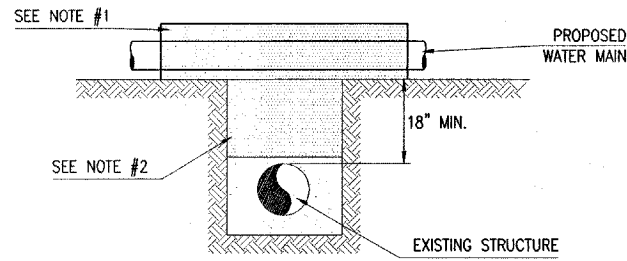


Hanson No. 06P2008	DATE	04/05/07
File Name WATER_DET_1.DWG	SCALE	
	DATE	04/06/07
LAYOUT	DATE	04/05/07
DRAWN	DATE	04/05/07
REVIEWED	DATE	04/05/07

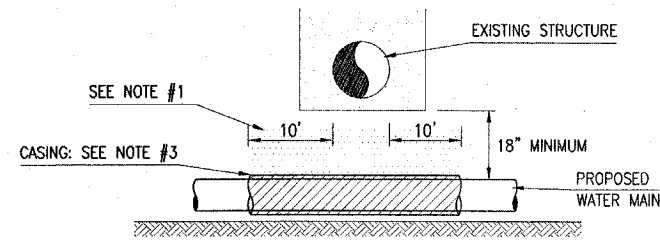
Phone: (309) 691-0902
 Fax: (309) 691-1327
 www.hanson-inc.com
 Offices Nationwide



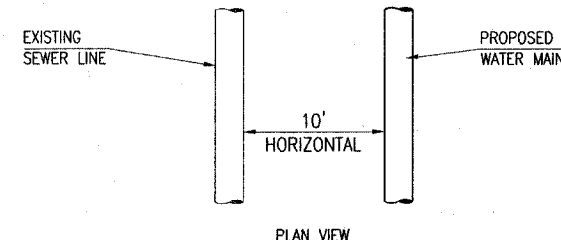
WATER MAIN DETAILS
 LANCASTER RD. OVER LAMARSH CREEK
 STRUCTURE NO. 072-3145
 PEORIA COUNTY, ILLINOIS



PROPOSED WATER MAIN ABOVE EXISTING SEWER LINE WITH 18" MINIMUM SEPARATION.



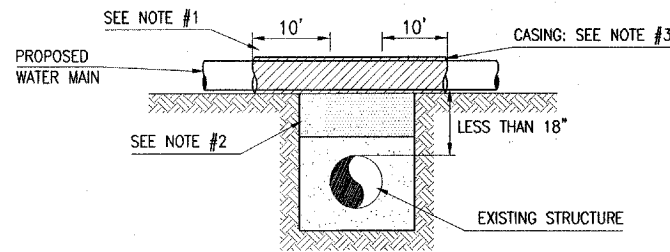
PROPOSED WATER MAIN BELOW EXISTING SEWER LINE WITH 18" MINIMUM SEPARATION.



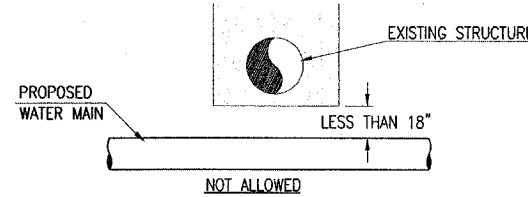
PROPOSED WATER MAIN IS LOCATED 10' OR MORE FROM EXISTING SEWER LINE.

NOTES:

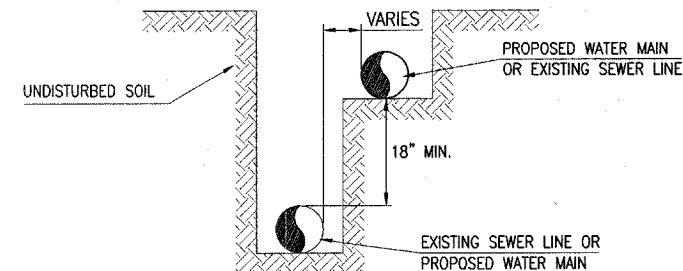
1. OMIT SELECT GRANULAR CRADLE AND GRANULAR BACKFILL TO ONE (1) FOOT OVER TOP OF PIPE AND USE SELECT EXCAVATED MATERIAL (CLASS IV) AND COMPACT FOR 10 FEET ON EITHER SIDE OF SEWER LINE.
2. IF SELECT GRANULAR BACKFILL EXISTS: REMOVE WITHIN WIDTH OF PROPOSED SEWER TRENCH AND REPLACE WITH SELECT EXCAVATED MATERIAL (CLASS IV) AND COMPACT.
3. USE A CASING FOR PROPOSED WATER MAIN AND SEAL ENDS OF CASING. SEE CONSTRUCTION SPECIFICATIONS.
4. ALL MATERIALS SHALL BE COMPACTED TO THE REQUIREMENTS OF THE SSRBC.
5. POINT LOADS SHALL NOT BE ALLOWED BETWEEN WATER MAIN OR WATER MAIN CASING AND SEWER.
6. THE CONTRACTOR SHALL PROVIDE ADEQUATE SUPPORT FOR EXISTING STRUCTURES USING TECHNIQUES APPROVED BY IDOT TO PREVENT DAMAGE DUE TO SETTLEMENT OF THE TRENCH.
7. TOP SOIL AND SEED LOCATIONS SHALL BE DETERMINED BY THE ENGINEER IN THE FIELD AT THE TIME OF CONSTRUCTION.
8. FAS MATERIAL SHALL BE USED FOR BEDDING, HAUNCHING, AND BACKFILL. THE COST OF THIS MATERIAL SHALL NOT BE PAID FOR SEPARATELY, BUT SHALL BE CONSIDERED INCIDENTAL TO THE UNIT COST OF WATER MAIN INSTALLATION.



PROPOSED WATER MAIN ABOVE EXISTING SEWER LINE WITH LESS THAN 18" SEPARATION.



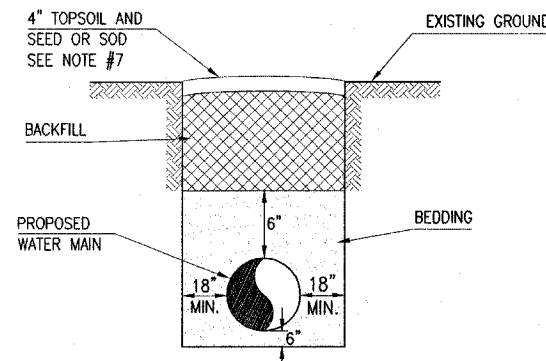
NOT ALLOWED
 MUST MAINTAIN 18" VERTICAL SEPARATION
 PROPOSED WATER MAIN BELOW EXISTING SEWER LINE WITH LESS THAN 18" SEPARATION.



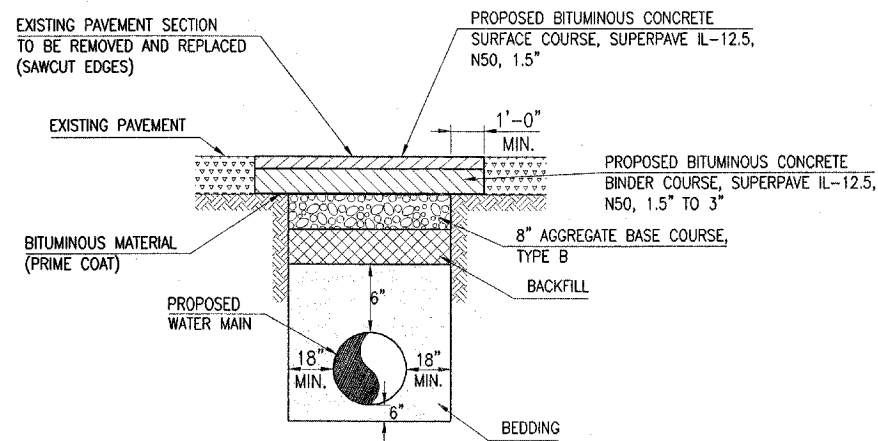
PROPOSED WATER MAIN IS LOCATED LESS THAN 10' FROM EXISTING SEWER LINE.

WATER AND SEWER SEPARATION REQUIREMENTS
 (VERTICAL SEPARATION)

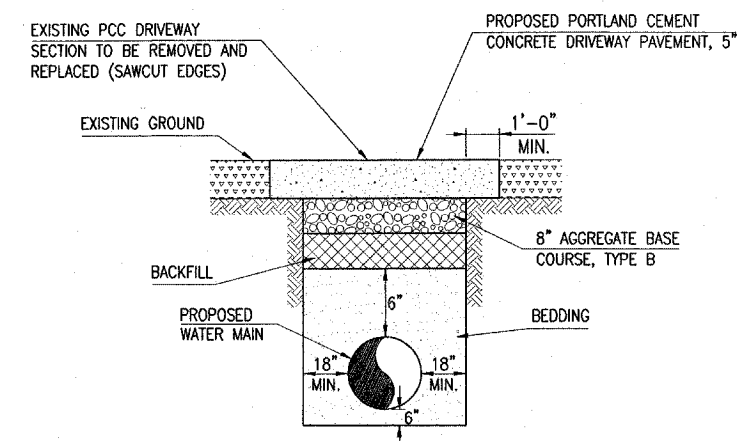
WATER AND SEWER SEPARATION REQUIREMENTS
 (HORIZONTAL SEPARATION)



TRENCH SECTION IN UNPAVED AREAS



TRENCH SECTION IN PAVED AREAS



TRENCH SECTION IN PCC DRIVEWAY