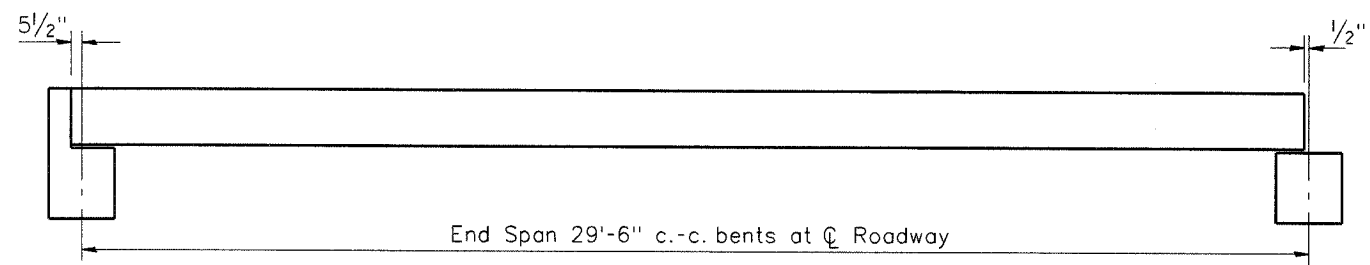
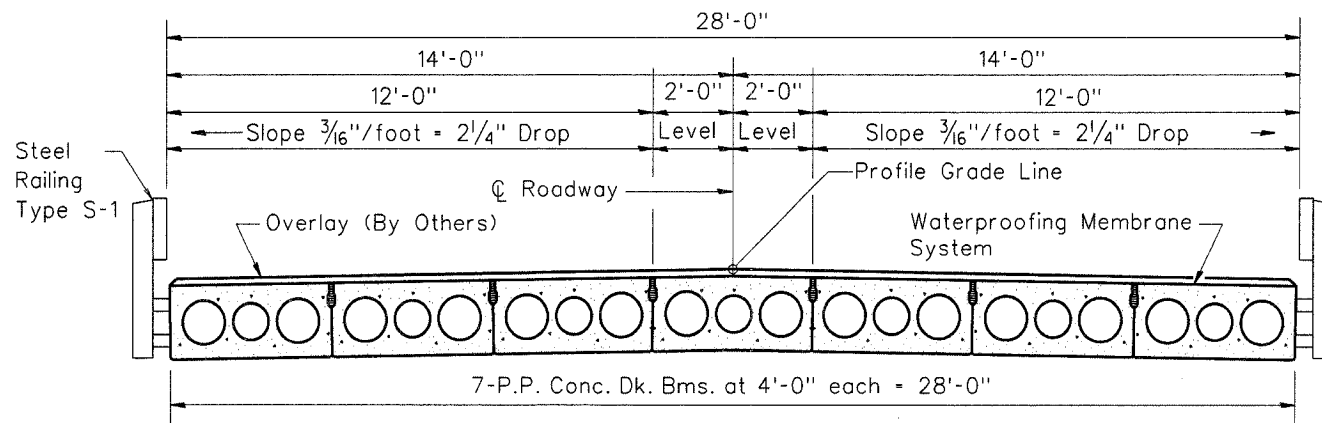


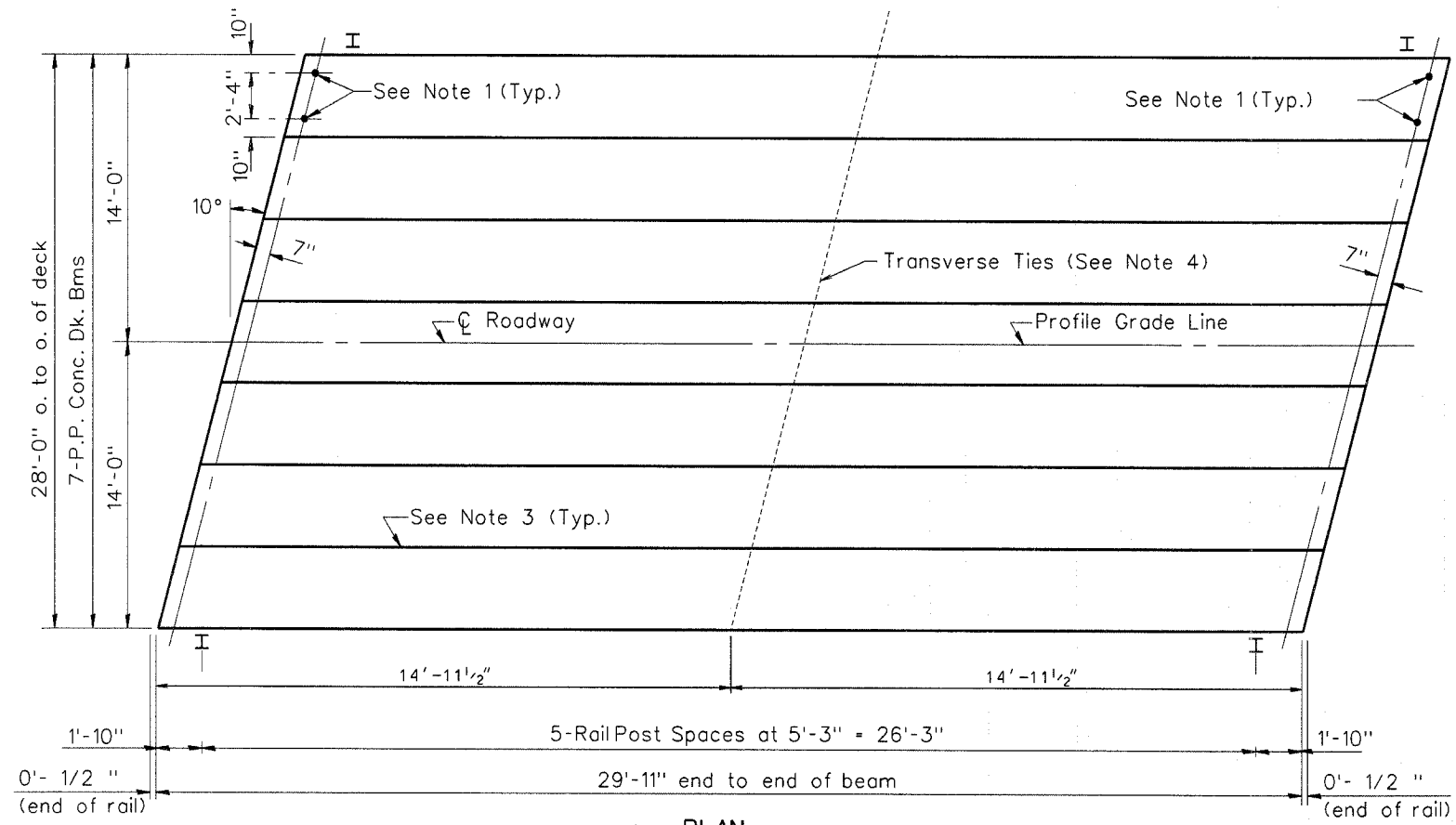
FAS RTE	SECTION	COUNTY	TOTAL SHEETS	SHEET NO.
238	01-00130-00-BR	HENRY	14	7
F.H.W.A. REG.		ILLINOIS	PROJECT	



TYPICAL ELEVATIONS

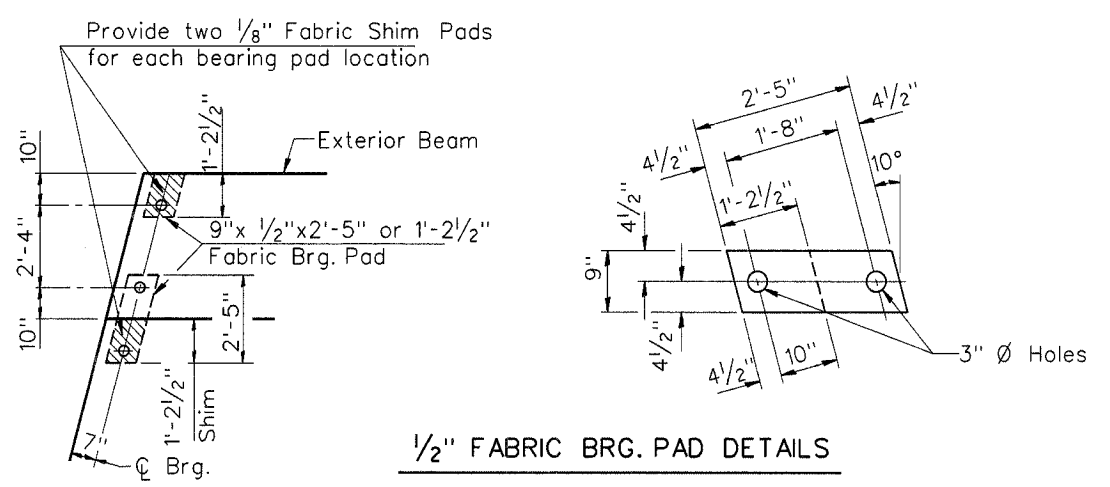


CROSS SECTION

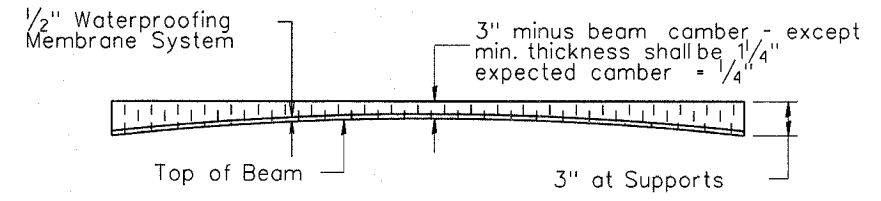


PLAN

(10 ° = Designated Skew Angle)



1/2" FABRIC BRG. PAD DETAILS



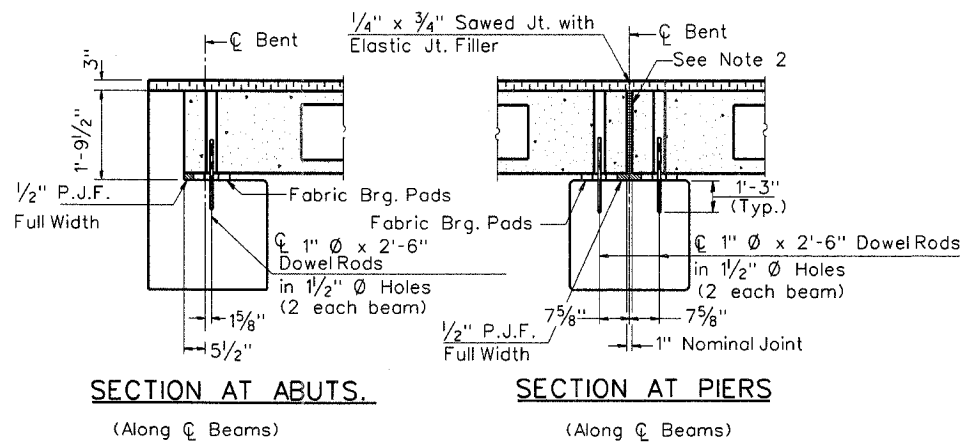
PROFILE OF OVERLAY BY OTHERS

QUANTITIES FOR ONE SPAN

P.P. Conc. Dk. Bm. 21" Dp.	840 Sq. Ft.
Steel Railing, Type S-1	60 Ft.
Waterproofing Membrane System	93.3 Sq. Yds.
Portland Cement Mortar Faring Course	180 Ft.

SPANS 1 & 3

- NOTES**
- After beams have been erected, holes shall be drilled into substructure and anchor dowels placed. Dowel holes shall be filled with non-shrink grout to top of beam and allowed to cure min. 24 hrs. prior to grouting the shear keys.
 - Nominal 1" joint at centerline Pier shall be filled with non-shrink grout.
 - Longitudinal keys shall be grouted.
 - The 1" rods in the transverse tie assembly shall be tightend to a snug fit and the threads set. Pockets that receive transverse tie bar outside shall be filled with grout after transverse tie assembly is in place.



SECTION AT ABUTS.

SECTION AT PIERS

P.P.C. DECK BEAM SUPERSTRUCTURE			
28' RDWY.	21" BMS.	30' SPAN	LEFT

DESCRIPTION

DATE

REVISION

PROJECT TITLE

HENRY COUNTY BRIDGE

SECTION 01-00130-00-BR (FAS 1232)

SHEET TITLE

P.C.C. DECK BEAM DETAILS

Sodemann and Associates, Inc.
340 NORTH NEL STREET
POST OFFICE BOX 557
CHAMPAIGN, ILLINOIS 61824-0557
TEL 217 352-7688 FAX 217 352-7922
ENGINEERING / ANALYSIS / MANAGEMENT

DES. KEB

DRN. JAB

CHK. KEB

APP. KEB

PROJECT NO.

07066

DATE

03.01.07

SHEET

6

OF 13 SHEETS