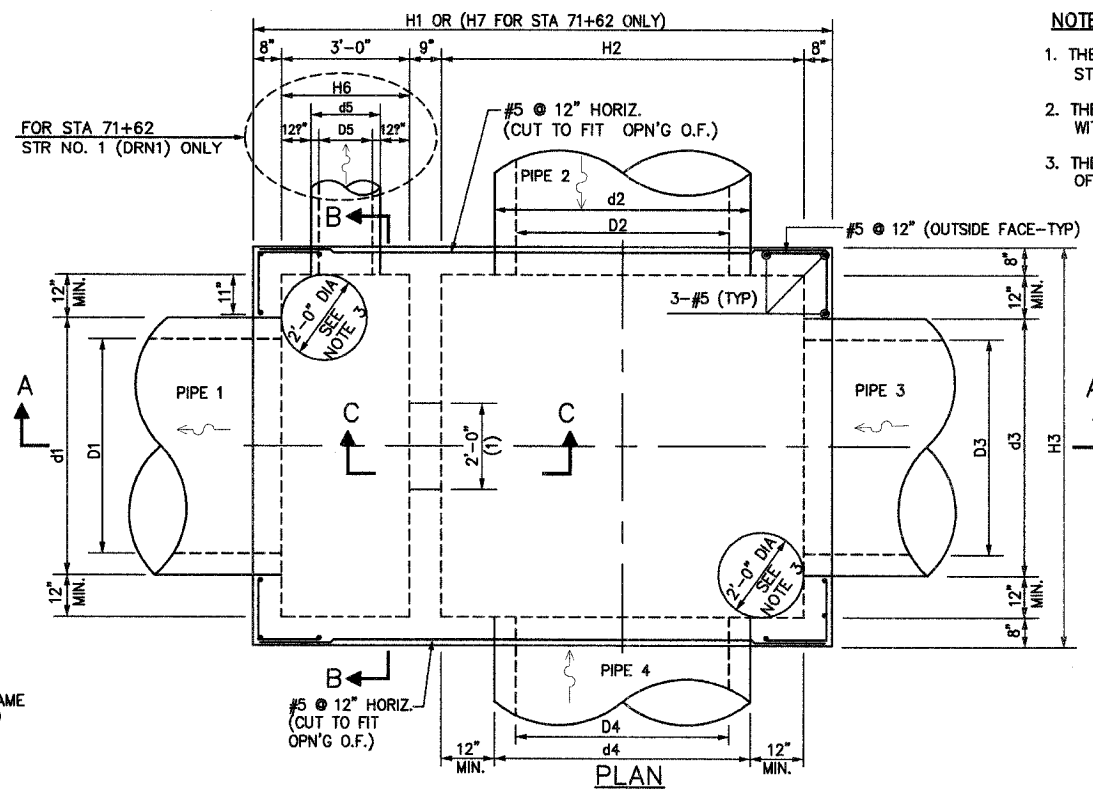
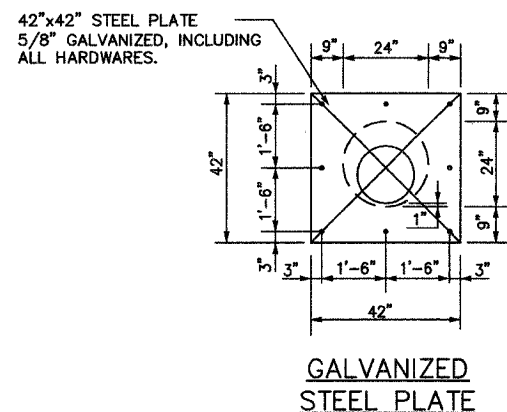


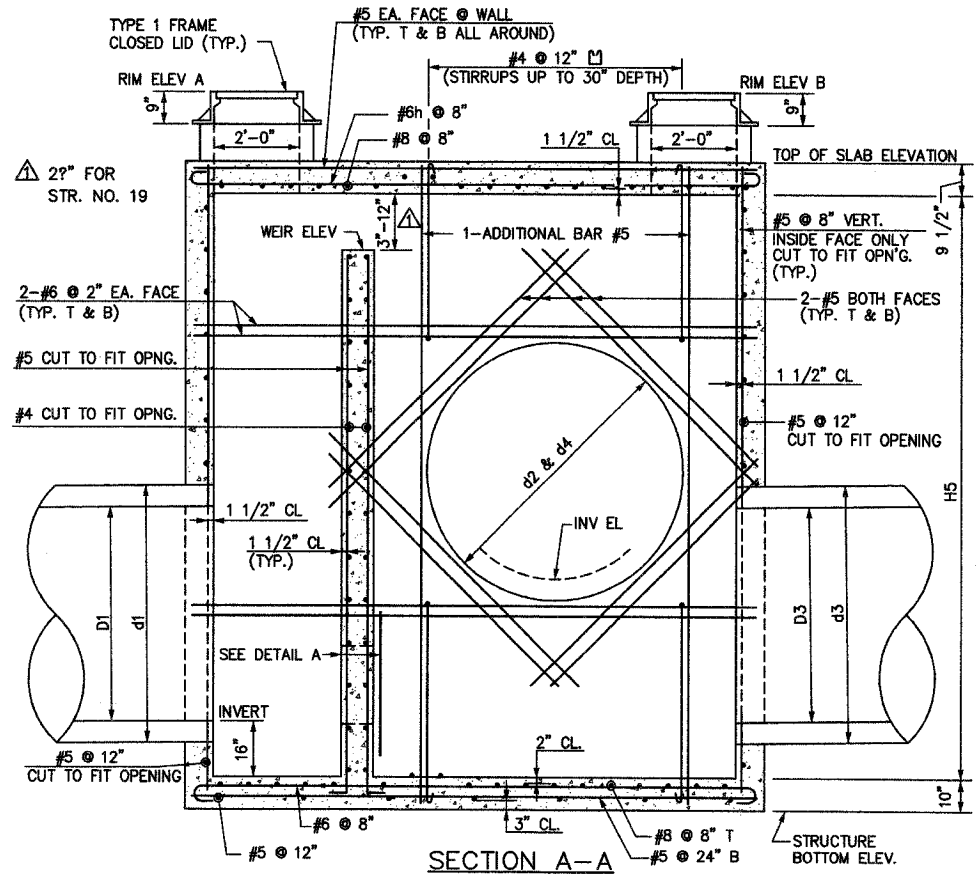
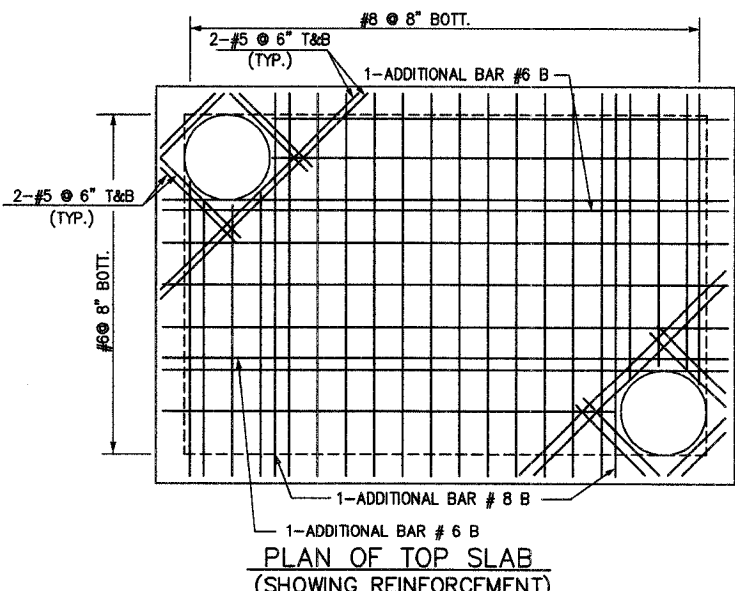
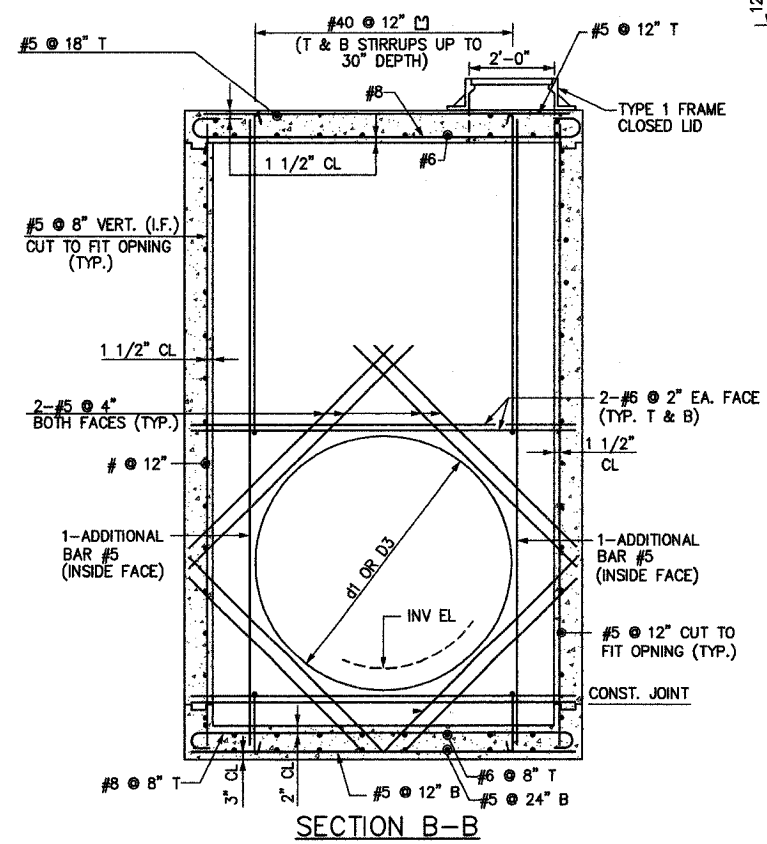
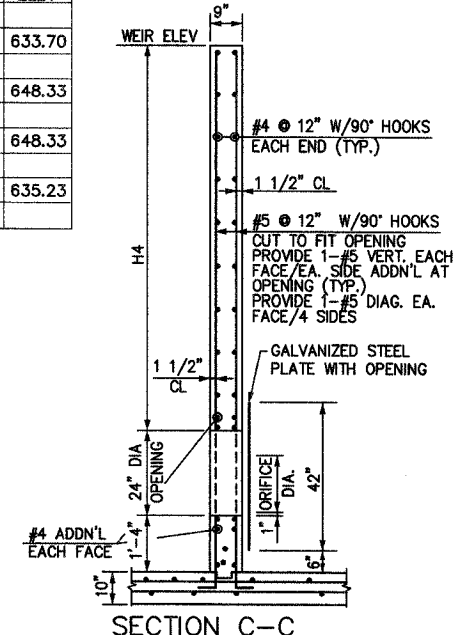
STRUCTURE DETAILS AND DIMENSIONS

DRAWING NO.	STR. NO.	LOCATION	PIPE 1		PIPE 2		PIPE 3		PIPE 4		PIPE 5		ORIFICE DIA.	ORIFICE INV.	RIM ELEV "A"	RIM ELEV "B"	WEIR ELEV	T/SLAB ELEV	H1	H2	H3	H4	H5	H6	H7	STR. BOTTOM ELEV											
			d1	INVERT	D1	d2	INVERT	D2	rise2	RISE2	d3	INVERT															D3	rise3	RISE3	d4	INVERT	D4	rise4	RISE4	d5	INVERT	D5
DRN1	1	STA 71+62, ~	22"	635.87	18"	16"	636.74	12"			30"	635.97	24"			33"	635.87	27"			19"	636.97	15"	2"	635.87	640.28	640.36	638.49	639.53		4'-10"	5'-10"	7'9"	4.20'	3'-8"	10'-7"	633.70
DRN7	5	STA 149+25, 6' LT	22"	650.50	18"						80"	650.60	68"	55"	43"	16"	652.10	12"						2"	650.50	656.65	656.50	654.56	655.72	9'-1"	4'-0"	10'-0"	2'-0"	5.77'			648.33
DRN8	19	STA 150+07, 6' LT	22"	650.50	18"	16"	652.10	12"			80"	650.60	68"	55"	43"	16"	652.10	12"						2"	650.50	656.44	656.30	654.56	655.55	9'-1"	4'-0"	10'-0"	2'-0"	5.60'			648.33
DRN9	1	STA 162+30, ~	30"	637.40	24"	106"	637.50	91"	73"	58"						106"	637.50	91"	73"	58"				2"	637.40	646.76	646.79	642.98	644.77	15'-11"	10'-10"	5'-10"	3'-7"	7.92'			635.23

ROUTE NO.	SECTION	COUNTY	TOTAL SHEETS	SHEET NO.
FAU 2545	*	WILL	147	102
FEDERAL DIST. NO. 7				
* 98-00036-19-FP CONTRACT NO. 83896				



- NOTES:
1. THE CONTRACTOR SHALL FURNISH AND INSTALL CAST IRON STEPS IN ACCORDANCE W/ STANDARD 602701 @ 12"-16" CENTERS.
 2. THE CONTRACTOR SHALL FURNISH SHOP DRAWINGS IN ACCORDANCE WITH ARTICLE 105.04 OF THE STANDARD SPECIFICATIONS.
 3. THE CONTRACTOR SHALL REFER TO DRAINAGE PLANS FOR LOCATION OF MANHOLE RIM OPENINGS.



BASIS OF PAYMENT:
TO BE PAID FOR AT THE CONTRACT UNIT PRICE PER EACH FOR JUNCTION CHAMBER, SPECIAL.

NO.	DATE	REVISION	BY

WILL COUNTY DEPARTMENT OF HIGHWAYS

PLAINFIELD-NAPERVILLE ROAD (C.H. 14)
ROADWAY RECONSTRUCTION
DRAINAGE DETAILS
JUNCTION CHAMBERS, SPECIAL

McDonough Associates Inc.
Engineers/Architects

DESIGNED BY: NJL
CHECKED BY: JTF
DRAWN BY: JTF

SCALE:
N.T.S.

P3
DRAWING ID: G:\20030023 - Plainfield-Naperville Road\dwg\DR DET JC.dwg
PLOT DATE: 07/08/05 - 14:55