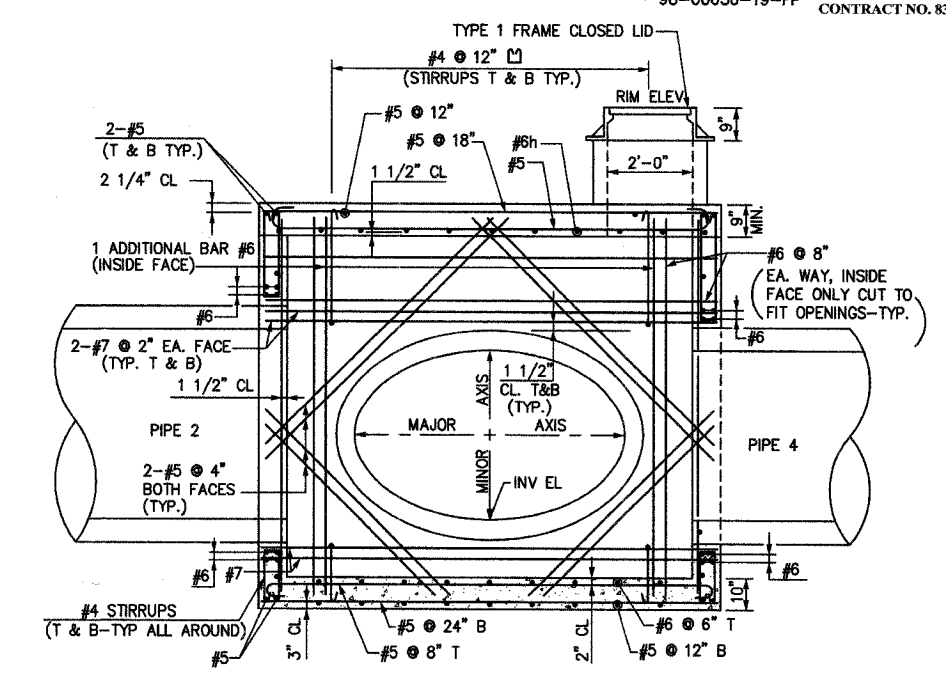
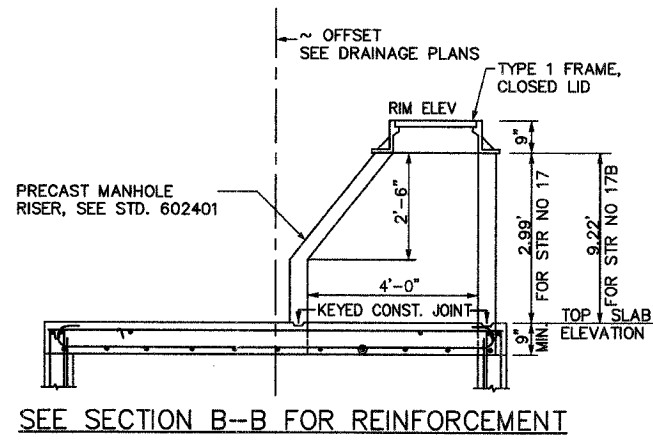
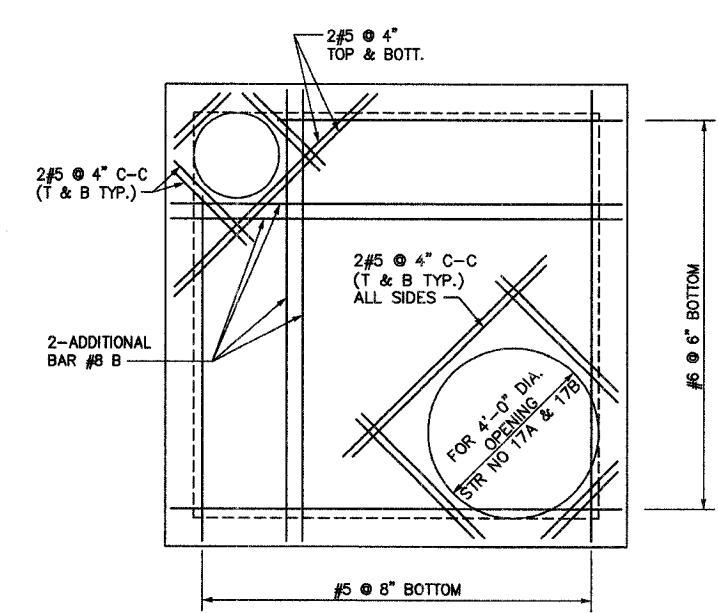


- NOTES:**
1. THE CONTRACTOR SHALL FURNISH AND INSTALL CAST IRON STEPS IN ACCORDANCE W/ STANDARD 602701 @ 12"-16" CENTERS.
 2. THE CONTRACTOR SHALL FURNISH SHOP DRAWINGS IN ACCORDANCE WITH ARTICLE 105.04 OF THE STANDARD SPECIFICATIONS.
 3. THE CONTRACTOR SHALL REFER TO DRAINAGE PLANS FOR LOCATION OF MANHOLE RIM OPENINGS.



- NOTES:**
1. TOP REINFORCEMENT OF ROOF SLAB SHALL BE PROVIDED FOR ALL STRUCTURES.
 2. TOP & BOTTOM REINFORCEMENT OF ROOF SLAB SHALL BE EPOXY COATED FOR ALL STRUCTURES.

STRUCTURE DETAILS AND DIMENSIONS

DRAWING NO.	STR. NO.	LOCATION	PIPE 1 - ELLIPTICAL/CIRCULAR				PIPE 2		PIPE 3 - ELLIPTICAL/CIRCULAR				PIPE 4		H1	H2	H3	H4	H5	H6	H7	TOP SLAB ELEV.	RIM ELEV.	STRUCT BOTTOM ELEV.				
			span1/d1	SPAN1/D1	INVERT	rise1	RISE1	d2	INVERT	D2	span3/d3	SPAN3/D3	INVERT	rise3											RISE3	d4	INVERT	D4
DRN8	17B	STA 159+00, 20' LT.	106"	91"	638.15	73"	58"	-	-	-	-	-	-	-	12"	-	-	-	12'-2"	5'-4"	8.01	645.57	655.54	635.98				
DRN8	17A	STA 161+50, 20' LT.	-	-	-	-	-	-	-	106"	91"	637.91	73"	58"	30"	637.81	24"	-	12"	15"	12'-2"	6'-4"	8.11	645.33	648.19	635.64		
DRN8	17	STA 161+50, CL	106"	91"	637.69	73"	58"	30"	637.79	24"	19 9"	15"	640.18	-	12"	-	46 9"	-	12'-2"	6'-4"	7.76	644.86	648.60	635.52				
DRN9	8	STA 162+60, CL	106"	91"	637.55	73"	58"	16"	640.80	12"	106"	91"	637.65	73"	58"	16"	640.80	12"	12"	16"	12"	16"	12'-2"	5'-4"	7.86	644.82	646.24	635.38
DRN9	11	STA 163+76, CL	106"	91"	637.87	73"	58"	16"	639.70	12"	106"	91"	637.97	73"	58"	16"	639.70	12"	12"	16"	12"	16"	12'-2"	5'-4"	7.25	644.53	645.36	635.70
DRN9	16	STA 164+80, CL	-	-	-	-	-	-	-	-	106"	91"	638.15	73"	58"	-	-	-	12"	-	12'-2"	5'-4"	7.21	644.77	645.60	635.98		
DRN3	J1	STA 92+85, CL	30"	24"	623.30	30"	24"	16"	625.05	12"	95"	83"	622.55	67"	53"	16"	625.05	12"	45.5"	16"	12"	6'-11 1/2"	5'-4"	6.92	628.80	629.72	620.30	
DRN3	J2	STA 93+95, CL	97"	83"	622.44	67"	53"	16"	624.94	12"	95"	83"	622.44	67"	53"	16"	624.94	12"	12"	16"	12"	7'-3 1/2"	5'-4"	7.25	629.02	630.56	620.19	
DRN3	J3	STA 96+15, CL	97"	83"	622.23	67"	53"	16"	624.73	12"	95"	83"	622.23	67"	53"	-	-	-	12"	16"	12"	6'-11 1/2"	5'-4"	7.40	628.45	630.17	619.87	

BASIS OF PAYMENT:
TO BE PAID FOR AT THE CONTRACT UNIT PRICE PER EACH FOR JUNCTION CHAMBER NO. 2

WILL COUNTY DEPARTMENT OF HIGHWAYS
PLAINFIELD-NAPERVILLE ROAD (C.H. 14)
ROADWAY RECONSTRUCTION
DRAINAGE DETAILS
JUNCTION CHAMBER, NO. 2

McDonough Associates Inc.
Engineers/Architects

DESIGNED BY: NJL
CHECKED BY: JTF
DRAWN BY: JTF

SCALE:
N.T.S.

NO.	DATE	REVISION	BY