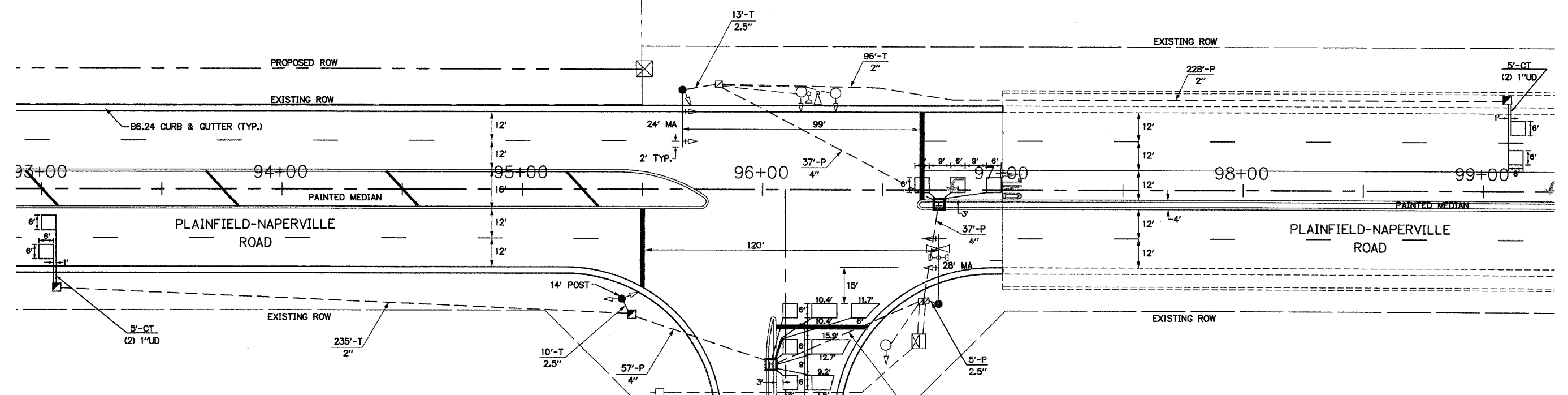


ROUTE NO.	SECTION	COUNTY	TOTAL SHEETS	SHEET NO.
FAU 2545	*	WILL	147	96
FED. ROAD DIST. NO. 7		KILGORE	FED. AID PROJECT	
* 98-00036-19-FP		CONTRACT NO. 83896		



**SUMMARY OF QUANTITIES**

PAY ITEM	UNIT	QUANTITY
CONDUIT IN TRENCH, 2" DIA., GALVANIZED STEEL	FOOT	381
CONDUIT IN TRENCH, 2 1/2" DIA., GALVANIZED STEEL	FOOT	28
CONDUIT PUSHED, 2" DIA., GALVANIZED STEEL	FOOT	228
CONDUIT PUSHED, 4" DIA., GALVANIZED STEEL	FOOT	257
HANDHOLE	EACH	3
HEAVY-DUTY HANDHOLE	EACH	2
TRENCH AND BACKFILL FOR ELECTRICAL WORK	FOOT	409
ELECTRIC CABLE IN CONDUIT, SIGNAL NO. 14 5C	FOOT	1290
ELECTRIC CABLE IN CONDUIT, SIGNAL NO. 14 7C	FOOT	680
ELECTRIC CABLE IN CONDUIT, LEAD-IN, NO. 14 1 PAIR	FOOT	1245
TRAFFIC SIGNAL POST, 14 FT.	EACH	1
STEEL MAST ARM ASSEMBLY AND POLE, 24 FT.	EACH	1
STEEL MAST ARM ASSEMBLY AND POLE, 28 FT.	EACH	1
CONCRETE FOUNDATION, TYPE A	FOOT	3
CONCRETE FOUNDATION, TYPE E 30-INCH DIAMETER	FOOT	20
INDUCTIVE LOOP DETECTOR	EACH	5
DETECTOR LOOP, TYPE I	FOOT	670
TEMPORARY TRAFFIC SIGNAL INSTALLATION	EACH	1
REMOVE EXISTING TRAFFIC SIGNAL EQUIPMENT	EACH	1
REMOVE EXISTING CONCRETE FOUNDATION	EACH	3
ELECTRIC CABLE IN CONDUIT, GROUND, NO. 6 1C (GREEN)	FOOT	450
ELECTRIC CABLE IN CONDUIT NO. 20 3/C, TWISTED, SHIELDED	FOOT	360
RELOCATE INTERNALLY ILLUMINATED STREET NAME SIGN	EACH	2

**TRAFFIC SIGNAL LEGEND**

<b>PROPOSED</b>	<b>EXISTING</b>

DRAWING ID: C:\20030023 - Plainfield-Naperville Road\dwg\TS 104th.dwg  
PLOT DATE: 07/08/05 - 13:04

<b>WILL COUNTY DEPARTMENT OF HIGHWAYS</b>			
<b>PLAINFIELD-NAPERVILLE ROAD (C.H. 14)</b>			
<b>PROPOSED TRAFFIC SIGNAL PLAN</b>			
<b>BOUGHTON ROAD</b>			
		DESIGNED BY: NKU	SCALE: 1" = 20'
		CHECKED BY: MT	
		DRAWN BY: NKU	
NO.	DATE	REVISION	BY