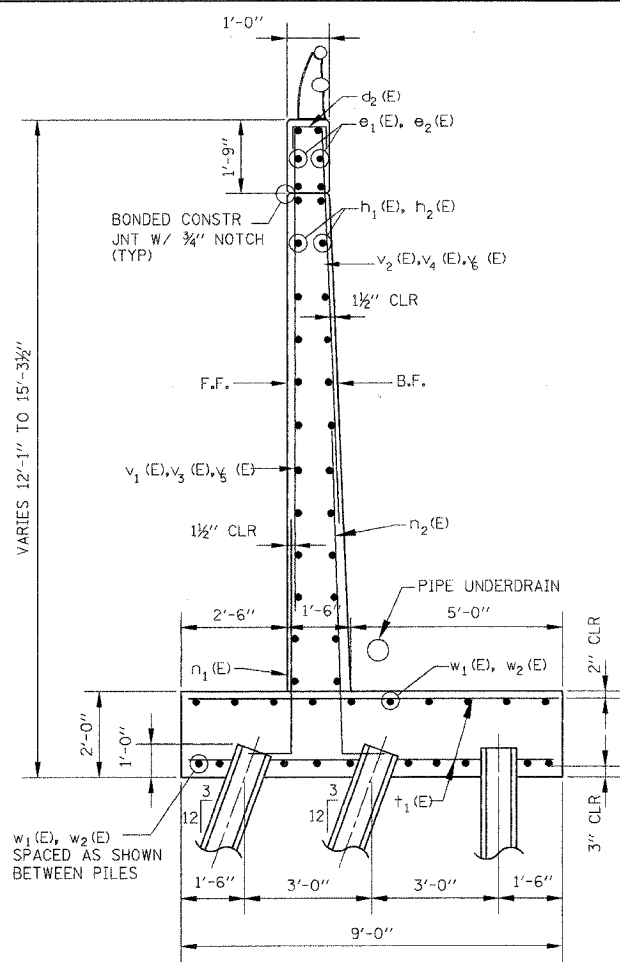
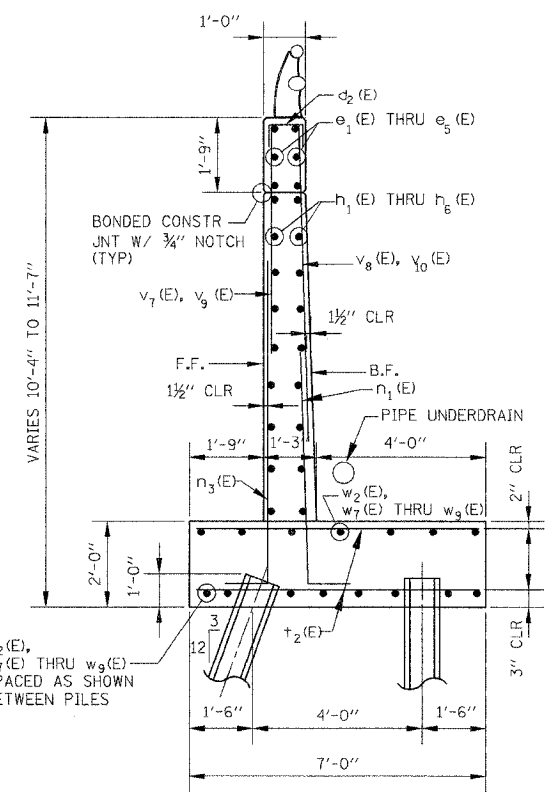


ROUTE NO.	SECTION	COUNTY	TOTAL SHEETS	SHEET NO.
FAU 2545	*	WILL	147	88
FIELD NO. DIST. NO. 7		LRMS	FEL. AG. PROJECT.	
98-00036-19-FP				

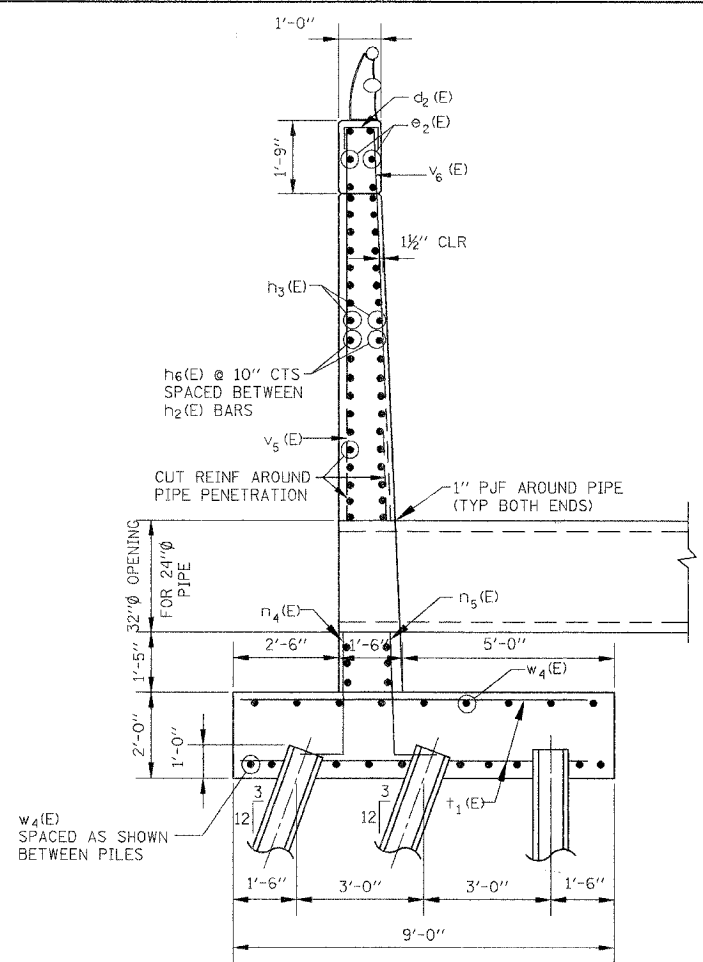
CONTRACT NO. 83896



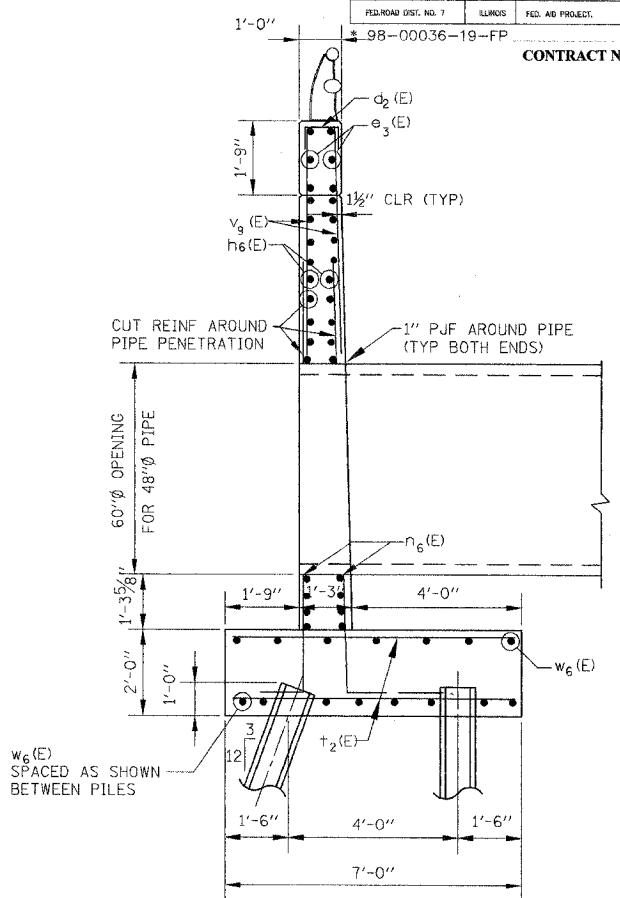
TYPICAL SECTION A-A
PANEL #1 THRU PANEL #15



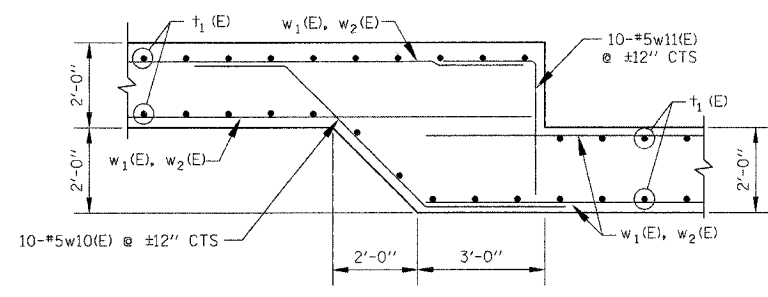
TYPICAL SECTION B-B
PANEL #16 THRU PANEL #30



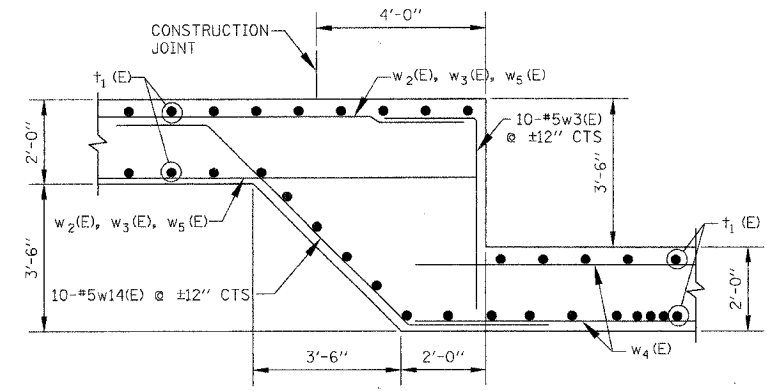
SECTION C-C



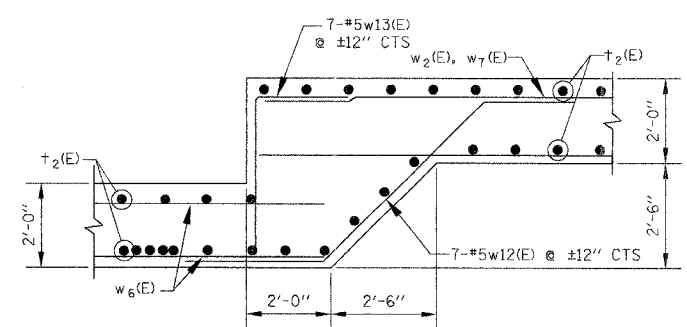
SECTION D-D



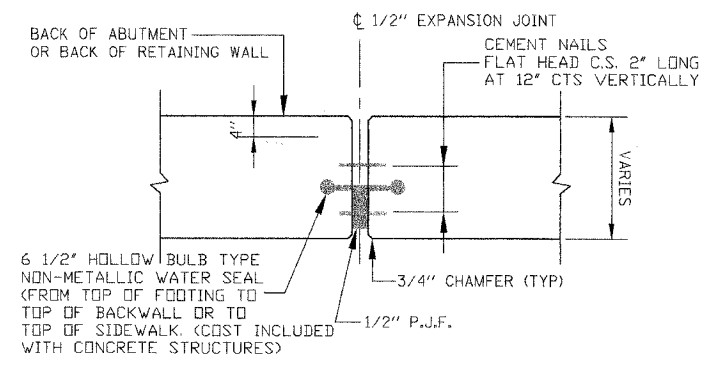
DETAIL 1
(5 LOCATIONS)



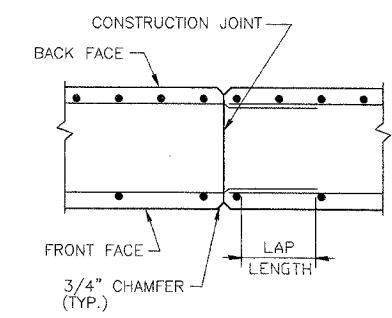
DETAIL 3
(2 LOCATIONS)



DETAIL 4
(2 LOCATIONS)



EXPANSION JOINT DETAIL
SCALE: N.T.S.



CONSTRUCTION JOINT DETAIL
SCALE: N.T.S.

NOTES:
REINFORCEMENT DESIGNATED (E) SHALL BE EPOXY COATED.

S-09

NO.	DATE	REVISION	BY

WILL COUNTY DEPARTMENT OF HIGHWAYS
PLAINFIELD-NAPERVILLE ROAD (C.H. 14)
ROADWAY RECONSTRUCTION
RETAINING WALL
SECTION AND DETAILS

McDonough Associates Inc.
Engineers/Architects

DESIGNED BY: JCE
CHECKED BY: AWW
DRAWN BY: JCE

SCALE:
1/2"=1'-0"