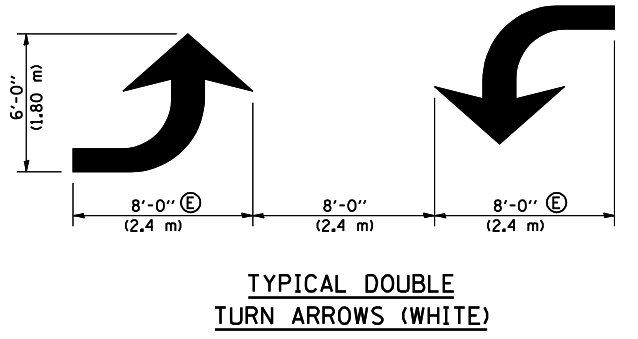
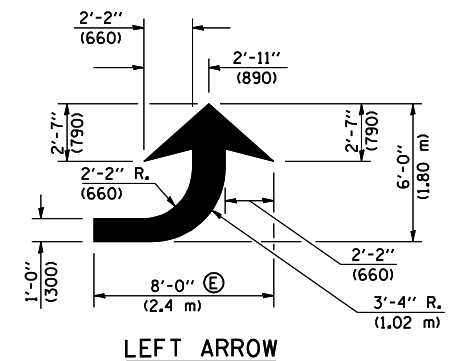


* REDUCE TO 40 FEET (12.2 METERS) ON CENTER ON CURVES WHERE ADVISORY SPEEDS ARE 10 MPH (15 km/h) LOWER THAN POSTED SPEEDS.

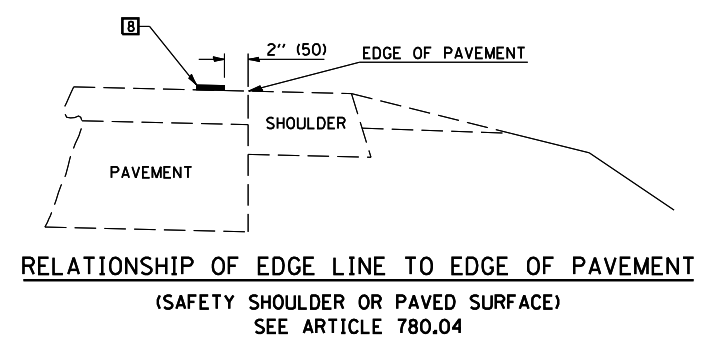
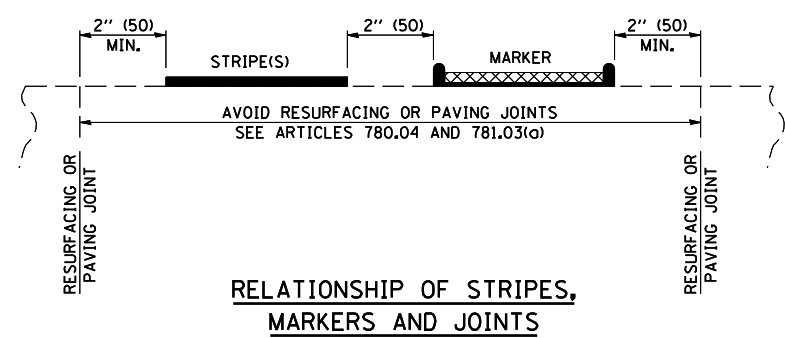
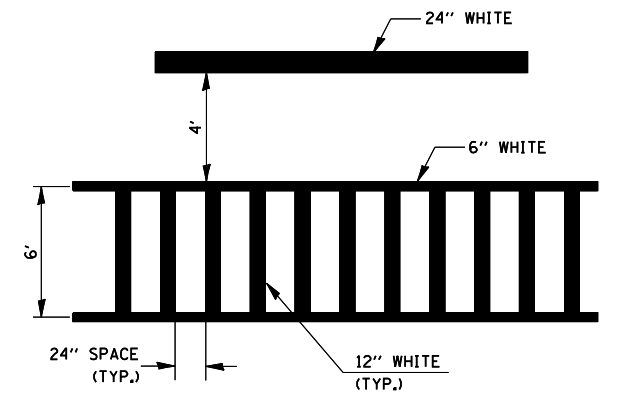
** DOUBLE LANE LINE MARKERS SHALL BE SPECIFIED AND SPACED AS SHOWN IN HIGHWAY STANDARD 781001 FOR MULTI-LANE DIVIDED AND UNDIVIDED HIGHWAYS.

NOTES:

- Ⓑ TURN ARROW PAIRS SHALL BE PLACED AT 250' (75 m) INTERVALS AND SHALL BE EVENLY SPACED BETWEEN BOTH ENDS OF THE BIDIRECTIONAL LEFT TURN LANE.
- Ⓒ THE SOLID YELLOW PAVEMENT MARKINGS [2] SHOULD GENERALLY START OR END NEAR THE RADIUS POINT OF EACH STREET RETURN EXCEPT WHERE ONE OR BOTH ENDS WOULD INCLUDE STOP BARS.
- Ⓓ THE SKIP-DASH PAVEMENT MARKINGS [1] OR [7] SHOULD BE CENTERED BETWEEN BOTH ENDS OF EACH CITY BLOCK AND SHALL BE PLACED SO THEY LINE UP ACROSS FROM EACH OTHER. SEE EXAMPLE ON SHEET 2 OF 3.
- Ⓔ TURN ARROW SIZE DEPENDS ON THE LOCATION. RURAL LOCATION - LARGE ARROW SIZE. URBAN LOCATION - SMALL ARROW SIZE



BLOOMINGTON-NORMAL CITY LIMITS ONLY



Note: All dimensions are in INCHES (millimeters) unless otherwise shown.

DATE	REVISIONS	NAME
11/06	REPLACED DETAIL F-5.25	TJB

ILLINOIS DEPARTMENT OF TRANSPORTATION
PAVEMENT MARKING AND MARKERS (RURAL & URBAN APPLICATIONS)
DISTRICT 5 DETAIL NO. 7800AAA

PLOT DATE = 3/27/2007
 FILE NAME = c:\projects\48938801\081\ext.dgn
 PLOT SCALE = 42.3524 / IN.
 USER NAME = cecrollit