

If you plan to submit a bid directly to the Department of Transportation

PREQUALIFICATION

Any contractor who desires to become pre-qualified to bid on work advertised by IDOT must submit the properly completed pre-qualification forms to the Bureau of Construction no later than 4:30 p.m. prevailing time twenty-one days prior to the letting of interest. This pre-qualification requirement applies to first time contractors, contractors renewing expired ratings, contractors maintaining continuous pre-qualification or contractors requesting revised ratings. To be eligible to bid, existing pre-qualification ratings must be effective through the date of letting.

REQUESTS FOR AUTHORIZATION TO BID

Contractors downloading and/or ordering CD-ROM's and are wanting to bid on items included in a particular letting must submit the properly completed "Request for Authorization to Bid/or Not For Bid Status" (BDE 124INT) and the ORIGINAL, signed and notarized, "Affidavit of Availability" (BC 57) to the proper office no later than 4:30 p.m. prevailing time, three (3) days prior to the letting date.

WHO CAN BID ?

Bids will be accepted from only those companies that request and receive written **Authorization to Bid** from IDOT's Central Bureau of Construction.

WHAT CONSTITUTES WRITTEN AUTHORIZATION TO BID? When a prospective prime bidder submits a "Request for Authorization to Bid/or Not For Bid Status" (BDE 124INT) he/she must indicate at that time which items are being requested For Bidding purposes. Only those items requested For Bidding will be analyzed. After the request has been analyzed, the bidder will be issued a **Proposal Denial and/or Authorization Form**, approved by the Central Bureau of Construction, that indicates which items have been approved For Bidding. If **Authorization to Bid** cannot be approved, the **Proposal Denial and/or Authorization Form** will indicate the reason for denial.

ABOUT AUTHORIZATION TO BID: Firms that have not received an authorization form within a reasonable time of complete and correct original document submittal should contact the department as to status. This is critical in the week before the letting. These documents must be received three days before the letting date. Firms unsure as to authorization status should call the Prequalification Section of the Bureau of Construction at the number listed at the end of these instructions.

ADDENDA AND REVISIONS: It is the contractor's responsibility to determine which, if any, addenda or revisions pertain to any project they may be bidding. Failure to incorporate all relevant addenda or revisions may cause the bid to be declared unacceptable.

Each addendum will be placed with the contract number. Addenda and revisions will also be placed on the Addendum/Revision Checklist and each subscription service subscriber will be notified by e-mail of each addendum and revision issued.

The Internet is the Department's primary way of doing business. The subscription server e-mails are an added courtesy the Department provides. It is suggested that bidder check IDOT's website <http://www.dot.il.gov/desenv/delett.html> before submitting final bid information.

IDOT is not responsible for any e-mail related failures.

Addenda Questions may be directed to the Contracts Office at (217)782-7806 or D&Econtracts@dot.il.gov

Technical Questions about downloading these files may be directed to Tim Garman (217)524-1642 or garmantr@dot.il.gov.

WHAT MUST BE INCLUDED WHEN BIDS ARE SUBMITTED?: Bidders need not return the entire proposal when bids are submitted. That portion of the proposal that must be returned includes the following:

1. All documents from the Proposal Cover Sheet through the Proposal Bid Bond
2. Other special documentation and/or information that may be required by the contract special provisions

All proposal documents, including Proposal Guaranty Checks or Proposal Bid Bonds, should be stapled together to prevent loss when bids are processed by IDOT personnel.

ABOUT SUBMITTING BIDS: It is recommended that bidders deliver bids in person to insure they arrive at the proper location prior to the time specified for the receipt of bids. Any bid received at the place of letting after the time specified will not be accepted.

WHO SHOULD BE CALLED IF ASSISTANCE IS NEEDED?

Questions Regarding	Call
Prequalification and/or Authorization to Bid	(217)782-3413
Preparation and submittal of bids	(217)782-7806
Mailing of plans and proposals	(217)782-7806
Electronic plans and proposals	(217)524-1642

ADDENDUMS AND REVISIONS TO THE PROPOSAL FORMS

Planholders should verify that they have received and incorporated the addendum and/or revision prior to submitting their bid. Failure by the bidder to include an addendum could result in a bid being rejected as irregular.

299

RETURN WITH BID

Proposal Submitted By
Name
Address
City

Letting June 15, 2007

BIDDERS NEED NOT RETURN THE ENTIRE PROPOSAL
(See instructions inside front cover)

NOTICE TO PROSPECTIVE BIDDERS

This proposal can be used for bidding purposes by only those companies that request and receive written AUTHORIZATION TO BID from IDOT's Central Bureau of Construction.

(SEE INSTRUCTIONS ON THE INSIDE OF COVER)

Notice To Bidders, Specifications, Proposal, Contract and Contract Bond



**Illinois Department
of Transportation**

Springfield, Illinois 62764

**Contract No. 68694
PEORIA-TAZEWELL Counties
Section D4 ITS SYSTEM 2007
Route FAP 317
Project ITS-217(101)
District 4 Construction Funds**

PLEASE MARK THE APPROPRIATE BOX BELOW:

- A Bid Bond is included.
- A Cashier's Check or a Certified Check is included

Plans Included
Herein

Prepared by

F

Checked by

(Printed by authority of the State of Illinois)

INSTRUCTIONS

ABOUT IDOT PROPOSALS: All proposals issued by IDOT are potential bidding proposals. Each proposal contains all Certifications and Affidavits, a Proposal Signature Sheet and a Proposal Bid Bond required for Prime Contractors to submit a bid after written **Authorization to Bid** has been issued by IDOT's Central Bureau of Construction.

WHO CAN BID?: Bids will be accepted from only those companies that request and receive written **Authorization to Bid** from IDOT's Central Bureau of Construction. To request authorization, a potential bidder must complete and submit Part B of the Request for Authorization to Bid/or Not For Bid Status form (BDE 124 INT) and submit an original Affidavit of Availability (BC 57).

WHAT CONSTITUTES WRITTEN AUTHORIZATION TO BID?: When a prospective prime bidder submits a "Request for Proposal Forms and Plans" he/she must indicate at that time which items are being requested For Bidding purposes. Only those items requested For Bidding will be analyzed. After the request has been analyzed, the bidder will be issued a **Proposal Denial and/or Authorization Form**, approved by the Central Bureau of Construction, that indicates which items have been approved For Bidding. If **Authorization to Bid** cannot be approved, the **Proposal Denial and/or Authorization Form** will indicate the reason for denial. If a contractor has requested to bid but has not received a **Proposal Denial and/or Authorization Form**, they should contact the Central Bureau of Construction in advance of the letting date.

WHAT MUST BE INCLUDED WHEN BIDS ARE SUBMITTED?: Bidders need not return the entire proposal when bids are submitted. That portion of the proposal that must be returned includes the following:

1. All documents from the Proposal Cover Sheet through the Proposal Bid Bond
2. Other special documentation and/or information that may be required by the contract special provisions

All proposal documents, including Proposal Guaranty Checks or Proposal Bid Bonds, should be stapled together to prevent loss when bids are processed by IDOT personnel.

ABOUT SUBMITTING BIDS: It is recommended that bidders deliver bids in person to insure they arrive at the proper location prior to the time specified for the receipt of bids. Any bid received at the place of letting after the time specified will not be accepted.

WHO SHOULD BE CALLED IF ASSISTANCE IS NEEDED?

Questions Regarding	Call
Prequalification and/or Authorization to Bid	217/782-3413
Preparation and submittal of bids	217/782-7806
Mailing of CD-ROMS	217/782-7806

RETURN WITH BID



PROPOSAL

TO THE DEPARTMENT OF TRANSPORTATION

1. Proposal of _____

Taxpayer Identification Number (Mandatory) _____

for the improvement identified and advertised for bids in the Invitation for Bids as:

**Contract No. 68694
PEORIA-TAZEWELL Counties
Section D4 ITS SYSTEM 2007
Project ITS-217(101)
Route FAP 317
District 4 Construction Funds**

This project consists of installing CC TV cameras on existing mast arms at 3 intersections located in Peoria and East Peoria.

2. The undersigned bidder will furnish all labor, material and equipment to complete the above described project in a good and workmanlike manner as provided in the contract documents provided by the Department of Transportation. This proposal will become part of the contract and the terms and conditions contained in the contract documents shall govern performance and payments.

RETURN WITH BID

3. **ASSURANCE OF EXAMINATION AND INSPECTION/WAIVER.** The undersigned further declares that he/she has carefully examined the proposal, plans, specifications, form of contract and contract bond, and special provisions, and that he/she has inspected in detail the site of the proposed work, and that he/she has familiarized themselves with all of the local conditions affecting the contract and the detailed requirements of construction, and understands that in making this proposal he/she waives all right to plead any misunderstanding regarding the same.

4. **EXECUTION OF CONTRACT AND CONTRACT BOND.** The undersigned further agrees to execute a contract for this work and present the same to the department within fifteen (15) days after the contract has been mailed to him/her. The undersigned further agrees that he/she and his/her surety will execute and present within fifteen (15) days after the contract has been mailed to him/her contract bond satisfactory to and in the form prescribed by the Department of Transportation, in the penal sum of the full amount of the contract, guaranteeing the faithful performance of the work in accordance with the terms of the contract.

5. **PROPOSAL GUARANTY.** Accompanying this proposal is either a bid bond on the department form, executed by a corporate surety company satisfactory to the department, or a proposal guaranty check consisting of a bank cashier's check or a properly certified check for not less than 5 per cent of the amount bid or for the amount specified in the following schedule:

<u>Amount of Bid</u>		<u>Proposal Guaranty</u>	<u>Amount of Bid</u>		<u>Proposal Guaranty</u>	
Up to	\$5,000	\$150	\$2,000,000	to	\$3,000,000	\$100,000
\$5,000	to \$10,000	\$300	\$3,000,000	to	\$5,000,000	\$150,000
\$10,000	to \$50,000	\$1,000	\$5,000,000	to	\$7,500,000	\$250,000
\$50,000	to \$100,000	\$3,000	\$7,500,000	to	\$10,000,000	\$400,000
\$100,000	to \$150,000	\$5,000	\$10,000,000	to	\$15,000,000	\$500,000
\$150,000	to \$250,000	\$7,500	\$15,000,000	to	\$20,000,000	\$600,000
\$250,000	to \$500,000	\$12,500	\$20,000,000	to	\$25,000,000	\$700,000
\$500,000	to \$1,000,000	\$25,000	\$25,000,000	to	\$30,000,000	\$800,000
\$1,000,000	to \$1,500,000	\$50,000	\$30,000,000	to	\$35,000,000	\$900,000
\$1,500,000	to \$2,000,000	\$75,000	over		\$35,000,000	\$1,000,000

Bank cashier's checks or properly certified checks accompanying proposals shall be made payable to the Treasurer, State of Illinois, when the state is awarding authority; the county treasurer, when a county is the awarding authority; or the city, village, or town treasurer, when a city, village, or town is the awarding authority.

If a combination bid is submitted, the proposal guaranties which accompany the individual proposals making up the combination will be considered as also covering the combination bid.

The amount of the proposal guaranty check is _____ \$(_____). If this proposal is accepted and the undersigned shall fail to execute a contract bond as required herein, it is hereby agreed that the amount of the proposal guaranty shall become the property of the State of Illinois, and shall be considered as payment of damages due to delay and other causes suffered by the State because of the failure to execute said contract and contract bond; otherwise, the bid bond shall become void or the proposal guaranty check shall be returned to the undersigned.

Attach Cashier's Check or Certified Check Here

In the event that one proposal guaranty check is intended to cover two or more proposals, the amount must be equal to the sum of the proposal guaranties which would be required for each individual proposal. If the guaranty check is placed in another proposal, state below where it may be found.

The proposal guaranty check will be found in the proposal for:

Item _____

Section No. _____

County _____

Mark the proposal cover sheet as to the type of proposal guaranty submitted.

BD 354 (Rev. 11/2001)

RETURN WITH BID

6. **COMBINATION BIDS.** The undersigned further agrees that if awarded the contract for the sections contained in the following combination, he/she will perform the work in accordance with the requirements of each individual proposal comprising the combination bid specified in the schedule below, and that the combination bid shall be prorated against each section in proportion to the bid submitted for the same. If an error is found to exist in the gross sum bid for one or more of the individual sections included in a combination, the combination bid shall be corrected as provided in the specifications.

When a combination bid is submitted, the schedule below must be completed in each proposal comprising the combination.

If alternate bids are submitted for one or more of the sections comprising the combination, a combination bid must be submitted for each alternate.

Schedule of Combination Bids

Combination No.	Sections Included in Combination	Combination Bid	
		Dollars	Cents

7. **SCHEDULE OF PRICES.** The undersigned bidder submits herewith, in accordance with the rules and instructions, a schedule of prices for the items of work for which bids are sought. The unit prices bid are in U.S. dollars and cents, and all extensions and summations have been made. The bidder understands that the quantities appearing in the bid schedule are approximate and are provided for the purpose of obtaining a gross sum for the comparison of bids. If there is an error in the extension of the unit prices, the unit prices shall govern. Payment to the contractor awarded the contract will be made only for actual quantities of work performed and accepted or materials furnished according to the contract. The scheduled quantities of work to be done and materials to be furnished may be increased, decreased or omitted as provided elsewhere in the contract.
8. **CERTIFICATE OF AUTHORITY.** The undersigned bidder, if a business organized under the laws of another State, assures the Department that it will furnish a copy of its certificate of authority to do business in the State of Illinois with the return of the executed contract and bond. Failure to furnish the certificate within the time provided for execution of an awarded contract may be cause for cancellation of the award and forfeiture of the proposal guaranty to the State.

ILLINOIS DEPARTMENT OF TRANSPORTATION
 SCHEDULE OF PRICES
 CONTRACT
 NUMBER - 68694

State Job # - C-75-002-03
 PPS NBR - ITS
 County Name - PEORIA- TAZEWELL-
 Code - 143 - 179 -
 District - 4 - 4 -
 Section Number - D4 ITS SYSTEM 2007

Project Number
 ITS-021-7/101/

Route
 FAP 317

Item Number	Pay Item Description	Unit of Measure	Quantity	x	Unit Price	=	Total Price
XX003940	20 AMP 1P CIR BREAKER	EACH	4.000				
X0323524	REM EX SURVEIL CAM EQ	EACH	2.000				
X0323898	CCTV DOME CAMERA	EACH	7.000				
X0323904	IDOT COMM CENTER NODE	L SUM	1.000				
X0323906	CAMERA POLE 45 FT	EACH	1.000				
X0323912	E PEO PUB SF BLD NODE	L SUM	1.000				
X0323913	FIBER OPTIC LINK CCTV	EACH	7.000				
X0323921	POLE MT EQUIP CAB TC	EACH	3.000				
X0325717	PEO PUB WKS DR LN NOD	L SUM	1.000				
X0325718	FIB OPT CONN ST FU SP	EACH	20.000				
X0325719	FIB OPT LINK CCTV MM	EACH	1.000				
X0325720	POLE MT EQ CAB TC IO	EACH	1.000				
X0325721	CCTV LOCAL CONT PANEL	EACH	4.000				
X8710020	FOCC62.5/125 MM12SM12	FOOT	382.500				
X8710028	FIB OPT CBL 6F SM	FOOT	1,904.000				

ILLINOIS DEPARTMENT OF TRANSPORTATION
 SCHEDULE OF PRICES
 CONTRACT
 NUMBER - 68694

State Job # - C-75-002-03
 PPS NBR - ITS
 County Name - PEORIA- TAZEWELL-
 Code - 143 - 179 -
 District - 4 - 4 -
 Section Number - D4 ITS SYSTEM 2007

Project Number
 ITS-021-7/101/

Route
 FAP 317

Item Number	Pay Item Description	Unit of Measure	Quantity	x	Unit Price	=	Total Price
X8710071	FIB OPT FUSION SPLICE	EACH	41.000				
67100100	MOBILIZATION	L SUM	1.000				
70100310	TRAF CONT-PROT 701421	L SUM	1.000				
70102630	TR CONT & PROT 701601	L SUM	1.000				
70102635	TR CONT & PROT 701701	L SUM	1.000				
81012500	CON T 1 1/2 PVC	FOOT	158.000				
81012600	CON T 2 PVC	FOOT	105.000				
81400105	HANDHOLE SPL	EACH	1.000				
81702120	EC C XLP USE 1C 8	FOOT	3,294.000				
81900200	TR & BKFIL F ELECT WK	FOOT	105.000				
81900205	TR & BKFIL ELEC W SPL	FOOT	158.000				
86300405	CONT CAB TYPE IV SPL	EACH	1.000				
87800200	CONC FDN TY D	FOOT	3.500				
87800415	CONC FDN TY E 36D	FOOT	15.000				
87900100	DRILL EX FOUNDATION	EACH	1.000				

ILLINOIS DEPARTMENT OF TRANSPORTATION
 SCHEDULE OF PRICES
 CONTRACT
 NUMBER - 68694

State Job # - C-75-002-03
 PPS NBR - ITS
 County Name - PEORIA- TAZEWELL-
 Code - 143 - 179 -
 District - 4 - 4 -
 Section Number - D4 ITS SYSTEM 2007

Project Number
 ITS-021-7/101/

Route
 FAP 317

Item Number	Pay Item Description	Unit of Measure	Quantity	x	Unit Price	=	Total Price
87900200	DRILL EX HANDHOLE	EACH	3.000				

CONTRACT NUMBER

68694

THIS IS THE TOTAL BID

\$ _____

NOTES:

1. Each PAY ITEM should have a UNIT PRICE and a TOTAL PRICE.
2. The UNIT PRICE shall govern if no TOTAL PRICE is shown or if there is a discrepancy between the product of the UNIT PRICE multiplied by the QUANTITY.
3. If a UNIT PRICE is omitted, the TOTAL PRICE will be divided by the QUANTITY in order to establish a UNIT PRICE.
4. A bid may be declared UNACCEPTABLE if neither a unit price nor a total price is shown.

RETURN WITH BID

STATE REQUIRED ETHICAL STANDARDS GOVERNING CONTRACT PROCUREMENT: ASSURANCES, CERTIFICATIONS AND DISCLOSURES

I. GENERAL

A. Article 50 of the Illinois Procurement Code establishes the duty of all State chief procurement officers, State purchasing officers, and their designees to maximize the value of the expenditure of public moneys in procuring goods, services, and contracts for the State of Illinois and to act in a manner that maintains the integrity and public trust of State government. In discharging this duty, they are charged by law to use all available information, reasonable efforts, and reasonable actions to protect, safeguard, and maintain the procurement process of the State of Illinois.

B. In order to comply with the provisions of Article 50 and to carry out the duty established therein, all bidders are to adhere to ethical standards established for the procurement process, and to make such assurances, disclosures and certifications required by law. By execution of the Proposal Signature Sheet, the bidder indicates that each of the mandated assurances has been read and understood, that each certification is made and understood, and that each disclosure requirement has been understood and completed.

C. In addition to all other remedies provided by law, failure to comply with any assurance, failure to make any disclosure or the making of a false certification shall be grounds for termination of the contract and the suspension or debarment of the bidder.

II. ASSURANCES

A. The assurances hereinafter made by the bidder are each a material representation of fact upon which reliance is placed should the Department enter into the contract with the bidder. The Department may terminate the contract if it is later determined that the bidder rendered a false or erroneous assurance, and the surety providing the performance bond shall be responsible for the completion of the contract.

B. Felons

1. The Illinois Procurement Code provides:

Section 50-10. Felons. Unless otherwise provided, no person or business convicted of a felony shall do business with the State of Illinois or any state agency from the date of conviction until 5 years after the date of completion of the sentence for that felony, unless no person held responsible by a prosecutorial office for the facts upon which the conviction was based continues to have any involvement with the business.

2. The bidder assures the Department that the award and execution of the contract would not cause a violation of Section 50-10.

C. Conflicts of Interest

1. The Illinois Procurement Code provides in pertinent part:

Section 50-13. Conflicts of Interest.

(a) Prohibition. It is unlawful for any person holding an elective office in this State, holding a seat in the General Assembly, or appointed to or employed in any of the offices or agencies of state government and who receives compensation for such employment in excess of 60% of the salary of the Governor of the State of Illinois, or who is an officer or employee of the Capital Development Board or the Illinois Toll Highway Authority, or who is the spouse or minor child of any such person to have or acquire any contract, or any direct pecuniary interest in any contract therein, whether for stationery, printing, paper, or any services, materials, or supplies, that will be wholly or partially satisfied by the payment of funds appropriated by the General Assembly of the State of Illinois or in any contract of the Capital Development Board or the Illinois Toll Highway authority.

(b) Interests. It is unlawful for any firm, partnership, association or corporation, in which any person listed in subsection (a) is entitled to receive (i) more than 7 1/2% of the total distributable income or (ii) an amount in excess of the salary of the Governor, to have or acquire any such contract or direct pecuniary interest therein.

(c) Combined interests. It is unlawful for any firm, partnership, association, or corporation, in which any person listed in subsection (a) together with his or her spouse or minor children is entitled to receive (i) more than 15%, in the aggregate, of the total distributable income or (ii) an amount in excess of 2 times the salary of the Governor, to have or acquire any such contract or direct pecuniary interest therein.

(d) Securities. Nothing in this Section invalidates the provisions of any bond or other security previously offered or to be offered for sale or sold by or for the State of Illinois.

(e) Prior interests. This Section does not affect the validity of any contract made between the State and an officer or employee of the State or member of the General Assembly, his or her spouse, minor child or any combination of those persons if that contract was in existence before his or her election or employment as an officer, member, or employee. The contract is voidable, however, if it cannot be completed within 365 days after the officer, member, or employee takes office or is employed.

The current salary of the Governor is \$150,700.00. Sixty percent of the salary is \$90,420.00.

RETURN WITH BID

2. The bidder assures the Department that the award and execution of the contract would not cause a violation of Section 50-13, or that an effective exemption has been issued by the Board of Ethics to any individual subject to the Section 50-13 prohibitions pursuant to the provisions of Section 50-20 of the Code and Executive Order Number 3 (1998). Information concerning the exemption process is available from the Department upon request.

D. Negotiations

1. The Illinois Procurement Code provides in pertinent part:

Section 50-15. Negotiations.

(a) It is unlawful for any person employed in or on a continual contractual relationship with any of the offices or agencies of State government to participate in contract negotiations on behalf of that office or agency with any firm, partnership, association, or corporation with whom that person has a contract for future employment or is negotiating concerning possible future employment.

2. The bidder assures the Department that the award and execution of the contract would not cause a violation of Section 50-15, and that the bidder has no knowledge of any facts relevant to the kinds of acts prohibited therein.

E. Inducements

1. The Illinois Procurement Code provides:

Section 50-25. Inducement. Any person who offers or pays any money or other valuable thing to any person to induce him or her not to bid for a State contract or as recompense for not having bid on a State contract is guilty of a Class 4 felony. Any person who accepts any money or other valuable thing for not bidding for a State contract or who withholds a bid in consideration of the promise for the payment of money or other valuable thing is guilty of a Class 4 felony.

2. The bidder assures the Department that the award and execution of the contract would not cause a violation of Section 50-25, and that the bidder has no knowledge of any facts relevant to the kinds of acts prohibited therein.

F. Revolving Door Prohibition

1. The Illinois Procurement Code provides:

Section 50-30. Revolving door prohibition. Chief procurement officers, associate procurement officers, State purchasing officers, their designees whose principal duties are directly related to State procurement, and executive officers confirmed by the Senate are expressly prohibited for a period of 2 years after terminating an affected position from engaging in any procurement activity relating to the State agency most recently employing them in an affected position for a period of at least 6 months. The prohibition includes, but is not limited to: lobbying the procurement process; specifying; bidding; proposing bid, proposal, or contract documents; on their own behalf or on behalf of any firm, partnership, association, or corporation. This Section applies only to persons who terminate an affected position on or after January 15, 1999.

2. The bidder assures the Department that the award and execution of the contract would not cause a violation of Section 50-30, and that the bidder has no knowledge of any facts relevant to the kinds of acts prohibited therein.

G. Reporting Anticompetitive Practices

1. The Illinois Procurement Code provides:

Section 50-40. Reporting anticompetitive practices. When, for any reason, any vendor, bidder, contractor, chief procurement officer, State purchasing officer, designee, elected official, or State employee suspects collusion or other anticompetitive practice among any bidders, offerors, contractors, proposers, or employees of the State, a notice of the relevant facts shall be transmitted to the Attorney General and the chief procurement officer.

2. The bidder assures the Department that it has not failed to report any relevant facts concerning the practices addressed in Section 50-40 which may involve the contract for which the bid is submitted.

H. Confidentiality

1. The Illinois Procurement Code provides:

Section 50-45. Confidentiality. Any chief procurement officer, State purchasing officer, designee, or executive officer who willfully uses or allows the use of specifications, competitive bid documents, proprietary competitive information, proposals, contracts, or selection information to compromise the fairness or integrity of the procurement, bidding, or contract process shall be subject to immediate dismissal, regardless of the Personnel code, any contract, or any collective bargaining agreement, and may in addition be subject to criminal prosecution.

2. The bidder assures the Department that it has no knowledge of any fact relevant to the practices addressed in Section 50-45 which may involve the contract for which the bid is submitted.

RETURN WITH BID

I. Insider Information

1. The Illinois Procurement Act provides:

Section 50-50. Insider information. It is unlawful for any current or former elected or appointed State official or State employee to knowingly use confidential information available only by virtue of that office or employment for actual or anticipated gain for themselves or another person.

2. The bidder assures the Department that it has no knowledge of any facts relevant to the practices addressed in Section 50-50 which may involve the contract for which the bid is submitted.

III. CERTIFICATIONS

A. The certifications hereinafter made by the bidder are each a material representation of fact upon which reliance is placed should the Department enter into the contract with the bidder. The Department may terminate the contract if it is later determined that the bidder rendered a false or erroneous certification, and the surety providing the performance bond shall be responsible for completion of the contract.

B. Bribery

1. The Illinois Procurement Code provides:

Section 50-5. Bribery.

(a) Prohibition. No person or business shall be awarded a contract or subcontract under this Code who:

(1) has been convicted under the laws of Illinois or any other state of bribery or attempting to bribe an officer or employee of the State of Illinois or any other state in that officer's or employee's official capacity; or

(2) has made an admission of guilt of that conduct that is a matter of record but has not been prosecuted for that conduct.

(b) Businesses. No business shall be barred from contracting with any unit of State or local government as a result of a conviction under this Section of any employee or agent of the business if the employee or agent is no longer employed by the business and:

(1) the business has been finally adjudicated not guilty; or

(2) the business demonstrates to the governmental entity with which it seeks to contract, and that entity finds that the commission of the offense was not authorized, requested, commanded, or performed by a director, officer, or high managerial agent on behalf of the business as provided in paragraph (2) of subsection (a) of Section 5-4 of the Criminal Code of 1961.

(c) Conduct on behalf of business. For purposes of this Section, when an official, agent, or employee of a business committed the bribery or attempted bribery on behalf of the business and in accordance with the direction or authorization of a responsible official of the business, the business shall be chargeable with the conduct.

(d) Certification. Every bid submitted to and contract executed by the State shall contain a certification by the contractor that the contractor is not barred from being awarded a contract or subcontract under this Section. A contractor who makes a false statement, material to the certification, commits a Class 3 felony.

2. The bidder certifies that it is not barred from being awarded a contract under Section 50.5.

C. Educational Loan

1. Section 3 of the Educational Loan Default Act provides:

§ 3. No State agency shall contract with an individual for goods or services if that individual is in default, as defined in Section 2 of this Act, on an educational loan. Any contract used by any State agency shall include a statement certifying that the individual is not in default on an educational loan as provided in this Section.

2. The bidder, if an individual as opposed to a corporation, partnership or other form of business organization, certifies that the bidder is not in default on an educational loan as provided in Section 3 of the Act.

D. Bid-Rigging/Bid Rotating

1. Section 33E-11 of the Criminal Code of 1961 provides:

§ 33E-11. (a) Every bid submitted to and public contract executed pursuant to such bid by the State or a unit of local government shall contain a certification by the prime contractor that the prime contractor is not barred from contracting with any unit of State or local government as a result of a violation of either Section 33E-3 or 33E-4 of this Article. The State and units of local government shall provide the appropriate forms for such certification.

RETURN WITH BID

(b) A contractor who makes a false statement, material to the certification, commits a Class 3 felony.

A violation of Section 33E-3 would be represented by a conviction of the crime of bid-rigging which, in addition to Class 3 felony sentencing, provides that any person convicted of this offense or any similar offense of any state or the United States which contains the same elements as this offense shall be barred for 5 years from the date of conviction from contracting with any unit of State or local government. No corporation shall be barred from contracting with any unit of State or local government as a result of a conviction under this Section of any employee or agent of such corporation if the employee so convicted is no longer employed by the corporation and: (1) it has been finally adjudicated not guilty or (2) if it demonstrates to the governmental entity with which it seeks to contract and that entity finds that the commission of the offense was neither authorized, requested, commanded, nor performed by a director, officer or a high managerial agent in behalf of the corporation.

A violation of Section 33E-4 would be represented by a conviction of the crime of bid-rotating which, in addition to Class 2 felony sentencing, provides that any person convicted of this offense or any similar offense of any state or the United States which contains the same elements as this offense shall be permanently barred from contracting with any unit of State or local government. No corporation shall be barred from contracting with any unit of State or local government as a result of a conviction under this Section of any employee or agent of such corporation if the employee so convicted is no longer employed by the corporation and: (1) it has been finally adjudicated not guilty or (2) if it demonstrates to the governmental entity with which it seeks to contract and that entity finds that the commission of the offense was neither authorized, requested, commanded, nor performed by a director, officer or a high managerial agent in behalf of the corporation.

2. The bidder certifies that it is not barred from contracting with the Department by reason of a violation of either Section 33E-3 or Section 33E-4.

E. International Anti-Boycott

1. Section 5 of the International Anti-Boycott Certification Act provides:

§ 5. State contracts. Every contract entered into by the State of Illinois for the manufacture, furnishing, or purchasing of supplies, material, or equipment or for the furnishing of work, labor, or services, in an amount exceeding the threshold for small purchases according to the purchasing laws of this State or \$10,000.00, whichever is less, shall contain certification, as a material condition of the contract, by which the contractor agrees that neither the contractor nor any substantially-owned affiliated company is participating or shall participate in an international boycott in violation of the provisions of the U.S. Export Administration Act of 1979 or the regulations of the U.S. Department of Commerce promulgated under that Act.

2. The bidder makes the certification set forth in Section 5 of the Act.

F. Drug Free Workplace

1. The Illinois "Drug Free Workplace Act" applies to this contract and it is necessary to comply with the provisions of the "Act" if the contractor is a corporation, partnership, or other entity (including a sole proprietorship) which has 25 or more employees.

2. The bidder certifies that if awarded a contract in excess of \$5,000 it will provide a drug free workplace by:

(a) Publishing a statement notifying employees that the unlawful manufacture, distribution, dispensation, possession or use of a controlled substance, including cannabis, is prohibited in the contractor's workplace; specifying the actions that will be taken against employees for violations of such prohibition; and notifying the employee that, as a condition of employment on such contract, the employee shall abide by the terms of the statement, and notify the employer of any criminal drug statute conviction for a violation occurring in the workplace no later than five (5) days after such conviction.

(b) Establishing a drug free awareness program to inform employees about the dangers of drug abuse in the workplace; the contractor's policy of maintaining a drug free workplace; any available drug counseling, rehabilitation, and employee assistance programs; and the penalties that may be imposed upon employees for drug violations.

(c) Providing a copy of the statement required by subparagraph (1) to each employee engaged in the performance of the contract and to post the statement in a prominent place in the workplace.

(d) Notifying the Department within ten (10) days after receiving notice from an employee or otherwise receiving actual notice of the conviction of an employee for a violation of any criminal drug statute occurring in the workplace.

(e) Imposing or requiring, within 30 days after receiving notice from an employee of a conviction or actual notice of such a conviction, an appropriate personnel action, up to and including termination, or the satisfactory participation in a drug abuse assistance or rehabilitation program approved by a federal, state or local health, law enforcement or other appropriate agency.

(f) Assisting employees in selecting a course of action in the event drug counseling, treatment, and rehabilitation is required and indicating that a trained referral team is in place.

(g) Making a good faith effort to continue to maintain a drug free workplace through implementation of the actions and efforts stated in this certification.

G. Debt Delinquency

1. The Illinois Procurement Code provides:

Section 50-11 and 50-12. Debt Delinquency.

The contractor or bidder certifies that it, or any affiliate, is not barred from being awarded a contract under 30 ILCS 500. Section 50-11 prohibits a person from entering into a contract with a State agency if it knows or should know that it, or any affiliate, is delinquent in the payment of any debt to the State as defined by the Debt Collection Board. Section 50-12 prohibits a person from entering into a contract with a State agency if it, or any affiliate, has failed to collect and remit Illinois Use Tax on all sales of tangible personal property into the State of Illinois in accordance with the provisions of the Illinois Use Tax Act. The contractor further acknowledges that the contracting State agency may declare the contract void if this certification is false or if the contractor, or any affiliate, is determined to be delinquent in the payment of any debt to the State during the term of the contract.

H. Sarbanes-Oxley Act of 2002

1. The Illinois Procurement Code provides:

Section 50-60(c).

The contractor certifies in accordance with 30 ILCS 500/50-10.5 that no officer, director, partner or other managerial agent of the contracting business has been convicted of a felony under the Sarbanes-Oxley Act of 2002 or a Class 3 or Class 2 felony under the Illinois Securities Law of 1953 for a period of five years prior to the date of the bid or contract. The contractor acknowledges that the contracting agency shall declare the contract void if this certification is false.

I. Addenda

The contractor or bidder certifies that all relevant addenda have been incorporated in to this contract. Failure to do so may cause the bid to be declared unacceptable.

J. Section 42 of the Environmental Protection Act

The contractor certifies in accordance with 30 ILCS 500/50-12 that the bidder or contractor is not barred from being awarded a contract under this Section which prohibits the bidding on or entering into contracts with the State of Illinois or a State agency by a person or business found by a court or the Pollution Control Board to have committed a willful or knowing violation of Section 42 of the Environmental Protection Act for a period of five years from the date of the order. The contractor acknowledges that the contracting agency may declare the contract void if this certification is false.

K. Apprenticeship and Training Certification (Does not apply to federal aid projects)

In accordance with the provisions of Section 30-22 (6) of the Illinois Procurement Code, the bidder certifies that it is a participant, either as an individual or as part of a group program, in the approved apprenticeship and training programs applicable to each type of work or craft that the bidder will perform with its own forces. The bidder further certifies for work that will be performed by subcontract that each of its subcontractors submitted for approval either (a) is, at the time of such bid, participating in an approved, applicable apprenticeship and training program; or (b) will, prior to commencement of performance of work pursuant to this contract, begin participation in an approved apprenticeship and training program applicable to the work of the subcontract. The Department, at any time before or after award, may require the production of a copy of each applicable Certificate of Registration issued by the United States Department of Labor evidencing such participation by the contractor and any or all of its subcontractors. Applicable apprenticeship and training programs are those that have been approved and registered with the United States Department of Labor. The bidder shall list in the space below, the official name of the program sponsor holding the Certificate of Registration for all of the types of work or crafts in which the bidder is a participant and that will be performed with the bidder's forces. Types of work or craft work that will be subcontracted shall be included and listed as subcontract work. The list shall also indicate any type of work or craft job category that does not have an applicable apprenticeship or training program. **The bidder is responsible for making a complete report and shall make certain that each type of work or craft job category that will be utilized on the project as reported on the Construction Employee Workforce Projection (Form BC-1256) and returned with the bid is accounted for and listed.**

NA - FEDERAL

The requirements of this certification and disclosure are a material part of the contract, and the contractor shall require this certification provision to be included in all approved subcontracts. In order to fulfill this requirement, it shall not be necessary that an applicable program sponsor be currently taking or that it will take applications for apprenticeship, training or employment during the performance of the work of this contract.

L. Executive Order Number 1 (2007) Regarding Lobbying on Government Procurements

The bidder hereby warrants and certifies that they have complied and will comply with the requirements set forth in this Order. The requirements of this warrant and certification are a material part of the contract, and the contractor shall require this warrant and certification provision to be included in all approved subcontracts.

TO BE RETURNED WITH BID

IV. DISCLOSURES

A. The disclosures hereinafter made by the bidder are each a material representation of fact upon which reliance is placed should the Department enter into the contract with the bidder. The Department may terminate the contract if it is later determined that the bidder rendered a false or erroneous disclosure, and the surety providing the performance bond shall be responsible for completion of the contract.

B. Financial Interests and Conflicts of Interest

1. Section 50-35 of the Illinois Procurement Code provides that all bids of more than \$10,000 shall be accompanied by disclosure of the financial interests of the bidder. This disclosed information for the successful bidder, will be maintained as public information subject to release by request pursuant to the Freedom of Information Act.

The financial interests to be disclosed shall include ownership or distributive income share that is in excess of 5%, or an amount greater than 60% of the annual salary of the Governor, of the bidding entity or its parent entity, whichever is less, unless the contractor or bidder is a publicly traded entity subject to Federal 10K reporting, in which case it may submit its 10K disclosure in place of the prescribed disclosure. If a bidder is a privately held entity that is exempt from Federal 10K reporting, but has more than 400 shareholders, it may submit the information that Federal 10K companies are required to report, and list the names of any person or entity holding any ownership share that is in excess of 5%. The disclosure shall include the names, addresses, and dollar or proportionate share of ownership of each person making the disclosure, their instrument of ownership or beneficial relationship, and notice of any potential conflict of interest resulting from the current ownership or beneficial interest of each person making the disclosure having any of the relationships identified in Section 50-35 and on the disclosure form.

In addition, all disclosures shall indicate any other current or pending contracts, proposals, leases, or other ongoing procurement relationships the bidding entity has with any other unit of state government and shall clearly identify the unit and the contract, proposal, lease, or other relationship.

2. Disclosure Forms. Disclosure Form A is attached for use concerning the individuals meeting the above ownership or distributive share requirements. Subject individuals should be covered each by one form. In addition, a second form (Disclosure Form B) provides for the disclosure of current or pending procurement relationships with other (non-IDOT) state agencies. **The forms must be included with each bid or incorporated by reference.**

C. Disclosure Form Instructions

Form A: For bidders that have previously submitted the information requested in Form A

The Department has retained the Form A disclosures submitted by all bidders responding to these requirements for the April 24, 1998 or any subsequent letting conducted by the Department. The bidder has the option of submitting the information again or the bidder may sign the following certification statement indicating that the information previously submitted by the bidder is, as of the date of signature, current and accurate. The Certification must be signed and dated by a person who is authorized to execute contracts for the bidding company. Before signing this certification, the bidder should carefully review its prior submissions to ensure the Certification is correct. If the Bidder signs the Certification, the Bidder should proceed to Form B instructions.

CERTIFICATION STATEMENT

I have determined that the Form A disclosure information previously submitted is current and accurate, and all forms are hereby incorporated by reference in this bid. Any necessary additional forms or amendments to previously submitted forms are attached to this bid.

(Bidding Company)

Name of Authorized Representative (type or print)

Title of Authorized Representative (type or print)

Signature of Authorized Representative

Date

Form A: For bidders who have NOT previously submitted the information requested in Form A

If the bidder is a publicly traded entity subject to Federal 10K reporting, the 10K Report may be submitted to meet the requirements of Form A. If a bidder is a privately held entity that is exempt from Federal 10K reporting, but has more than 400 shareholders, it may submit the information that Federal 10K companies are required to report, and list the names of any person or entity holding any ownership share that is in excess of 5%. If a bidder is not subject to Federal 10K reporting, the bidder must determine if any individuals are required by law to complete a financial disclosure form. To do this, the bidder should answer each of the following questions. A "YES" answer indicates Form A must be completed. If the answer to each of the following questions is "NO", then the NOT APPLICABLE STATEMENT on the second page of Form A must be signed and dated by a person that is authorized to execute contracts for the bidding company. Note: These questions are for assistance only and are not required to be completed.

1. Does anyone in your organization have a direct or beneficial ownership share of greater than 5% of the bidding entity or parent entity? YES ___ NO ___
2. Does anyone in your organization have a direct or beneficial ownership share of less than 5%, but which has a value greater than \$90,420.00? YES ___ NO ___
3. Does anyone in your organization receive more than \$90,420.00 of the bidding entity's or parent entity's distributive income? (Note: Distributive income is, for these purposes, any type of distribution of profits. An annual salary is not distributive income.) YES ___ NO ___
4. Does anyone in your organization receive greater than 5% of the bidding entity's or parent entity's total distributive income, but which is less than \$90,420.00? YES ___ NO ___
(Note: Only one set of forms needs to be completed per person per bid even if a specific individual would require a yes answer to more than one question.)

A "YES" answer to any of these questions requires the completion of Form A. The bidder must determine each individual in the bidding entity or the bidding entity's parent company that would cause the questions to be answered "Yes". Each form must be signed and dated by a person that is authorized to execute contracts for your organization. **Photocopied or stamped signatures are not acceptable.** The person signing can be, but does not have to be, the person for which the form is being completed. The bidder is responsible for the accuracy of any information provided.

If the answer to each of the above questions is "NO", then the NOT APPLICABLE STATEMENT on page 2 of Form A must be signed and dated by a person that is authorized to execute contracts for your company.

Form B: Identifying Other Contracts & Procurement Related Information Disclosure Form B must be completed for each bid submitted by the bidding entity. It must be signed by an individual who is authorized to execute contracts for the bidding entity. *Note: Signing the NOT APPLICABLE STATEMENT on Form A does not allow the bidder to ignore Form B. Form B must be completed, signed and dated or the bidder may be considered nonresponsive and the bid will not be accepted.*

The Bidder shall identify, by checking Yes or No on Form B, whether it has any pending contracts (including leases), bids, proposals, or other ongoing procurement relationship with any other (non-IDOT) State of Illinois agency. If "No" is checked, the bidder only needs to complete the signature box on the bottom of Form B. If "Yes" is checked, the bidder must do one of the following:

Option I: If the bidder did not submit an Affidavit of Availability to obtain authorization to bid, the bidder must list all non-IDOT State of Illinois agency pending contracts, leases, bids, proposals, and other ongoing procurement relationships. These items may be listed on Form B or on an attached sheet(s). Do not include IDOT contracts. Contracts with cities, counties, villages, etc. are not considered State of Illinois agency contracts and are not to be included. Contracts with other State of Illinois agencies such as the Department of Natural Resources or the Capital Development Board must be included. Bidders who submit Affidavits of Availability are suggested to use Option II.

Option II: If the bidder is required and has submitted an Affidavit of Availability in order to obtain authorization to bid, the bidder may write or type "See Affidavit of Availability" which indicates that the Affidavit of Availability is incorporated by reference and includes all non-IDOT State of Illinois agency pending contracts, leases, bids, proposals, and other ongoing procurement relationships. For any contracts that are not covered by the Affidavit of Availability, the bidder must identify them on Form B or on an attached sheet(s). These might be such things as leases.

D. Bidders Submitting More Than One Bid

Bidders submitting multiple bids may submit one set of forms consisting of all required Form A disclosures and one Form B for use with all bids. Please indicate in the space provided below the bid item that contains the original disclosure forms and the bid items which incorporate the forms by reference.

- The bid submitted for letting item _____ contains the Form A disclosures or Certification Statement and the Form B disclosures. The following letting items incorporate the said forms by reference:

RETURN WITH BID/OFFER

ILLINOIS DEPARTMENT OF TRANSPORTATION

Form A Financial Information & Potential Conflicts of Interest Disclosure

Contractor Name, Legal Address, City, State, Zip, Telephone Number, Email Address, Fax Number (if available)

Disclosure of the information contained in this Form is required by the Section 50-35 of the Illinois Procurement Code (30 ILCS 500). Vendors desiring to enter into a contract with the State of Illinois must disclose the financial information and potential conflict of interest information as specified in this Disclosure Form. This information shall become part of the publicly available contract file. This Form A must be completed for bids in excess of \$10,000, and for all open-ended contracts. A publicly traded company may submit a 10K disclosure (or equivalent if applicable) in satisfaction of the requirements set forth in Form A. See Disclosure Form Instructions.

DISCLOSURE OF FINANCIAL INFORMATION

1. Disclosure of Financial Information. The individual named below has an interest in the BIDDER (or its parent) in terms of ownership or distributive income share in excess of 5%, or an interest which has a value of more than \$90,420.00 (60% of the Governor's salary as of 7/1/01). (Make copies of this form as necessary and attach a separate Disclosure Form A for each individual meeting these requirements)

FOR INDIVIDUAL (type or print information)

NAME:

ADDRESS

Type of ownership/distributable income share:

stock sole proprietorship Partnership other: (explain on separate sheet): % or \$ value of ownership/distributable income share:

2. Disclosure of Potential Conflicts of Interest. Check "Yes" or "No" to indicate which, if any, of the following potential conflict of interest relationships apply. If the answer to any question is "Yes", please attach additional pages and describe.

(a) State employment, currently or in the previous 3 years, including contractual employment of services. Yes ___ No ___

If your answer is yes, please answer each of the following questions.

- 1. Are you currently an officer or employee of either the Capitol Development Board or the Illinois Toll Highway Authority? Yes ___ No ___
2. Are you currently appointed to or employed by any agency of the State of Illinois? If you are currently appointed to or employed by any agency of the State of Illinois, and your annual salary exceeds \$90,420.00, (60% of the Governor's salary as of 7/1/01) provide the name the State agency for which you are employed and your annual salary.

RETURN WITH BID/OFFER

- 3. If you are currently appointed to or employed by any agency of the State of Illinois, and your annual salary exceeds \$90,420.00, (60% of the Governor's salary as of 7/1/01) are you entitled to receive (i) more than 7 1/2% of the total distributable income of your firm, partnership, association or corporation, or (ii) an amount in excess of the salary of the Governor? Yes ___ No ___

- 4. If you are currently appointed to or employed by any agency of the State of Illinois, and your annual salary exceeds \$90,420.00, (60% of the Governor's salary as of 7/1/01) are you and your spouse or minor children entitled to receive (i) more than 15% in aggregate of the total distributable income of your firm, partnership, association or corporation, or (ii) an amount in excess of 2 times the salary of the Governor? Yes ___ No ___

(b) State employment of spouse, father, mother, son, or daughter, including contractual employment for services in the previous 2 years.

Yes ___ No ___

If your answer is yes, please answer each of the following questions.

- 1. Is your spouse or any minor children currently an officer or employee of the Capitol Development Board or the Illinois Toll Highway Authority? Yes ___ No ___

- 2. Is your spouse or any minor children currently appointed to or employed by any agency of the State of Illinois? If your spouse or minor children is/are currently appointed to or employed by any agency of the State of Illinois, and his/her annual salary exceeds \$90,420.00, (60% of the Governor's salary as of 7/1/01) provide the name of the spouse and/or minor children, the name of the State agency for which he/she is employed and his/her annual salary. _____

3. If your spouse or any minor children is/are currently appointed to or employed by any agency of the State of Illinois, and his/her annual salary exceeds \$90,420.00, (60% of the salary of the Governor as of 7/1/01) are you entitled to receive (i) more than 7 1/2% of the total distributable income of your firm, partnership, association or corporation, or (ii) an amount in excess of the salary of the Governor? Yes ___ No ___

4. If your spouse or any minor children are currently appointed to or employed by any agency of the State of Illinois, and his/her annual salary exceeds \$90,420.00, (60% of the Governor's salary as of 7/1/01) are you and your spouse or any minor children entitled to receive (i) more than 15% in the aggregate of the total distributable income from your firm, partnership, association or corporation, or (ii) an amount in excess of 2 times the salary of the Governor?

Yes ___ No ___

(c) Elective status; the holding of elective office of the State of Illinois, the government of the United States, any unit of local government authorized by the Constitution of the State of Illinois or the statutes of the State of Illinois currently or in the previous 3 years.

Yes ___ No ___

(d) Relationship to anyone holding elective office currently or in the previous 2 years; spouse, father, mother, son, or daughter.

Yes ___ No ___

(e) Appointive office; the holding of any appointive government office of the State of Illinois, the United State of America, or any unit of local government authorized by the Constitution of the State of Illinois or the statutes of the State of Illinois, which office entitles the holder to compensation in excess of the expenses incurred in the discharge of that office currently or in the previous 3 years.

Yes ___ No ___

(f) Relationship to anyone holding appointive office currently or in the previous 2 years; spouse, father, mother, son, or daughter.

Yes ___ No ___

(g) Employment, currently or in the previous 3 years, as or by any registered lobbyist of the State government.

Yes ___ No ___

RETURN WITH BID/OFFER

(h) Relationship to anyone who is or was a registered lobbyist in the previous 2 years; spouse, father, mother, son, or daughter. Yes ___ No ___

(i) Compensated employment, currently or in the previous 3 years, by any registered election or reelection committee registered with the Secretary of State or any county clerk of the State of Illinois, or any political action committee registered with either the Secretary of State or the Federal Board of Elections. Yes ___ No ___

(j) Relationship to anyone; spouse, father, mother, son, or daughter; who was a compensated employee in the last 2 years by any registered election or re-election committee registered with the Secretary of State or any county clerk of the State of Illinois, or any political action committee registered with either the Secretary of State or the Federal Board of Elections. Yes ___ No ___

APPLICABLE STATEMENT

This Disclosure Form A is submitted on behalf of the INDIVIDUAL named on previous page.

Completed by: _____
Name of Authorized Representative (type or print)

Completed by: _____
Title of Authorized Representative (type or print)

Completed by: _____
Signature of Individual or Authorized Representative _____ Date _____

NOT APPLICABLE STATEMENT

I have determined that no individuals associated with this organization meet the criteria that would require the completion of this Form A.

This Disclosure Form A is submitted on behalf of the CONTRACTOR listed on the previous page.

Name of Authorized Representative (type or print)

Title of Authorized Representative (type or print)

Signature of Authorized Representative _____ Date _____

RETURN WITH BID/OFFER

**ILLINOIS DEPARTMENT
OF TRANSPORTATION**

**Form B
Other Contracts &
Procurement Related Information
Disclosure**

Contractor Name		
Legal Address		
City, State, Zip		
Telephone Number	Email Address	Fax Number (if available)

Disclosure of the information contained in this Form is required by the Section 50-35 of the Illinois Procurement Act (30 ILCS 500). This information shall become part of the publicly available contract file. This Form B must be completed for bids in excess of \$10,000, and for all open-ended contracts.

DISCLOSURE OF OTHER CONTRACTS AND PROCUREMENT RELATED INFORMATION

1. Identifying Other Contracts & Procurement Related Information. The BIDDER shall identify whether it has any pending contracts (including leases), bids, proposals, or other ongoing procurement relationship with any other State of Illinois agency: Yes ___ No ___

If "No" is checked, the bidder only needs to complete the signature box on the bottom of this page.

2. If "Yes" is checked. Identify each such relationship by showing State of Illinois agency name and other descriptive information such as bid or project number (attach additional pages as necessary). SEE DISCLOSURE FORM INSTRUCTIONS:

THE FOLLOWING STATEMENT MUST BE SIGNED

Name of Authorized Representative (type or print)	

Title of Authorized Representative (type or print)	
_____	_____
Signature of Authorized Representative	Date

RETURN WITH BID

SPECIAL NOTICE TO CONTRACTORS

The following requirements of the Illinois Department of Human Rights' Rules and Regulations are applicable to bidders on all construction contracts advertised by the Illinois Department of Transportation:

CONSTRUCTION EMPLOYEE UTILIZATION PROJECTION

- (a) All bidders on construction contracts shall complete and submit, along with and as part of their bids, a Bidder's Employee Utilization Form (Form BC-1256) setting forth a projection and breakdown of the total workforce intended to be hired and/or allocated to such contract work by the bidder including a projection of minority and female employee utilization in all job classifications on the contract project.
- (b) The Department of Transportation shall review the Employee Utilization Form, and workforce projections contained therein, of the contract awardee to determine if such projections reflect an underutilization of minority persons and/or women in any job classification in accordance with the Equal Employment Opportunity Clause and Section 7.2 of the Illinois Department of Human Rights' Rules and Regulations for Public Contracts adopted as amended on September 17, 1980. If it is determined that the contract awardee's projections reflect an underutilization of minority persons and/or women in any job classification, it shall be advised in writing of the manner in which it is underutilizing and such awardee shall be considered to be in breach of the contract unless, prior to commencement of work on the contract project, it submits revised satisfactory projections or an acceptable written affirmative action plan to correct such underutilization including a specific timetable geared to the completion stages of the contract.
- (c) The Department of Transportation shall provide to the Department of Human Rights a copy of the contract awardee's Employee Utilization Form, a copy of any required written affirmative action plan, and any written correspondence related thereto. The Department of Human Rights may review and revise any action taken by the Department of Transportation with respect to these requirements.



RETURN WITH BID

Contract No. 68694
PEORIA-TAZEWELL Counties
Section D4 ITS SYSTEM 2007
Project ITS-217(101)
Route FAP 317
District 4 Construction Funds

PART I. IDENTIFICATION

Dept. Human Rights # _____ Duration of Project: _____

Name of Bidder: _____

PART II. WORKFORCE PROJECTION

A. The undersigned bidder has analyzed minority group and female populations, unemployment rates and availability of workers for the location in which this contract work is to be performed, and for the locations from which the bidder recruits employees, and hereby submits the following workforce projection including a projection for minority and female employee utilization in all job categories in the workforce to be allocated to this contract:

TABLE A

Table with 13 columns: JOB CATEGORIES, TOTAL EMPLOYEES (M, F), MINORITY EMPLOYEES (BLACK, HISPANIC, *OTHER MINOR. (M, F)), and TRAINEES (APPRENTICES (M, F), ON THE JOB TRAINEES (M, F)). Rows include OFFICIALS (MANAGERS), SUPERVISORS, FOREMEN, CLERICAL EQUIPMENT OPERATORS, MECHANICS, TRUCK DRIVERS, IRONWORKERS, CARPENTERS, CEMENT MASONS, ELECTRICIANS PIPEFITTERS, PLUMBERS, PAINTERS, LABORERS, SEMI-SKILLED, LABORERS, UNSKILLED, and TOTAL.

TABLE B

Table with 4 columns: CURRENT EMPLOYEES TO BE ASSIGNED TO CONTRACT (TOTAL EMPLOYEES (M, F), MINORITY EMPLOYEES (M, F)).

TABLE C

Table with 9 columns: EMPLOYEES IN TRAINING (TOTAL EMPLOYEES (M, F), BLACK (M, F), HISPANIC (M, F), *OTHER MINOR. (M, F)). Rows include APPRENTICES and ON THE JOB TRAINEES.

FOR DEPARTMENT USE ONLY

*Other minorities are defined as Asians (A) or Native Americans (N).

Please specify race of each employee shown in Other Minorities column.

Note: See instructions on the next page

RETURN WITH BID

**Contract No. 68694
PEORIA-TAZEWELL Counties
Section D4 ITS SYSTEM 2007
Project ITS-217(101)
Route FAP 317
District 4 Construction Funds**

PART II. WORKFORCE PROJECTION - continued

- B. Included in "Total Employees" under Table A is the total number of **new hires** that would be employed in the event the undersigned bidder is awarded this contract.

The undersigned bidder projects that: (number) _____ new hires would be recruited from the area in which the contract project is located; and/or (number) _____ new hires would be recruited from the area in which the bidder's principal office or base of operation is located.

- C. Included in "Total Employees" under Table A is a projection of numbers of persons to be employed directly by the undersigned bidder as well as a projection of numbers of persons to be employed by subcontractors.

The undersigned bidder estimates that (number) _____ persons will be directly employed by the prime contractor and that (number) _____ persons will be employed by subcontractors.

PART III. AFFIRMATIVE ACTION PLAN

- A. The undersigned bidder understands and agrees that in the event the foregoing minority and female employee utilization projection included under **PART II** is determined to be an underutilization of minority persons or women in any job category, and in the event that the undersigned bidder is awarded this contract, he/she will, prior to commencement of work, develop and submit a written Affirmative Action Plan including a specific timetable (geared to the completion stages of the contract) whereby deficiencies in minority and/or female employee utilization are corrected. Such Affirmative Action Plan will be subject to approval by the contracting agency and the **Department of Human Rights**.
- B. The undersigned bidder understands and agrees that the minority and female employee utilization projection submitted herein, and the goals and timetable included under an Affirmative Action Plan if required, are deemed to be part of the contract specifications.

Company _____ Telephone Number _____

Address _____

NOTICE REGARDING SIGNATURE

The Bidder's signature on the Proposal Signature Sheet will constitute the signing of this form. The following signature block needs to be completed only if revisions are required.

Signature: _____ Title: _____ Date: _____

Instructions: All tables must include subcontractor personnel in addition to prime contractor personnel.

Table A - Include both the number of employees that would be hired to perform the contract work and the total number currently employed (Table B) that will be allocated to contract work, and include all apprentices and on-the-job trainees. The "Total Employees" column should include all employees including all minorities, apprentices and on-the-job trainees to be employed on the contract work.

Table B - Include all employees currently employed that will be allocated to the contract work including any apprentices and on-the-job trainees currently employed.

Table C - Indicate the racial breakdown of the total apprentices and on-the-job trainees shown in Table A.

RETURN WITH BID

ADDITIONAL FEDERAL REQUIREMENTS

In addition to the Required Contract Provisions for Federal-Aid Construction Contracts (FHWA 1273), all bidders make the following certifications.

- A. By the execution of this proposal, the signing bidder certifies that the bidding entity has not, either directly or indirectly, entered into any agreement, participated in any collusion, or otherwise taken any action, in restraint of free competitive bidding in connection with the submitted bid. This statement made by the undersigned bidder is true and correct under penalty of perjury under the laws of the United States.
- B. CERTIFICATION, EQUAL EMPLOYMENT OPPORTUNITY:
1. Have you participated in any previous contracts or subcontracts subject to the equal opportunity clause. YES _____ NO _____
 2. If answer to #1 is yes, have you filed with the Joint Reporting Committee, the Director of OFCC, any Federal agency, or the former President's Committee on Equal Employment Opportunity, all reports due under the applicable filing requirements of those organizations? YES _____ NO _____

RETURN WITH BID

**Contract No. 68694
PEORIA-TAZEWELL Counties
Section D4 ITS SYSTEM 2007
Project ITS-217(101)
Route FAP 317
District 4 Construction Funds**

PROPOSAL SIGNATURE SHEET

The undersigned bidder hereby makes and submits this bid on the subject Proposal, thereby assuring the Department that all requirements of the Invitation for Bids and rules of the Department have been met, that there is no misunderstanding of the requirements of paragraph 3 of this Proposal, and that the contract will be executed in accordance with the rules of the Department if an award is made on this bid.

(IF AN INDIVIDUAL) Firm Name _____
Signature of Owner _____
Business Address _____

(IF A CO-PARTNERSHIP) Firm Name _____
By _____
Business Address _____
Name and Address of All Members of the Firm: _____

(IF A CORPORATION) Corporate Name _____
By _____
Signature of Authorized Representative _____
Typed or printed name and title of Authorized Representative _____

(IF A JOINT VENTURE, USE THIS SECTION FOR THE MANAGING PARTY AND THE SECOND PARTY SHOULD SIGN BELOW) Attest _____
Signature _____
Business Address _____

(IF A JOINT VENTURE) Corporate Name _____
By _____
Signature of Authorized Representative _____
Typed or printed name and title of Authorized Representative _____

Attest _____
Signature _____
Business Address _____

If more than two parties are in the joint venture, please attach an additional signature sheet.

RETURN WITH BID



Division of Highways
Proposal Bid Bond
(Effective November 1, 1992)

Item No.
Letting Date

KNOW ALL MEN BY THESE PRESENTS, That We

as PRINCIPAL, and

held jointly, severally and firmly bound unto the STATE OF ILLINOIS in the penal sum of 5 percent of the total bid price, or for the amount specified in Article 102.09 of the "Standard Specifications for Road and Bridge Construction" in effect on the date of invitation for bids, whichever is the lesser sum, well and truly to be paid unto said STATE OF ILLINOIS, for the payment of which we bind ourselves, our heirs, executors, administrators, successors and assigns.

THE CONDITION OF THE FOREGOING OBLIGATION IS SUCH, That Whereas, the PRINCIPAL has submitted a bid proposal to the STATE OF ILLINOIS, acting through the Department of Transportation, for the improvement designated by the Transportation Bulletin Item Number and Letting Date indicated above.

NOW, THEREFORE, if the Department shall accept the bid proposal of the PRINCIPAL; and if the PRINCIPAL shall, within the time and as specified in the bidding and contract documents, submit a DBE Utilization Plan that is accepted and approved by the Department; and if, after award by the Department, the PRINCIPAL shall enter into a contract in accordance with the terms of the bidding and contract documents including evidence of the required insurance coverages and providing such bond as specified with good and sufficient surety for the faithful performance of such contract and for the prompt payment of labor and material furnished in the prosecution thereof; or if, in the event of the failure of the PRINCIPAL to make the required DBE submission or to enter into such contract and to give the specified bond, the PRINCIPAL pays to the Department the difference not to exceed the penalty hereof between the amount specified in the bid proposal and such larger amount for which the Department may contract with another party to perform the work covered by said bid proposal, then this obligation shall be null and void, otherwise, it shall remain in full force and effect.

IN THE EVENT the Department determines the PRINCIPAL has failed to comply with any requirement as set forth in the preceding paragraph, then Surety shall pay the penal sum to the Department within fifteen (15) days of written demand therefor. If Surety does not make full payment within such period of time, the Department may bring an action to collect the amount owed. Surety is liable to the Department for all its expenses, including attorney's fees, incurred in any litigation in which it prevails either in whole or in part.

In TESTIMONY WHEREOF, the said PRINCIPAL and the said SURETY have caused this instrument to be signed by their respective officers this day of A.D.,

PRINCIPAL SURETY
(Company Name)
By: (Signature & Title) By: (Signature of Attorney-in-Fact)

Notary Certification for Principal and Surety

STATE OF ILLINOIS,
COUNTY OF

I, a Notary Public in and for said County, do hereby certify that and

(Insert names of individuals signing on behalf of PRINCIPAL & SURETY)

who are each personally known to me to be the same persons whose names are subscribed to the foregoing instrument on behalf of PRINCIPAL and SURETY, appeared before me this day in person and acknowledged respectively, that they signed and delivered said instrument as their free and voluntary act for the uses and purposes therein set forth.

Given under my hand and notarial seal this day of, A.D.

My commission expires Notary Public

In lieu of completing the above section of the Proposal Bid Form, the Principal may file an Electronic Bid Bond. By signing below the Principal is ensuring the identified electronic bid bond has been executed and the Principal and Surety are firmly bound unto the State of Illinois under the conditions of the bid bond as shown above.

Electronic Bid Bond ID# Company/Bidder Name Signature and Title

PROPOSAL ENVELOPE



PROPOSALS

for construction work advertised for bids by the Illinois Department of Transportation

Item No.	Item No.	Item No.

Submitted By:

Name:
Address:
Phone No.

Bidders should use an IDOT proposal envelope or affix this form to the front of a 10" x 13" envelope for the submittal of bids. If proposals are mailed, they should be enclosed in a second or outer envelope addressed to:

Engineer of Design and Environment - Room 326
Illinois Department of Transportation
2300 South Dirksen Parkway
Springfield, Illinois 62764

NOTICE

Individual bids, including Bid Bond and/or supplemental information if required, should be securely stapled.

CONTRACTOR OFFICE COPY OF CONTRACT SPECIFICATIONS

NOTICE

None of the following material needs to be returned with the bid package unless the special provisions require documentation and/or other information to be submitted.

**Contract No. 68694
PEORIA-TAZEWELL Counties
Section D4 ITS SYSTEM 2007
Project ITS-217(101)
Route FAP 317
District 4 Construction Funds**



Illinois Department of Transportation



NOTICE TO BIDDERS

- 1. TIME AND PLACE OF OPENING BIDS.** Sealed proposals for the improvement described herein will be received by the Department of Transportation at the Harry R. Hanley Building, 2300 South Dirksen Parkway, in Springfield, Illinois until 10:00 o'clock a.m., June 15, 2007. All bids will be gathered, sorted, publicly opened and read in the auditorium at the Department of Transportation's Harry R. Hanley Building shortly after the 10:00 a.m. cut off time.
- 2. DESCRIPTION OF WORK.** The proposed improvement is identified and advertised for bids in the Invitation for Bids as:

**Contract No. 68694
PEORIA-TAZEWELL Counties
Section D4 ITS SYSTEM 2007
Project ITS-217(101)
Route FAP 317
District 4 Construction Funds**

This project consists of installing CC TV cameras on existing mast arms at 3 intersections located in Peoria and East Peoria.

- 3. INSTRUCTIONS TO BIDDERS.** (a) This Notice, the invitation for bids, proposal and letter of award shall, together with all other documents in accordance with Article 101.09 of the Standard Specifications for Road and Bridge Construction, become part of the contract. Bidders are cautioned to read and examine carefully all documents, to make all required inspections, and to inquire or seek explanation of the same prior to submission of a bid.

(b) State law, and, if the work is to be paid wholly or in part with Federal-aid funds, Federal law requires the bidder to make various certifications as a part of the proposal and contract. By execution and submission of the proposal, the bidder makes the certification contained therein. A false or fraudulent certification shall, in addition to all other remedies provided by law, be a breach of contract and may result in termination of the contract.
- 4. AWARD CRITERIA AND REJECTION OF BIDS.** This contract will be awarded to the lowest responsive and responsible bidder considering conformity with the terms and conditions established by the Department in the rules, Invitation for Bids and contract documents. The issuance of plans and proposal forms for bidding based upon a prequalification rating shall not be the sole determinant of responsibility. The Department reserves the right to determine responsibility at the time of award, to reject any or all proposals, to readvertise the proposed improvement, and to waive technicalities.

By Order of the
Illinois Department of Transportation

Milton R. Sees, Acting Secretary

BD 351 (Rev. 01/2003)

INDEX
FOR
SUPPLEMENTAL SPECIFICATIONS
AND RECURRING SPECIAL PROVISIONS

Adopted January 1, 2007

This index contains a listing of SUPPLEMENTAL SPECIFICATIONS and frequently used RECURRING SPECIAL PROVISIONS.

SUPPLEMENTAL SPECIFICATIONS

Std. Spec. Sec.

Page No.

No Supplemental Specifications this year.

RECURRING SPECIAL PROVISIONS

The following RECURRING SPECIAL PROVISIONS indicated by an "X" are applicable to this contract and are included by reference:

<u>CHECK SHEET #</u>	<u>PAGE NO.</u>
1 X Additional State Requirements For Federal-Aid Construction Contracts (Eff. 2-1-69) (Rev. 1-1-07).....	1
2 X Subletting of Contracts (Federal-Aid Contracts) (Eff. 1-1-88) (Rev. 5-1-93)	3
3 X EEO (Eff. 7-21-78) (Rev. 11-18-80)	4
4 Specific Equal Employment Opportunity Responsibilities Non Federal-Aid Contracts (Eff. 3-20-69) (Rev. 1-1-94)	14
5 Required Provisions - State Contracts (Eff. 4-1-65) (Rev. 1-1-07)	19
6 Reserved	24
7 National Pollutant Discharge Elimination System Permit (Eff. 7-1-94) (Rev. 1-1-03).....	25
8 Haul Road Stream Crossings, Other Temporary Stream Crossings, and In-Stream Work Pads (Eff. 1-2-92) (Rev. 1-1-98).....	26
9 Construction Layout Stakes Except for Bridges (Eff. 1-1-99) (Rev. 1-1-07).....	27
10 Construction Layout Stakes (Eff. 5-1-93) (Rev. 1-1-07)	30
11 Use of Geotextile Fabric for Railroad Crossing (Eff. 1-1-95) (Rev. 1-1-07).....	33
12 Subsealing of Concrete Pavements (Eff. 11-1-84) (Rev. 1-1-07).....	35
13 Hot-Mix Asphalt Surface Removal (Cold Milling) (Eff. 11-1-87) (Rev. 1-1-07)	39
14 Pavement and Shoulder Resurfacing (Eff. 2-1-00) (Rev. 1-1-07)	41
15 PCC Partial Depth Hot-Mix Asphalt Patching (Eff. 1-1-98) (Rev. 1-1-07)	42
16 Patching with Hot-Mix Asphalt Overlay Removal (Eff. 10-1-95) (Rev. 1-1-07).....	44
17 Polymer Concrete (Eff. 8-1-95) (Rev. 3-1-05)	45
18 PVC Pipeliner (Eff. 4-1-04) (Rev. 1-1-07)	47
19 Pipe Underdrains (Eff. 9-9-87) (Rev. 1-1-07)	48
20 Guardrail and Barrier Wall Delineation (Eff. 12-15-93) (Rev. 1-1-97)	49
21 Bicycle Racks (Eff. 4-1-94) (Rev. 1-1-07)	53
22 Temporary Modular Glare Screen System (Eff. 1-1-00) (Rev. 1-1-07)	55
23 Temporary Portable Bridge Traffic Signals (Eff. 8-1-03) (Rev. 1-1-07)	57
24 Work Zone Public Information Signs (Eff. 9-1-02) (Rev. 1-1-07).....	59
25 Night Time Inspection of Roadway Lighting (Eff. 5-1-96).....	60
26 English Substitution of Metric Bolts (Eff. 7-1-96).....	61
27 English Substitution of Metric Reinforcement Bars (Eff. 4-1-96) (Rev. 1-1-03).....	62
28 Calcium Chloride Accelerator for Portland Cement Concrete (Eff. 1-1-01)	63
29 Quality Control of Concrete Mixtures at the Plant-Single A (Eff. 8-1-00) (Rev. 1-1-04)	64
30 Quality Control of Concrete Mixtures at the Plant-Double A (Eff. 8-1-00) (Rev. 1-1-04)	70
31 Quality Control/Quality Assurance of Concrete Mixtures (Eff. 4-1-92) (Rev. 1-1-07).....	78

TABLE OF CONTENTS

LOCATION OF PROJECT	1
DESCRIPTION OF PROJECT	1
LOCATION OF UNDERGROUND STATE MAINTAINED FACILITIES.....	2
CONTRACT GUARANTEE	2
SYSTEM IMPLEMENTATION, EQUIPMENT INTEGRATION AND SUPPORT	3
SEEDING, MINOR AREAS	3
CONDUIT, PUSHED OR TRENCHED	4
COMPLIANCE WITH LOCAL LAWS, ORDINANCES AND REGULATIONS(CITY OF PEORIA)	4
COMPLIANCE WITH LOCAL LAWS, ORDINANCES AND REGULATIONS (CITY OF EAST PEORIA) ...	4
HANDHOLE, SPECIAL	5
CCTV LOCAL CONTROL PANEL	5
FIBER OPTIC CABLE, SINGLE MODE	6
FIBER OPTIC FUSION SPLICE	11
CLOSED-CIRCUIT TELEVISION DOME CAMERA	14
POLE MOUNTED EQUIPMENT CABINET TYPE C	20
20 AMP, 1 POLE CIRCUIT BREAKER	22
CONTROLLER CABINET, TYPE IV, SPECIAL	23
CAMERA POLE, 45'	23
FIBER OPTIC LINK (CLOSED CIRCUIT TELEVISION) – SINGLE MODE FIBER	23
FIBER OPTIC LINK (CLOSED CIRCUIT TELEVISION) MULTI-MODE	26
PEORIA PUBLIC WORKS DRIES LANE NODE	27
EAST PEORIA PUBLIC SAFETY BUILDING NODE	31
ILLINOIS DEPARTMENT OF TRANSPORTATION COMMUNICATIONS NODE	34
FIBER OPTIC CONNECTOR, ST, FUSION SPLICED	38
TRENCH AND BACKFILL FOR ELECTRICAL WORK, SPECIAL	39
POLE MOUNTED EQUIPMENT CABINET TYPE C, INSTALL ONLY.....	40
GROUNDING OF ITS STRUCTURES	41
TRAFFIC CONTROL PLAN	42
ERRATA FOR THE 2007 STANDARD SPECIFICATIONS (BDE).....	42
PAYMENTS TO SUBCONTRACTORS (BDE)	44
REFLECTIVE SHEETING ON CHANNELIZING DEVICES (BDE)	45
REINFORCEMENT BARS (BDE)	46
SUBCONTRACTOR MOBILIZATION PAYMENTS (BDE)	47
WORKING DAYS (BDE)	48
FIBER OPTIC CABLE IN CONDUIT 62.5/125 MM12F SM12F.....	48

STATE OF ILLINOIS

SPECIAL PROVISIONS

The following Special Provisions supplement the "Standard Specifications for Road and Bridge Construction," adopted January 1, 2007, the latest edition of the "Manual on Uniform Traffic Control Devices for Streets and Highways," and the "Manual of Test Procedures for Materials" in effect on the date of invitation for bids, and the Supplemental Specifications and Recurring Special Provisions indicated on the Check Sheet included herein which apply to and govern the construction of FAP Route 317 (US 24/US 150), Project ITS-0217 (101), Section D4 ITS System 2007 in Peoria and Tazewell Counties and in case of conflict with any part or parts of said Specifications, the said Special Provisions shall take precedence and shall govern.

LOCATION OF PROJECT

This project improvement is located in Peoria and Tazewell Counties in Illinois. The improvement in Peoria County is located along US Route 150 (War Memorial Drive) from Illinois Route 29 (Adams Street) to Illinois Route 6, at the City of Peoria's Public Works Department, which is located at 3505 North Dries Lane in Peoria and the IDOT ITS Equipment Room, which is located at the District Four headquarters at 401 Main Street in Peoria. The improvement in Tazewell County is located along Illinois Route 116 (Main Street) in East Peoria from US Route 24 to Washington Street and at the East Peoria Public Safety Building, which is located at 201 West Washington Street in East Peoria.

DESCRIPTION OF PROJECT

This project consists of installing CCTV cameras with PTZ control on existing steel combination mast arm assemblies at three intersections along US Route 150 (War Memorial Drive) at Allen Road, Illinois Route 40 (Knoxville Avenue) and Prospect Avenue in the City of Peoria and at the intersection of Illinois Route 116 (Main Street) at Blackjack Boulevard in the City of East Peoria; installing a CCTV camera on a proposed steel camera pole near the intersection of US Route 150 (War Memorial Drive) and Illinois Route 6 in the City of Peoria; installing CCTV cameras on existing steel camera poles near the intersection of Illinois Route 116 (Main Street) and US Route 24 in the City of East Peoria and US Route 150 (War Memorial Drive) and Illinois Route 29 (Adams Street) in the City of Peoria; installing fiber optic video transmission systems, and video encoders and decoders; installing ITS equipment at the Peoria Public Works Department, East Peoria Safety Building, and IDOT ITS Equipment Room; terminating, fusion splicing, and testing of existing and proposed fiber optic cables, and all other collateral work required to complete the improvement.

LOCATION OF UNDERGROUND STATE MAINTAINED FACILITIES

The Contractor shall be responsible for locating existing IDOT electrical facilities prior to performing any work at his/her own expense if required. The Contractor shall also be liable for any damage to IDOT facilities resulting from inaccurate locating.

The Contractor may obtain, on request, plans for the existing electrical facilities from the Department.

The Contractor shall also be responsible for locating and providing protection for IDOT facilities during all phases of construction. If at any time, the facilities are damaged, the Contractor shall immediately notify the Department and make all necessary arrangements for repair to the satisfaction of the Engineer. This work shall be included in the contract bid price.

CONTRACT GUARANTEE

The Contractor shall provide a written guarantee for all electrical equipment, apparatus, materials, and workmanship provided under the contract for a period of six months after the date of final acceptance according to Article 801.13.

All instruction sheets and other documentation required to be furnished by the manufacturer for materials and supplies and for operations shall be delivered to the Engineer prior to the acceptance of the project, with the following warranties and guarantees:

1. The manufacturer's standard written warranty for each piece of electrical equipment or apparatus furnished under the contract.
2. The Contractor's written guarantee that, for a period of six months after the date of final inspection of the project, all necessary repairs to or replacement of said warranted equipment, or apparatus shall be made by the Contractor at no cost to the Department.
3. The Contractor's written guarantee for satisfactory operation of all electrical systems furnished and constructed under the contract for a period of six months after final inspection of the project.

The Contractor shall furnish a warranty certificate for each component that includes the equipment description and details, serial numbers, effective dates, and the details of the warranty regarding materials and labor. The warranty period shall begin on the date of installation and the warranty certificate shall reflect this date.

The Contractor will not be responsible for existing components that are not provided under this contract.

SYSTEM IMPLEMENTATION, EQUIPMENT INTEGRATION AND SUPPORT

Description. The Contractor shall ensure that all components meet the minimum specifications, are compatible with one another, and are integrated to enable the system to perform all functions to the satisfaction of the Engineer.

All furnished components shall be subject to a 90 day burn-in period. The system along with all of its components shall be fully and functionally operational before any acceptance testing will be initiated. The Contractor shall notify the Department a minimum of three days in advance to schedule the acceptance testing. During the acceptance tests, the Contractor shall demonstrate the system to the Engineer to show that it meets all of the required design and installation parameters. After, the system has been accepted by the Engineer, the system shall begin a ninety-day "burn-in" period immediately after the successful completion of the acceptance test. During the "burn-in" period, all components shall perform continuously, without any interruption of operation, for a period of ninety days. In the event that there are operational problems during the burn-in period, the burn-in period shall reset back to day one.

After the successful completion of the burn-in period, the system will have completed final acceptance.

This work will not be paid for separately, but shall be included in the contract bid price.

SEEDING, MINOR AREAS

Effective July 1, 1990

Revised January 1, 2007

Seeding, fertilizing, and mulching shall be done in accordance with Article 250 of the Standard Specifications except for the following revisions:

All areas disturbed by the work performed shall be seeded, fertilized, and mulched in accordance with Article 251.03(a). The materials may be purchased locally and placed as directed by the engineer.

The estimated area is approximately 0.01 acre. The seed mixture shall be applied at 100 pounds/acre (110 kg/ha). The mixture shall be one that contains a high percentage of Kentucky Blue Grass. All seeds shall meet the purity and noxious weed requirements of Article 1081.04 of the Standard Specifications, and be approved by the engineer.

The fertilizer nutrients shall be applied at a rate of 270 lbs. (300 kg) of actual nutrients per acre (hectare). The fertilizer furnished shall be ready mixed material having a ratio of (1-1-1).

The contractor shall provide the engineer with the test results from the seed container and the chemical analysis of the fertilizer nutrients.

The seed, fertilizer, and mulch will not be measured for payment but will be considered included in the cost of TRENCH AND BACKFILL FOR ELECTRICAL WORK; TRENCH AND BACKFILL FOR ELECTRICAL WORK, SPECIAL; CONCRETE HAND, SPECIAL; CONCRETE FOUNDATION, TYPE D, and CONCRETE FOUNDATION, TYPE E 36 INCH DIAMETER.

CONDUIT, PUSHED OR TRENCHED

This work shall consist of furnishing and installing conduit under an existing roadway, driveway, or sidewalk, or trenched into the ground. The Contractor may substitute coilable polyethylene conduit of equal size.

The Contractor may elect to push a conduit that is shown to be trenched on the plans. This work will be measured for payment and paid for as CONDUIT IN TRENCH of the type and size specified and TRENCH AND BACKFILL FOR ELECTRICAL WORK.

Basis of Payment. This work will be paid for at the contract unit price per foot for CONDUIT of the size and type specified, which price shall be payment in full for furnishing and installing the conduit and fittings complete.

COMPLIANCE WITH LOCAL LAWS, ORDINANCES AND REGULATIONS(CITY OF PEORIA)

This project is located within the City of Peoria. The Contractor is advised to coordinate with the City of Peoria to determine the requirements for the construction of parking lots, placement of trailers, material storage, staging areas, work areas outside the right-of-way.

The Contractor may contact the City of Peoria Planning and Growth Management Department, which is located in Room 402 of the Twin Towers Mall at (309) 494-8600, to discuss proposed improvements located outside the right-of-way. The City of Peoria holds One Stop meetings on Mondays at 1:30 p.m. in City Hall Room 400 or 404 where Contractors can present their proposed improvements which are located outside the right-of-way to the appropriate departments. Contractors should contact the Planning and Growth Department to be placed on the One Stop meeting agenda.

The storage or staging of any materials or equipment on the public right of way outside of the state right-of-way must be coordinated with the City of Peoria. The Contractor shall contact the Engineering Department at (309) 494-8826 or (309) 494-8833 prior to the start of any work involving staging/storage of equipment and/or materials in these areas.

COMPLIANCE WITH LOCAL LAWS, ORDINANCES AND REGULATIONS (CITY OF EAST PEORIA)

This project is located within the City of East Peoria. The Contractor is advised to coordinate with the City of East Peoria to determine the requirements for the placement of trailers, material storage, staging areas, work areas outside the right-of-way.

The Contractor may contact the City of East Peoria Public Works Department, which is located at 2232 East Washington Street, East Peoria, Illinois, to discuss the use of the areas located outside the right-of-way.

The storage or staging of any materials or equipment on the public right of way outside of the project access control limits must be coordinated with the City of East Peoria. The Contractor shall contact Mr. Rick Jeremiah, Director of Public Works at (309) 698-4716, prior to the start of any work involving staging/storage of equipment and/or materials in these areas.

HANDHOLE, SPECIAL

This work shall consist of furnishing the materials and constructing a handhole in accordance with the applicable Articles of Section 814 and 1088 of the Standard Specifications with the following modifications:

The handhole shall be constructed over the intersection of the two existing conduits (IL 116 and US 24) as shown on the plan sheets. The Contractor shall remove the existing conduits from inside the proposed handhole without damaging the cables inside. The Contractor shall be responsible for locating the existing conduits. The handhole shall be constructed deep enough to allow for a six inch clearance from the bottom of the deepest conduit.

The lift ring for the cover shall consist of a solid closed ring of stainless steel at least 3/8 inch in diameter. The lift ring shall be attached to the cover by a loop of stainless steel at least 3/8 inch in diameter. The lift ring and loop shall be recessed in the cover.

The lid shall be marked with the legend "TRAFFIC SIGNALS".

Pre-cast handholes are not allowed.

All surplus materials shall be disposed of by the Contractor outside the job limits.

Basis of Payment: This work will be paid for at the contract unit price each for HANDHOLE, (SPECIAL), which price shall be payment in full for all labor, materials, and equipment required to provide the handhole described above as well as any necessary excavating, backfilling, disposal of unsuitable materials, and furnishing all materials within the limits of the handhole.

CCTV LOCAL CONTROL PANEL

The Contractor shall furnish and install a CCTV local control panel at the locations shown on the plan sheets.

The CCTV local control panel will enable the CCTV camera to be tested at the cabinet. The local control panel shall include user-selectable RS-422 and RS-232 camera control and a video output. The local control panel shall be configured to operate with the CCTV cameras.

The following models are approved for use: Treehaven Technologies (Models RVSFB120R, RVSFB120), Specialty Electronics Systems (Model 200 P/N 10016)

The CCTV Local Control Panel shall meet or exceed the following specifications:

Electrical: AC Input Voltage: 120VAC 50/60 Hz, 1.8A
Dome Power Output: 24V, 50/60 Hz, 1.25 A

Heater Power Output: 24V, 24V, 50/60 Hz, 5A

Environmental: Operating Temperature: : -10°F (-23°C) to 140°F (60°C)
Humidity: 5% to 95%, non-condensing

Data: Joystick: RS-422, Rx+, Rx-, Tx+, Tx-
Laptop: RS-232, Tx, Rx, Gnd
Remote Control: RS-422, Rx+, Rx-, Tx+, Tx-

Video: Camera Input: BNC, 75 Ohms
Monitor Output: BNC, 75 Ohms

Mechanical: Dimensions: 19" W x 3.5" H x 12" D

Features:

- Surge suppression on data, video and power lines.
- Video output for test monitor connection.
- Plug-in connection for joystick controllers.
- Plug-in serial connection for a laptop computer providing PTZ control and camera test and configuration. Includes laptop camera control software.
- Manual switch to select either joystick, laptop or remote PTZ control.

Basis of Payment: This work will be paid for at the contract unit price each for CCTV LOCAL CONTROL PANEL which will be payment in full for all labor, equipment, and materials required to provide, install, and test the equipment, and as described above.

FIBER OPTIC CABLE, SINGLE MODE

Description. Under these items, the Contractor shall furnish and install loose-tube, single-mode, fiber optic cable of the number of fibers specified as shown in the plans and as directed by the Engineer.

Other ancillary components, required to complete the fiber optic cable plant, including but not limited to, moisture and water sealants, cable caps, fan-out kits, etc., shall be supplied under these items for fiber optic cable and will not be paid for separately.

Materials. The single-mode, fiber optic cable shall incorporate a loose, buffer-tube design. The cable shall conform to the requirements of RUS 7 CFR1755.900 (PE-90) for a single sheathed, non-armored cable, and shall be new, unused and of current design and manufacture. The number of fibers in each cable shall be as specified on the plans.

Minimum Bending Radius.

The cable shall be capable of withstanding a minimum-bending radius of 20 times its outer diameter during installation and 10 times its outer diameter during operation without changing the characteristics of the optical fibers.

Environmental Requirements:

The cable shall meet all of specified requirements under the following conditions:

Shipping/storage temperature: -58°F to +158°F (-50°C to +70°C)

Installation temperature: -22°F to +158°F (-30°C to +70°C)

Operating temperature: -40°F to +158°F (-40°C to +70°C)

Relative humidity from 0% to 95%, non-condensing

Construction Requirements:

Experience Requirements.

Personnel involved in the installation, splicing and testing of the fiber optic cables shall meet the following requirements:

A minimum of three (3) years experience in the installation of fiber optic cables, including fusion splicing, terminating and testing single mode fibers.

Install two systems where fiber optic cables are outdoors in conduit and where the systems have been in continuous satisfactory operation for at least two years. The Contractor shall submit as proof, photographs or other supporting documents, and the names, addresses and telephone numbers of the operating personnel who can be contacted regarding the installed fiber optic systems.

One fiber optic cable system (which may be one of the two in the preceding paragraph), which the Contractor can arrange for demonstration to the Department representatives and the Engineer.

Installers shall be familiar with the cable manufacturer's recommended procedures for installing the cable. This shall include knowledge of splicing procedures for the fusion splicer being used on this project and knowledge of all hardware such as breakout (furcation) kits and splice closures. The Contractor shall submit documented procedures to the Engineer for approval and to be used by Construction inspectors.

Personnel involved in testing shall have been trained by the manufacturer of the fiber optic cable test equipment to be used, in fiber optic cable testing procedures. Proof of this training shall be submitted to the Engineer for approval. In addition, the Contractor shall submit documentation of the testing procedures for approval by the Engineer.

Installation in Conduit.

During cable pulling operations, the Contractor shall ensure that the minimum bending of the cable is maintained during the unreeling and pulling operations. Entry guide chutes shall be used to guide the cable into the handhole conduit ports. Lubricating compound shall be used to minimize friction. Corner rollers (wheels), if used, shall not have radii less than the minimum installation-bending radius of the cable. A series array of smaller wheels can be used for accomplishing the bend if the cable manufacturers specifically approve the array.

The pulling tension shall be continuously measured and shall not be allowed to exceed the maximum tension specified by the manufacturer of the cable. Fuse links and breaks can be used to ensure that the cable tensile strength is not exceeded. The pulling system shall have an audible alarm that sounds whenever a pre-selected tension level is reached. Tension levels shall be recorded continuously and shall be given to the Engineer upon request.

The cable shall be pulled into the conduit as a single component, absorbing the pulling force in all tension elements. The central strength member and Aramid yarn shall be attached directly to the pulling eye during cable pulling. "Basket grip" or "Chinese-finger type" attachments, which only attach to the cable's outer jacket, shall not be permitted. A breakaway swivel, rated at 95% of the cable manufacturer's approved maximum tensile loading, shall be used on all pulls. When simultaneously pulling fiber optic cable with other cables, separate grooved rollers shall be used for each cable.

Construction Documentation Requirements:

Installation Practices for Outdoor Fiber Optic Cable Systems

The Contractor shall examine the proposed cable plant design. At least one month prior to starting installation of the fiber optic cable plant, the Contractor shall prepare and submit to the Engineer, upon his request, for review and approval, one (1) copy of the Contractor's "Installation Practices for Outdoor Fiber Optic Cable Systems" manual. This manual shall address the Contractor's proposed practices covering all aspects of the fiber optic cable plant. This submittal shall include all proposed procedures, list of installation equipment, and splicing and test equipment. Test and quality control procedures shall be detailed as well as procedures for corrective action.

Operation and Maintenance Documentation:

After the fiber optic cable plant has been installed, two (2) complete sets of Operation and Maintenance Documentation shall be provided. The documentation shall, as a minimum, include the following:

- Complete and accurate as-built diagrams showing the entire fiber optic cable plant including locations of all splices.
- Final copies of all approved test procedures.
- Complete performance data of the cable plant showing the losses at each splice location and each terminal connector.
- Complete parts list including names of vendors.

Testing Requirements:

The Contractor shall submit detailed test procedures for approval by the Engineer. All continuous CCTV fiber runs, including both proposed and existing fiber, (from the fiber optic video transmitter to the fiber optic video receiver) shall be tested bi-directionally at both 1310 nm and 1550 nm with both an Optical Time Domain Reflectometer (OTDR) and a power meter and optical source. For testing, intermediate breakout fibers may be concatenated and tested end-to-end. Any discrepancies between the measured results and these specifications will be resolved to the satisfaction of the Engineer.

The Contractor shall provide the date, time and location of any tests required by this specification to the Engineer at least 5 days before performing the test. Upon completion of the cable installation, splicing, and termination, the Contractor shall test all fibers for continuity, events above 0.1 dB, and total attenuation of the cable. The test procedure shall be as follows:

A Certified Technician utilizing an Optical Time Domain Reflectometer (OTDR) and Optical Source/Power Meter shall conduct the installation test. The Technician is directed to conduct the test using the standard operating procedures defined by the manufacturer of the test equipment. All fibers installed shall be tested in both directions.

The method of connectivity between the OTDR and the cable shall be a factory patch cord of a length equal to the "dead zone" of the OTDR. Optionally, the Technician can use a factory "fiber box" of 328 ft (100 m) minimum with no splices within the box. The tests shall be conducted at 1310 and 1550 nm for all fibers.

At the completion of the test, the Contractor shall provide two copies of documentation of the test results to the Project Engineer. The test documentation shall be bound and shall include the following:

Cable & Fiber Identification:

Cable ID
Cable Location - beginning and end point
Fiber ID, including tube and fiber color
Operator Name
Date & Time
Setup Parameters
Wavelength

Pulse width (OTDR)
Refractory index (OTDR)
Range (OTDR)
Scale (OTDR)
Setup Option chosen to pass OTDR "dead zone"

Test Results:

A. OTDR Test

Total Fiber Trace
Splice Loss/Gain
Events > 0.10 dB
Measured Length (Cable Marking)
Total Length (OTDR)

Test results and traces shall also be provided on a diskette.

B. Optical Source/Power Meter

Total Attenuation
Attenuation (dB/km)

These results shall be provided in tabular form. The following shall be the criteria for the acceptance of the cable:

The test results shall show that the dB/km loss does not exceed +3% of the factory test or 1% of the cable's published production loss. However, no event shall exceed 0.10 dB. If any event is detected above 0.10 dB, the Contractor shall replace or repair the proposed fiber and/or fusion splice and connector including that event point.

The total dB loss of the cable, less events, shall not exceed the manufacturer's production specifications as follows: 0.5 dB/km at both 1310 and 1550 nm.

If the total loss exceeds these specifications, the Contractor shall replace or repair that cable run at the Contractor's expense, both labor and materials. Elevated attenuation due to exceeding the pulling tension during installation shall require the replacement of the cable run at the Contractor's expense, including labor and materials.

Label the destination of each trunk cable onto the cable in each handhole, vault or cable termination panel.

Splicing Requirements:

Splices shall be made at locations shown on the Plans. Any other splices shall be permitted only with the approval of the Engineer.

All optical fibers shall be spliced as indicated on the Plans. If no information is provided, mainline splices will concatenate the fibers from the two cable segments, that is, the colors of the buffer tubes and fibers shall be the same across the splice. For splices that breakout the individual fibers, the fibers shall be spliced in accordance with the Plans.

Slack Storage of Fiber Optic Cables.

A part of these items, slack fiber shall be supplied as necessary to allow splicing the fiber optic cables in a controlled environment, such as a splicing van or tent. After splicing has been completed, the slack fiber shall be stored underground in handholes or in the raised base adapters of ground mounted traffic controller cabinets.

The following amounts of slack cable shall be provided:

<u>Location</u>	<u>Length of Slack Cable (Ft.)</u>
Gulfbox	3.0
Junction Box	3.0
Handhole	10.0
Double Handhole	20.0
Controller Cabinet	5.0

Fiber optic cable shall be tagged inside handholes with yellow tape containing the text: "CAUTION - FIBER OPTIC CABLE."

Method of Measurement. The fiber optic cable of the number of fibers specified will be measured for payment as the number of linear feet of cable, including lengths stored as splicing slack, actually furnished installed and tested.

Basis of Payment. FIBER OPTIC CABLE of the number of fibers specified shall be paid for at the contract unit price per foot , which cost shall include the cost of furnishing all labor, material, documentation, tools and equipment to install and test the fiber optic cable.

Fiber optic patch panels, splice closures, connectors, splice vaults and handholes will be supplied and paid for under other contract items.

FIBER OPTIC FUSION SPLICE

Description. The Contractor will splice optical fibers from different cable sheaths and protect them with a splice closure at the locations shown on the Plans. Fiber splicing consists of in-line fusion splices for all fibers described in the cable plan at the particular location.

Two splices are identified. A mainline splice includes selected fibers from each cable run as shown in the plan sheets. In a lateral splice (IL 116 & US 24 CCTV camera splice in proposed handhole), the buffer tubes in the mainline cable are dressed out and those fibers identified on the plans are accessed in and spliced to lateral cables.

Materials.

Splice Closures

Splice closures shall be designed for use under the most severe conditions such as moisture, vibration, impact, cable stress and flex temperature extremes as demonstrated by successfully passing the factory test procedures and minimum specifications listed below:

Physical Requirements:

The closures shall provide ingress for up to four cables in a butt configuration.

The closure shall prevent the intrusion of water without the use of encapsulates.

The closure shall be capable of accommodating splice organizer trays that accept mechanical, or fusion splices. The splice closure shall have provisions for storing fiber splices in an orderly manner, mountings for splice organizer assemblies, and space for excess or un-spliced fiber. Splice organizers shall be re-enterable. The splice case shall be UL rated.

Closure re-entry and subsequent reassembly shall not require specialized tools or equipment. Further, these operations shall not require the use of additional parts.

The splice closure shall have provisions for controlling the bend radius of individual fibers to a minimum of 1.5 in (38 mm).

Factory Testing of Splice Closures:

Compression Test: The closure shall not deform more than 10% in its largest cross-sectional dimension when subjected to a uniformly distributed load of 1335 N at a temperature of 0°F and 100°F (-18°C and 38°C). The test shall be performed after stabilizing at the required temperature for a minimum of two hours. It shall consist of placing an assembled closure between two flat parallel surfaces, with the longest closure dimension parallel to the surfaces. The weight shall be placed on the upper surface for a minimum of 15 minutes. The measurement shall then be taken with weight in place.

Impact Test: The assembled closure shall be capable of withstanding an impact of 28 N-M at temperatures of 0°F and 100°F (-18°C and 38°C). The test shall be performed after stabilizing the closure at the required temperature for a minimum of 2 hours. The test fixture shall consist of 20 lb (9 kg) cylindrical steel impacting head with a 2 in (5 cm) spherical radius at the point where it contacts the closure. It shall be dropped from a height of 12 in (30 cm). The closure shall not exhibit any cracks or fractures to the housing that would preclude it from passing the water immersion test. There shall be no permanent deformation to the original diameter or characteristic vertical dimension by more than 5%.

Cable Gripping and Sealing Testing: The cable gripping and sealing hardware shall not cause an increase in fiber attenuation in excess of 0.05 dB/fiber @ 1550 nm when attached to the cables and the closure assembly. The test shall consist of measurements from six fibers, one from each buffer tube or channel, or randomly selected in the case of a single fiber bundle. The measurements shall be taken from the test fibers before and after assembly to determine the effects of the cable gripping and sealing hardware on the optical transmission of the fibers.

Vibration Test: The splice organizers shall securely hold the fiber splices and store the excess fiber. The fiber splice organizers and splice retaining hardware shall be tested per EIA Standard FOTP-II, Test Condition I. The individual fibers shall not show an increase in attenuation in excess of 0.1 dB/fiber.

Water Immersion Test: The closure shall be capable of preventing a 10 ft (3 m) water head from intruding into the splice compartment for a period of 7 days. Testing of the splice closure is to be accomplished by the placing of the closure into a pressure vessel and filling the vessel with tap water to cover the closure. Apply continuous pressure to the vessel to maintain a hydrostatic head equivalent to 10 ft (3 m) on the closure and cable. This process shall be continued for 30 days. Remove the closure and open to check for the presence of water. Any intrusion of water in the compartment containing the splices constitutes a failure.

Certification: It is the responsibility of the Contractor to insure that either the manufacturer, or an independent testing laboratory has performed all of the above tests, and the appropriate documentation has been submitted to the Department. Manufacturer certification is required for the model(s) of closure supplied. It is not necessary to subject each supplied closure to the actual tests described herein.

Construction Requirements.

The closure shall be installed according to the manufacturer's recommended guidelines. For all splices, the cables shall be fusion spliced.

The Contractor shall prepare the cables and fibers in accordance with the closure and cable manufacturers' installation practices. A copy of these practices shall be provided to the Engineer 21 days prior to splicing operations.

Using a fusion splicer, the Contractor shall optimize the alignment of the fibers and fuse them together. The Contractor shall recoat the fused fibers and install mechanical protection over them.

Upon completing all splicing operations for a cable span, the Contractor shall measure the mean bi-directional loss at each splice using an Optical Time Domain Reflectometer. This loss shall not exceed 0.1 dB.

The Contractor shall measure the end-to-end attenuation of each CCTV fiber optic link, from connector to connector, using an optical power meter and source. This loss shall be measured from both directions and shall not exceed 0.5 dB per installed kilometer of single mode cable.

Measurements shall be made at both 1300 and 1550 nm for single mode cable. For multimode cable, power meter measurements shall be made at 850 and 1300 nm. The end-to-end attenuation shall not exceed 3.8 dB/installed kilometers at 850nm or 1.8 dB per installed kilometer at 1300nm for multimode fibers.

As directed by the Engineer, the Contractor at no additional cost to the Department shall replace any cable splice not satisfying the required objectives.

The Contractor shall secure the Splice Closure to the side of the splice facility using cable support brackets. All cables shall be properly dressed and secured to rails or racks within the handhole or traffic signal cabinet. No cables or enclosures will be permitted to lie on the floor of the splice facility. Cables that are spliced inside a building will be secured to the equipment racks or walls as appropriate and indicated on the Plans.

Method of Measurement. Fiber optic splice of the type specified will be measured as a unit, completely installed and tested with all necessary splices completed within the closure, and the closure secured to the wall of the splice facility.

Basis of Payment. FIBER OPTIC FUSION SPLICE of the type specified, measured as provided above, will be paid for at the contract unit price each, which price shall be payment in full for furnishing and installing the splices and enclosures, performing all required testing, including all labor, tools, equipment, and incidentals necessary to complete the work.

CLOSED-CIRCUIT TELEVISION DOME CAMERA

Description. This work shall consist of furnishing and installing an integrated Closed-Circuit Television (CCTV) Dome Camera Assembly, camera brackets, and all other items required for operation. This assembly shall contain all components identified in the Materials Section and shall be configured as indicated on the plan sheets.

Materials.

The CCTV camera shall be a Vicon Model S2000-RW23-PR Dome Camera Assembly (or approved equal) for integration into the existing ITS system components.

General

The camera assembly shall be of the dome type and shall consist of the camera, lens, and pan/tilt motor, internal to the dome, along with the camera controller with a maximum weight of 15 lbs. External interfaces to the dome shall include a standard NTSC video BNC connector, RS-232 data connector for control, and 24 VAC power if required by the CCTV Dome Camera.

The camera assembly shall have a variable-speed manual pan and tilt, and shall include a "pre-set" timed rotation capability to allow the camera to be automatically oriented to predefined positions via the central software.

The Contractor shall provide a totally operational assembly with all cabling and terminations matched to support the selected components.

CCTV Camera and Lens

The CCTV camera and lens shall comply with the following specifications:

Image Sensor:	¼ inch (6.35 mm) Color Interline Transfer CCD
Signal format:	Compatible with all applicable National Television Standards Committee (NTSC) specifications, have 470 horizontal lines and 350 vertical lines at 60 Hz and 30 full frames per second.
Color balance:	Through-the-lens type, with less than 10 IRE units unbalance from 285° to 580° K.
Video Signal:	NTSC and PAL Standard
Iris:	Automatic with Manual Override
Focus:	Remotely Controlled and Automatic or Manual
Pixels:	768(H) X 494(V)
Day/Night Switchover	Day (color) / Night (mono) automatic with manual override
Sensitivity:	
Color:	
Full Video:	6.5 Lux at F1.4 (AGC OFF) for 1.0 volt peak-to-peak ±3.0 dB (75-ohm, unbalanced)
80% Video:	Maximum of 0.55 Lux for 80 percent video measured at the faceplate. (AGC ON)
B & W:	0.015 Lux at F1.4 (AGC OFF) for 1.0 volt peak-to-peak ±6.0 dB (75-ohm, unbalanced)
Signal/noise Ratio:	Greater than 45 dB with AGC off, CCIR weighting
Zoom Range:	1 to 10X analog (Minimum)
Software Zoom:	1 to 8X digital (Minimum)
Temperature:	-22°F to 158°F (-30°C to 70°C)
Relative Humidity	0 to 90 %
Drive Mechanism	Direct Gearing (No Drive Belts)
Pan (Horizontal)	360 Degrees Continuous Manual: Variable speed, < 1 degree/sec to >50 Degrees/sec (minimum for large movements)
Preset Operation:	120 Degrees/sec (minimum) at 0.5 degree accuracy or 220 degrees/sec (minimum) at 0.1 degree accuracy
Tilt (Vertical)	0-180 Degrees Manual: Variable speed, < 1 degree/sec to > 40 Degrees/sec Preset: 120 Degrees/sec (minimum)
Pre-Sets:	60 minimum with automatic rotation of preselected presets
Privacy Zones	5 (minimum) programmable zones that can be set for video blanking
Sector Identification	15 (minimum) independent sectors in the horizontal plane
Alarm Processing	2 (minimum) on-board alarm inputs

External synchronization: Color lock and burst phase adjustment shall be available along with horizontal phase adjustment.

The camera shall have a built-in programmable character generator capable of superimposing camera identification on the video display. The identification shall be programmable for up to two lines of 24 characters per line. Text characters shall be white with a black border 28 horizontal TV lines in height. The camera identification shall be programmable from a laptop computer, using the RS-232 connector in the control cabinet.

The control/receiver driver shall accept control commands through a standard RS-232 interface. This port shall operate at user adjustable speeds between 2400 and 9600 bps. The receiver/driver shall be assigned a user selectable address and be capable of responding to a minimum of 64 unique addresses via software or dip switch.

Each unit shall only respond to commands directed to its unique address. The receiver/driver shall provide confirmation via the full duplex RS-232 communications port in response to all commands. In addition, the unit shall have at least two dry-contact alarm inputs and two auxiliary dry-contact outputs.

The Contractor shall fully document and provide to the Department the communication protocol implemented on the receiver/driver. This protocol shall be open and allow third-party development of control software.

The video shall be synchronized to the 60 Hz power source. A phase adjustment shall be provided for roll-free vertical interval switching at the video switch. In addition, a video isolation amplifier shall be provided to address potential interference.

A variable speed electronic shutter shall be provided which shall be adjustable from 1/100 to 1/10,000 of a second, in a minimum of seven steps. An Automatic White Balance Control shall be provided to adjust the white balance dynamically in response to the varying light conditions encountered in outside environments.

Environmental Enclosure/Housing

The environmental enclosure shall be designed to physically protect the integrated camera from the outdoor environment and moisture via a sealed and pressurized enclosure. If the option exists in the standard product line of the manufacturer, the assembly shall be supplied with an integral sun shield. The enclosure shall be fully water and weather resistant with a NEMA 4 rating or better.

The camera dome shall be constructed of distortion free acrylic or equivalent material that must not degrade from environmental conditions. The environmental housing shall include a camera-mounting bracket. In addition, the environmental housing shall include a heater, blower, and power surge protector. An integral fitting compatible with a standard 1-1/2 in (38.1 mm) NPT pipe, suitable for outdoor pendant mounting shall also be provided.

The enclosure shall be equipped with a heater controlled by a thermostat. The heater shall turn on when the temperature within the enclosure falls below 40° F (4.4°C). The heater shall turn off when the temperature exceeds 60°F (15.6°C). The heater will minimize internal fogging of the dome faceplate when the assembly is operated in cold weather.

In addition, a fan shall be provided as part of the enclosure. The fan will provide airflow to ensure effective heating and to minimize condensation.

The enclosure shall be equipped with a hermetically sealed, weatherproof connector, located near the top for external interface with power, video, and control feeds.

The complete camera assembly shall meet or exceed the following environmental specifications:

- a) Temperature: -40°F to +122°F (-40°C to +50°C)
- b) Humidity: 100% MIL-E-5400T, para 3.2.24.4
- c) Altitude: 0 to 1.9 mile (0 to 3.05 km), MIL-E-5400T, para 3.2.24.2
- d) Vibration: Swept 5-60 Hz, 2.1 mm amplitude: (15 Gs at 60 Hz),
Random 60-1000 Hz .5 Gs RMS
- e) Shock: 15 Gs, 3 axis. MIL-E-5400T, para 3.2.24.6
- f) Sand & Dust: MIL-E-5400T, para 3.2.24.7
- g) Fungus and Salt: MIL-E-5400T, para 3.2.24.8
- h) Atmosphere: MIL-E-5400T, para 3.2.24.9
- i) Explosion: MIL-E-5400T, para 3.2.24.10
- j) EMI: FCC Rules, part 15, subpart J, for Class A devices
- k) Acoustic Noise: +150 dB

CCTV Dome Camera Mounting Supports

Mounting supports shall be configured as shown on the camera support detail plans and as approved by the Engineer. Mount shall be of aluminum construction with enamel or polyester powder coat finish. Braces, supports, and hardware shall be stainless steel. Wind load rating shall be designed for sustained gusts up to 90 mph (145 km/hr), with a 30% gust factor. Load rating shall be designed to support up to 75 lb (334 N). For roof or structural post/light pole mounting, mount shall have the ability to swivel inward for servicing. The mounting flange shall use standard 1-1/2 inch (38.1 mm) NPT pipe thread.

120 VAC and 24 VAC Power Supply

If required by the CCTV Dome Camera, a 24 VAC output/120 VAC input NEMA rated power supply shall be provided in the equipment cabinet. Transformer rating shall not be less than 100 VA. The 24 VAC output is to be fused and is to be capable of handling up to 4 amps of total load. Input connectors shall be of the compression type and be designed to terminate #12-16 AWG conductors. Output connectors shall be screw-type barrier strips and be designed to terminate #16-20 AWG conductors. The power supply shall be mounted and wired into the equipment cabinet as described in these Special Provisions and as shown on the Plans.

Connecting Cables

The Contractor shall provide composite cabling that includes power conductors, coaxial video feed, and RS-232 control wires to connect the integrated CCTV dome camera assembly to the equipment cabinet designated on the Plans from which the camera shall be powered. Compatible connectors shall be supplied to mate with the integrated CCTV dome camera assembly. In addition, the other end of the cable, to be terminated in the equipment cabinet, shall be terminated with an RS-232 connector compatible with the communications equipment supplied under other bid items, a BNC connector to terminate the NTSC video feed, and lugs to terminate the AC power feed.

All conductors connecting the CCTV Dome Camera to the pole mounted or ground mounted cabinets shall be provided with solid-state surge protection where they enter the equipment cabinet. Cabling and surge protection shall be included with the CCTV Dome Camera Assembly.

Surge protection of the video coaxial cable shall meet or exceed the following specifications:

Clamp voltage:	6 Volts
Peak surge current:	500 Amps for 10 x 700 us
Protection type:	Line to ground
Attenuation:	0.1 dB @ 10 MHz.
Response time:	< 1 nanosecond
Impedance:	75 ohms
Connector type:	BNC
Technology:	Hybrid; both avalanche semiconductors and gas tube

Specifications for surge protection of remaining camera cable conductors shall be as follows:

Clamp voltage:	15 Volts
Peak surge current:	500 Amps per line for 10 x 700 us
Protection type:	Line to ground
Response time:	< 1 nanosecond
Connector type:	terminal strip
Technology:	Hybrid; both avalanche semiconductors and gas tube

Diagnostic Software

PC based diagnostic software shall be supplied which shall allow all camera functions accessible via the control/receiver driver to be viewed or exercised. A cable shall be provided with a standard 9-PIN PC RS232 port, to connect the receiver driver to the command port of the integrated CCTV dome camera assembly. A copy of this PC diagnostic shall be supplied with every assembly. The program shall operate under Windows XP and be capable of configuring and controlling a CCTV dome camera assembly and its functions (position, zoom, focus, iris, power, color balance, etc.) from within it. This includes storing and recalling preset positions for fast system configuration.

Camera Control

The camera and assembly shall accept and respond correctly to commands issued by the software program and provide all responses anticipated by the software.

Construction Requirements.

General

The Contractor shall prepare a shop drawing detailing the complete CCTV Dome Camera Assembly and installation of all components to be supplied for approval of the Engineer. Particular emphasis shall be given to the cabling and the interconnection of all of the components.

The Contractor shall install the CCTV dome camera assembly at the locations indicated in the Plans. The CCTV Dome Camera Assembly shall be mounted on a pole, wall, or other structure.

Camera assembly cables shall be terminated in the Equipment Cabinet, as indicated in the plans. This cabinet includes communication and power interfaces. Power supplied to the CCTV dome camera shall be 24, 89, or 120 VAC and is subject to manufacturers supplied equipment and shall be approved by the Engineer.

The Contractor shall install the composite cable with sufficient length to terminate all required camera functions in the equipment cabinet and at the dome. The Contractor shall terminate the cable at both ends.

Appropriate connectors shall be furnished and installed to interface the in-cabinet components to the integrated dome camera assembly. The Contractor shall mount the in-cabinet components in the equipment cabinet and connect them to AC power, communications, and video feeds.

Testing

The Contractor shall test each installed CCTV Dome Camera Assembly. The test shall be conducted from the field cabinet using the standard communication protocol and a laptop computer. The Contractor shall verify that the camera can be fully exercised and moved through the entire limits of Pan, Tilt, Zoom, Focus and Iris adjustments, using both the manual control and presets. In addition, a video monitor shall verify that the video signal meets or exceeds the specified requirements. The Contractor shall maintain a log of all testing and the results. A representative of the Contractor and a representative of the Engineer shall sign the log as witnessing the results. Records of all tests shall be submitted to the Engineer prior to accepting the installation.

Documentation

One copy of all operations and maintenance manuals for each CCTV component shall be delivered for each assembly installed. In addition, full documentation for all software and

associated protocols shall be supplied to the Department on a 3.5-inch floppy disk(s) and a CD-ROM. The Department reserves the right to provide this documentation to other parties who may be contracted with in order to provide overall integration or maintenance of this item.

Warranty

The Contractor shall warranty all materials and workmanship including labor for a period of two years after the completion and acceptance of the installation, unless other warranty requirements prevail. The warranty period shall begin when the Contractor completes all construction obligations related to this item and when the components for this item have been accepted, which shall be documented as the final completion date in the construction status report. This warranty shall include repair and/or replacement of all failed components via a factory authorized depot repair service. All items sent to the depot for repair shall be returned within two weeks of the date of receipt at the facility. The depot location shall be in the United States. Repairs shall not require more than two weeks from date of receipt and the provider of the warranty shall be responsible for all return shipping costs. The depot maintainer designated for each component shall be authorized by the original manufacturer to supply this service. A warranty certificate shall be supplied for each component from the designated depot repair site indicating the start and end dates of the warranty. The certificate shall be supplied at the conclusion of the system acceptance test and shall be for a minimum of two years after that point. The certificate shall name the Department as the recipient of the service. The Department shall have the right to transfer this service to other private parties who may be contracted to perform overall maintenance of the facility.

Method of Measurement. The closed circuit television dome camera bid item will be measured for payment by the actual number of CCTV dome camera assemblies furnished, installed, tested, and accepted.

Basis of Payment. Payment will be made at the contract unit price for each CLOSED CIRCUIT TELEVISION DOME CAMERA including all equipment, material, testing, documentation, and labor detailed in the contract documents for this bid item.

POLE MOUNTED EQUIPMENT CABINET TYPE C

Description. This work consists of furnishing and installing a pole mounted equipment cabinet and peripheral equipment at locations indicated in the Plans. These cabinets will be utilized to house critical electrical, optical, and communications equipment as defined in other contract pay items.

Materials. Materials shall be in accordance to the following specifications.

General. Equipment cabinets shall be mounted and anchored on the poles and structures at locations indicated in the Plans. These cabinets will have a housing that shall include, but not be limited to, miscellaneous items such as video transmitters, receiver/drivers, modems, etc. as defined by other pay items. In addition, all mounting hardware and brackets required to install the equipment cabinet on the pole shall be stainless steel and provided. The mounting heights and pole diameters shall be as specified by the Engineer.

The Type C cabinet shall be a stainless steel NEMA 4X Single Door Enclosure, adequately sized to house the required components, with nominal outside dimensions of approximately 26" high X 22" wide X 13" deep. It shall also be furnished with two adjustable height shelves. The cabinet shall also have a Corbin #2 dead bolt lock or equal. The key shall be removable in the lock position only. Four keys shall be supplied for each lock, and all equipment cabinet locks shall be keyed the same.

All cables shall be labeled utilizing marking tags.

Surge Protector

The Contractor shall install surge protection on all external cables. This will include primary power as well as signal and control cables.

The surge protector shall be an ECO SHA-1210IRS or approved equal.

A surge protector shall protect each leg of the primary power feed. This surge protector shall be installed as a precautionary measure against possible damage resulting from voltage surges on all incoming power lines. The 120V AC single-phase surge protector shall incorporate a series choke and shall have a maximum clamp voltage of 340 V at 20 kA with a 5 ns response.

In addition, the surge protector shall have the capability of removing high-energy surges and shall block high-speed transients. The surge protector shall comply with the following specifications:

Peak Current:	20,000 amps (8 X 20 us wave shape)
Occurrences:	20 times at peak current
Minimum Series Inductance:	200 microHenrys
Continuous Series Current:	50A
Temperature Range:	-40°F to 185°F (-40°C to +85°C)

Radio Interference Filter

A radio interference suppressor shall be installed in series with the line between the surge protector and the circuit breakers. The suppressor shall provide a minimum attenuation of 50 dB over a frequency range of 200 KHz to 75 MHZ. The suppressor shall be hermetically sealed in a substantial metal case filled with a suitable insulation compound and shall be capable of passing 50 Amperes of continuous current.

Fluorescent Light

The cabinet shall be equipped with a fluorescent lamp assembly. The fixture shall be equipped with cold-weather ballast.

CCTV Local Control Panel

The cabinet shall be equipped with a CCTV local control panel that will enable the CCTV camera to be tested at the cabinet. The local control panel shall include user-selectable RS-422 or RS-232 camera control and a video output.

Construction Requirements.

The Contractor shall prepare and submit shop drawings that detail all of the components to be supplied, along with associated mounting hardware for the pole mounted equipment cabinet. The shop drawings must be approved by the Engineer prior to any testing or installation of the completed cabinet in the field.

The Engineer reserves the right to inspect and/or factory test any completed cabinet assemblies prior to shipment of the material to the project site. Any deviations from these specifications that are identified during such testing shall be corrected prior to delivery of the assembly to the project site.

The AC power service to be run to the equipment cabinet shall be terminated. The cost of providing the AC power service connection is included in other bid items as designated in the Plans. In addition, the cabinet shall be connected to an adequate ground following the Standard Specifications. Power service shall be activated and the Contractor shall perform tests to verify that proper line service is being obtained.

The Contractor shall terminate any inbound and outbound fiber optic, telephone, or wireless antenna leads in the equipment cabinet as shown in the Plans. The Contractor shall terminate any twisted pair communication cable on the termination panel in the equipment cabinet as shown in the Plans. Lugs shall be installed at the end of each conductor suitable for connection to the barrier terminal blocks.

Method of Measurement. This item shall be measured for payment by each pole mounted equipment cabinet type C in-place.

Basis of Payment. This work shall be paid for at the contract unit price each for POLE MOUNTED EQUIPMENT CABINET TYPE C, and shall include all equipment, material and labor detailed in the specifications and as shown on the Plans.

20 AMP, 1 POLE CIRCUIT BREAKER

Description. This work shall consist of furnishing a single pole, rated 20 A circuit breaker that is mounted on an aluminum plate and is installed in a small panel board in an existing cabinet at the location shown on the Plans or as designated by the Engineer. This work shall be in accordance with the requirements set forth under Section 805 and 1086 and Article 1068.01(e)(3) in particular of the Standard Specifications.

Basis of Payment. This work will be paid for at the contract unit price of each for 20 AMP, 1 POLE CIRCUIT BREAKER, which shall be payment in full for all labor, equipment, and materials required to provide the circuit breaker installation described above, complete. Any charges by Central Illinois Light Company to provide electrical service to the service installation will be paid for separately according to Article 109.05.

CONTROLLER CABINET, TYPE IV, SPECIAL

This work shall be in accordance with Sections 857 and 1085 of the Standard Specifications except as modified herein.

A Type IV cabinet with nominal dimensions of 44" L x 26" W x 55" H will be provided by the Department. The Contractor shall be responsible for transporting the cabinet from the IDOT Traffic Building located at 5826 N. Knoxville Ave. to the project site and installing it on the proposed foundation. The base of the cabinet shall be caulked to prevent water intrusion.

Basis of Payment: This work will be paid for at the contract unit price each for CONTROLLER CABINET, TYPE IV, SPECIAL and shall be payment in full for all labor, materials, and equipment required to transport, and install the equipment described above, complete.

CAMERA POLE, 45'

The camera pole shall be galvanized steel and designed in accordance with the plan sheet detail.

Valmont Drawing Number IL4E43004 is approved for use.

Basis of Payment: This item shall be paid at the contract unit price each for CAMERA POLE, 45 FT. which price shall include all equipment, labor, and materials required to furnish and install the camera pole described above and as shown in the plan detail.

FIBER OPTIC LINK (CLOSED CIRCUIT TELEVISION) – SINGLE MODE FIBER

Description. A fiber optic link (CCTV) shall consist of a Fiber Optic Video Transmitter (FOVT) and a Fiber Optic Video Receiver (FOVR), and all other components required for a fully functional video/data link installed at locations as shown on the Plans. These devices, when connected with optical fibers, constitute a fiber optic link (CCTV).

Work under this item consists of furnishing, installing, and testing a Fiber Optic Video Transmitter (FOVT) and a matching Fiber Optic Video Receiver (FOVR) as shown on the Plans.

Materials. Single Mode Fiber: The Fiber Optic Video Transmitter (FOVT) shall be an IFS Model VDT14130WDM (or approved equivalent) for integration with the existing ITS system equipment. The Fiber Optic Video Receiver (FOVR) shall be an IFS Model VDR14130WDM (or approved equivalent) for integration with the existing ITS system equipment.

The single mode units shall feature 10-bit digitally encoded video transmission and shall have bi-directional data capability.

The Fiber Optic Video Transmitter converts analog NTSC video from a CCTV camera to an optical signal to be transmitted on a single-mode optical fiber. It also transmits and receives RS-232 data on the same fiber, converting between the optical and electrical signals.

A Fiber Optic Video Receiver shall receive optically modulated video and data from the Fiber Optic Video Transmitter and converts it to NTSC and RS-232 electrical signals for video monitoring and control. It shall also convert RS-232 data from electrical to optical signals and transmit them to the Video Fiber Optic Transmitter.

A single fiber will be used for both video and data transmission. The use of equipment that is not wave division multi-plexing (WDM) and requires the use of more than one fiber, will not be allowed.

Environmental:

Fiber Optic Link (CCTV) shall comply with the following environmental specifications:

Temperature: -40°C to +74°C
Humidity: 0 to 95 %, non-condensing

The Contractor shall supply Fiber Optic Video Transmitters and Fiber Optic Video Receivers, that when configured as a Fiber Optic Link (CCTV) shall meet or exceed the following minimum specifications:

Video Bandwidth: 5 Hz -10 MHz (Single Mode)
Video Impedance 75 ohms
Video I/O voltage 1 v p-p (nominal)
Differential Gain: <2%
Differential Phase: <0.7 degrees
Tilt: <1%
Video S/N ratio: >67 dB @ Maximum Optical Loss Budget
Optical Driver: Laser Diode
Optical Wavelength: 1310/1550 nm
Optical Power Budget: 17 dB (Single Mode)
Number of Fibers: 1

Interface Connectors:

Optical: ST
Video: BNC
Protocols: RS-232, RS-422, RS-485 (Tri-State 2 or 4 Wire)
Operating Mode: Simplex or Full Duplex (Bi-directional Data)
Data: Terminal block with Screw Connector
Data Rates: DC-512 Kbps
Power: 120VAC ±10%, 12 VDC @ 500 mA
<15 Watts

The Contractor shall furnish and install optical, data, and coaxial cables to interconnect the equipment as needed.

The Contractor shall supply over-voltage protection on all coaxial and control cables exiting the cabinet and connected to the fiber optic modem.

The Contractor shall furnish rack mounted CCTV fiber optic receivers for the five units that will be installed at the Peoria Public Works Dries Lane facility. All other transmitters and receivers shall be stand-alone shelf mount units.

The Contractor shall also furnish and install (at Dries Lane) a total of one rack mount card cage and plug-in power supply that meets the following specifications:

Approved Model: IFS R3 with power supply (or approved equal)

Input Voltage: 115 VAC

Power Supply (to plug in modules): 20 VAC C.T. @ 2.8A

Capacity: 14 one inch modules or 7 two inch modules

Fusing: 1A slow blow (Rack Power Supply)

Operating Temperature: -40C to +74C, ambient

Construction Requirements:

The Contractor shall install the Fiber Optic Link (CCTV) as shown on the Plans.

The Contractor shall install over-voltage protection where the coaxial cable from the camera enters the equipment cabinet and prior to connecting to the Fiber Optic Video Transmitter. The Transmitter and protector module shall be grounded to the cabinet in accordance with the National Electrical Code.

The Contractor shall connect the Fiber Optic Video Transmitter and Fiber Optic Video Receiver to the assigned fiber in the fiber optic backbone cable. Power shall be applied to both units. An end-to-end test shall demonstrate the correct operation of the Fiber Optic Link (CCTV). This test can use test equipment to simulate the video and RS-232 signals, or it can use the actual CCTV dome camera.

Method of Measurement. Fiber optic link (CCTV) will be measured per unit, completely installed and operational.

Basis of Payment. FIBER OPTIC LINK (CLOSED CIRCUIT TELEVISION), measured as provided above, will be paid for at the contract unit price each, which price shall be payment in full for furnishing, installing, and testing the units; and for all labor, tools, equipment, and incidentals necessary to complete the work.

FIBER OPTIC LINK (CLOSED CIRCUIT TELEVISION) MULTI-MODE

Description. A fiber optic link (CCTV) shall consist of a Fiber Optic Video Transmitter (FOVT) and a Fiber Optic Video Receiver (FOVR), and all other components required for a fully functional video/data link installed at locations as shown on the Plans. These devices, when connected with optical fibers, constitute a fiber optic link (CCTV).

Materials. Multi-Mode Fiber: The Fiber Optic Video Transmitter (FOVT) shall be an IFS Model VT1920WDM (or approved equivalent) for integration with the existing ITS system equipment. The Fiber Optic Video Receiver (FOVR) shall be an IFS Model VR1920WDM (or approved equivalent) for integration with the existing ITS system equipment.

The multi-mode units shall feature FM video transmission and have bi-directional data capability.

The Fiber Optic Video Transmitter converts analog NTSC video from a CCTV camera to an optical signal to be transmitted on a single-mode optical fiber. It also transmits and receives RS-232 data on the same fiber, converting between the optical and electrical signals.

A Fiber Optic Video Receiver shall receive optically modulated video and data from the Fiber Optic Video Transmitter and converts it to NTSC and RS-232 electrical signals for video monitoring and control. It shall also convert RS-232 data from electrical to optical signals and transmit them to the Video Fiber Optic Transmitter.

A single fiber will be used for both video and data transmission. The use of equipment that is not wave division multi-plexing (WDM) and requires the use of more than one fiber, will not be allowed.

Environmental. Fiber Optic Link (CCTV) shall comply with the following environmental specifications:

Temperature: -40°C to +74°C
Humidity: 0 to 95 %, non-condensing

The Contractor shall supply Fiber Optic Video Transmitters and Fiber Optic Video Receivers, that when configured as a Fiber Optic Link (CCTV), shall meet or exceed the following minimum specifications:

Video Bandwidth: 5 Hz - 6.0 MHz
Video Impedance 75 ohms
Video I/O voltage 1 v p-p (nominal)
Differential Gain: <5%
Differential Phase: <5 degrees
Tilt: <1%
Video S/N ratio: >55 dB typical @ 10 dB Attenuation
Optical Driver Laser Diode
Optical Wavelength 1310/1550 nm
Optical Power Budget 15 dB
Number of Fibers: 1

The link shall maintain the specified video parameters with an optical link loss of 0-10 dB

Interface Connectors:

Optical: ST
Video: BNC (750 Max RG59 Cable Length)
Protocols: RS-232, RS-422, RS-485 (Tri-State 2 or 4 Wire)
Operating Mode: Simplex or Full Duplex (Bi-directional Data)
Data: Terminal block with screw clamps
Data Rates: DC-50 Kbps
Power: 120 VAC \pm 10%, 12 VDC @ 300mA

The Contractor shall furnish and install optical, data, and coaxial cables to interconnect the equipment as needed.

The Contractor shall supply over-voltage protection on all coaxial and control cables exiting the cabinet and connected to the fiber optic modem.

Construction Requirements:

The Contractor shall install the Fiber Optic Link (CCTV) as shown on the Plans.

The Contractor shall install over-voltage protection where the coaxial cable from the camera enters the equipment cabinet and prior to connecting to the Fiber Optic Video Transmitter. The Transmitter and protector module shall be grounded to the cabinet in accordance with the National Electrical Code.

The Contractor shall connect the Fiber Optic Video Transmitter and Fiber Optic Video Receiver to the assigned fiber in the fiber optic backbone cable. Power shall be applied to both units. An end-to-end test shall demonstrate the correct operation of the Fiber Optic Link (CCTV). This test can use test equipment to simulate the video and RS-232 signals, or it can use the actual CCTV dome camera.

Method of Measurement. Fiber optic link (CCTV) will be measured per unit, completely installed and operational.

Basis of Payment. FIBER OPTIC LINK (CLOSED CIRCUIT TELEVISION), MULTI-MODE measured as provided above, will be paid for at the contract unit price each, which price shall be payment in full for furnishing, installing, and testing the units; and for all labor, tools, equipment, and incidentals necessary to complete the work.

PEORIA PUBLIC WORKS DRIES LANE NODE

Description. Under this item, the Contractor shall be responsible for furnishing, installing, and integrating hardware, software, and equipment to complete the communications systems at the city of Peoria Public Works Building located at 3505 North Dries Lane in Peoria.

The Contractor shall provide and install two six-channel video encoders, approximately 140 ft. of OFNP (Plenum Rated) or OFNR (Riser Rated) 12F (minimum) single mode indoor fiber optic cable from the traffic signal computer room to the ITS/telecom room, all cables including CAT 5E and coax, and perform all other miscellaneous work required to complete the improvements.

Materials.

General

Environmental Requirements:

All subsystem components shall operate as specified under the following ambient conditions:

- ◆ Temperature: 32°F to +122°F (0°C to 50°C)
- ◆ Relative Humidity: 25% to 90%

Labeling Requirements:

The Contractor shall label all cables and ports using permanent cable tags. These labels shall identify the function of the cables and the ports the cables are connected to.

The Contractor shall label all cable terminations, jacks, and connectors with function and system identification.

Cable:

- ◆ Network The Contractor shall furnish twisted-pair cables, UTP Category 5e, as required and in accordance with the Plans. Cable terminations for network cables shall be Category 5e or greater.
- ◆ RF and Video The Contractor shall furnish and install coaxial cables as required and in accordance with the plans. For applications requiring low-loss RF cables, the Contractor shall install RG-214/U or equivalent, “riser” rated cable. For local video connections, the Contractor shall furnish and install RG-6/U or equivalent cables.

For video connections and distribution, the Contractor shall furnish and install RG-6 cable for point-to-point wiring and RG-59/U cable to connect to the monitors and switching equipment. All cables shall be “riser” rated.
- ◆ Fiber The fiber optic cable shall be rated for indoor installation (either OFNR or OFNP). The cable will be installed in a plastic orange duct above the suspended ceiling.

Video Encoder:

The video encoder shall be a Coretec Model VCX-6406E (or approved equal) for integration with the existing ITS system.

The video encoder shall encode analog video. The digitized and compressed video will be decoded at the IDOT District Four Communication Center Node located in the Becker Building, 401 Main Street in Peoria.

In addition, the codec shall encode camera pan, tilt, zoom, focus and iris commands from the DS-1 service and shall return camera and controller status to the DS-1 service.

The video encoder shall comply with the following data formatting, decompressing, and electrical requirements:

Input Power:

95-130 VAC, 200-240 VAC

Compression:

MPEG-2, MPEG-4, variable frame rate and resolution
D1 720h x 480v NTSC
2/3 D1 480h x 480v NTSC
1/2 D1 352h x 480v NTSC
SIF 352h x 240v NTSC

Frame Rate: 1-30 fps

Inputs:

Video: Six NTSC Composite (1 V peak to peak, 75 Ohm, 60 Hz)
Data/Status: Four RS-232/422/485 (Selectable)
Data Rate: up to 115 kbps

Outputs:

Video and Status: EIA-530 at DS-1 rate

Indicators:

2-line scrolling display

Connectors:

Video: BNC (6)
Status/Control: RJ-45

Network Parameters:

Data Rate: 32kbps to 6.0 Mbps
Ethernet: RJ-45
Interface: 10/100 Base T
Protocols: UDP, IP (v4), IGMP (v2), Multicast

Environmental:

Temperature: Meets NEMA Standards
Humidity: 0-95% non-condensing
Meets NEMA TS-2 Standards for Shock, Vibration, and Electrical Transients

Mechanical:

Dimensions: 19" W x 1.75" H x 12" D

Mounting:

Rack Mounted in Standard 19" Rack

Construction Requirements.

General

The Contractor shall install both six-channel rack mounted video encoders in the existing 19" equipment rack located in the ITS/Telecom room. The video encoders will be connected to the existing Ethernet switch located on the equipment rack.

The IDOT ITS technician will program all operational parameters into the encoder and connect it to the Ethernet switch.

The Contractor shall install a piece of fiber optic cable from the rack-mounted fiber enclosure located in the Traffic Signal Computer room to the ITS/Telecom Equipment room. The fiber shall be rated for indoor installation and shall be either OFNR (riser) or OFNP (plenum) rated, depending upon building code and requirements. The Contractor shall install the fiber inside plastic communications duct and leave a minimum of fifteen feet of slack cable. The fiber will be fusion spliced to the existing fiber in the Traffic Signal Computer room to extend the CCTV fiber links to the ITS/Telecom Equipment Room.

Fusion splices will be paid separately under the pay item for FIBER OPTIC FUSION SPLICE.

The Contractor shall prepare a shop drawing, which details all of the equipment to be supplied under this bid item. The submittal shall consist of the standard catalogue descriptions and user or installation manuals for each component. The information submitted must be sufficient to verify that the equipment is compliant with all of requirements included in the material specifications. In addition, schematics shall be included which detail the interconnection of all of the components to other system components.

Two (2) copies of all operations and maintenance manuals for each central component shall be delivered for each assembly installed.

Warranty. The Contractor shall warranty all materials and workmanship including labor for a period of two years after the completion and acceptance of the installation, unless other warranty requirements prevail. The warranty period shall begin when the Contractor completes all construction obligations related to this item and when the components for this item have been accepted, which shall be documented as the final completion date in the construction status report. This warranty shall include repair and/or replacement of all failed components via

a factory authorized depot repair service. All items sent to the depot for repair shall be returned within two weeks of the date of receipt at the facility. The depot location shall be in the United States. Repairs shall not require more than two weeks from date of receipt and the provider of the warranty shall be responsible for all return shipping costs. The depot maintainer designated for each component shall be authorized by the original manufacturer to supply this service. A warranty certificate shall be supplied for each component from the designated depot repair site indicating the start and end dates of the warranty. The certificate shall be supplied at the conclusion of the system acceptance test and shall be for a minimum of two years after that point. The certificate shall name the Department as the recipient of the service. The Department shall have the right to transfer this service to other private parties who may be contracted to perform overall maintenance of the facility.

Method of Measurement. The Peoria Public Works Dries Lane node installation will be measured on a lump-sum basis for all center elements and equipment, subsystems and components specified herein.

Basis of Payment. This item shall be paid at the contract lump-sum price for PEORIA PUBLIC WORKS DRIES LANE NODE which price shall include all equipment, material, testing, documentation and labor detailed in the contract documents.

EAST PEORIA PUBLIC SAFETY BUILDING NODE

Description. Under this item, the Contractor shall be responsible for furnishing, installing, and integrating hardware, software, and equipment to complete the communications systems at the City of East Peoria Public Safety Building.

The Contractor shall provide and install one six-channel video encoder, all cables including CAT 5E and coax in the existing outdoor ITS equipment cabinet located at the East Peoria Public Safety Building, and perform all other miscellaneous work required to complete the improvements.

Materials.

General

Environmental Requirements:

All subsystem components shall operate as specified under the following ambient conditions:

- ◆ Temperature: 32°F to +122°F (0°C to 50°C)
- ◆ Relative Humidity: 25% to 90%

Labeling Requirements:

The Contractor shall label all cables and ports using permanent cable tags. These labels shall identify the function of the cables and the ports the cables are connected to.

The Contractor shall label all cable terminations, jacks, and connectors with function and system identification.

Cable:

- ◆ Network The Contractor shall furnish twisted-pair cables, UTP Category 5e, as required and in accordance with the Plans. Cable terminations for network cables shall be Category 5e or greater.

- ◆ RF and Video The Contractor shall furnish and install coaxial cables as required and in accordance with the plans. For applications requiring low-loss RF cables, the Contractor shall install RG-214/U or equivalent, "riser" rated cable. For local video connections, the Contractor shall furnish and install RG-6/U or equivalent cables.

For video connections and distribution, the Contractor shall furnish and install RG-6 cable for point-to-point wiring and RG-59/U cable to connect to the monitors and switching equipment. All cables shall be "riser" rated.

Video Encoder:

The video encoder shall be a Coretec Model VCX-6406E (or approved equal) for integration with the existing ITS system.

The video encoder shall encode analog video. The digitized and compressed video will be decoded at the IDOT District Four Communication Center Node located in the Becker Building.

In addition, the codec shall encode camera pan, tilt, zoom, focus and iris commands from the DS-1 service and shall return camera and controller status to the DS-1 service.

The video encoder shall comply with the following data formatting, decompressing, and electrical requirements:

Input Power:

95-130 VAC, 200-240 VAC

Compression:

MPEG-2, MPEG-4, variable frame rate and resolution
D1 720h x 480v NTSC
2/3 D1 480h x 480v NTSC
1/2 D1 352h x 480v NTSC
SIF 352h x 240v NTSC
Frame Rate: 1-30 fps

Inputs:

Video: Six NTSC Composite (1 V peak to peak, 75 Ohm, 60 Hz)
Data/Status: Four RS-232/422/485 (Selectable)
Data Rate: up to 115 kbps

Outputs:

Video and Status: EIA-530 at DS-1 rate

Indicators: 2-line scrolling display

Connectors:

Video: BNC (6)
Status/Control: RJ-45

Network Parameters:

Data Rate: 32kbps to 6.0 Mbps
Ethernet: RJ-45
Interface: 10/100 Base T
Protocols: UDP, IP (v4), IGMP (v2), Multicast

Environmental:

Temperature: Meets NEMA Standards
Humidity: 0-95% non-condensing
Meets NEMA TS-2 Standards for Shock, Vibration, and Electrical Transients

Mechanical:

Dimensions: 19" W x 1.75" H x 12" D

Mounting: Rack Mounted in Standard 19" Rack

Construction Requirements.

General.

The Contractor shall install the six-channel rack mounted video encoder as indicated on the plan sheets in the existing outdoor ITS communications cabinet rack. The video encoder will be connected to the existing Ethernet switch located inside the cabinet.

The IDOT ITS technician will program all operational parameters into the encoder and connect it to the Ethernet switch.

The Contractor shall prepare a shop drawing, which details all of the equipment to be supplied under this bid item. The submittal shall consist of the standard catalogue descriptions and user or installation manuals for each component. The information submitted must be sufficient to verify that the equipment is compliant with all of requirements included in the material specifications. In addition, schematics shall be included which detail the interconnection of all of the components to other system components.

Two (2) copies of all operations and maintenance manuals for each central component shall be delivered for each assembly installed.

Warranty. The Contractor shall warranty all materials and workmanship including labor for a period of two years after the completion and acceptance of the installation, unless other warranty requirements prevail. The warranty period shall begin when the Contractor completes all construction obligations related to this item and when the components for this item have been accepted, which shall be documented as the final completion date in the construction status report. This warranty shall include repair and/or replacement of all failed components via a factory authorized depot repair service. All items sent to the depot for repair shall be returned within two weeks of the date of receipt at the facility. The depot location shall be in the United States. Repairs shall not require more than two weeks from date of receipt and the provider of the warranty shall be responsible for all return shipping costs. The depot maintainer designated for each component shall be authorized by the original manufacturer to supply this service. A warranty certificate shall be supplied for each component from the designated depot repair site indicating the start and end dates of the warranty. The certificate shall be supplied at the conclusion of the system acceptance test and shall be for a minimum of two years after that point. The certificate shall name the Department as the recipient of the service. The Department shall have the right to transfer this service to other private parties who may be contracted to perform overall maintenance of the facility.

Method of Measurement. The East Peoria Public Safety Building node installation will be measured on a lump-sum basis for all center elements and equipment, subsystems and components specified herein.

Basis of Payment. This item shall be paid at the contract lump-sum price for EAST PEORIA PUBLIC SAFETY BUILDING NODE which price shall include all equipment, material, testing, documentation and labor detailed in the contract documents.

ILLINOIS DEPARTMENT OF TRANSPORTATION COMMUNICATIONS NODE

Description. Under this item, the Contractor shall be responsible for furnishing, installing, and integrating hardware, software, and equipment to complete the communications at the Illinois Department of Transportation Communications Center Node located at 401 Main Street, Peoria, Illinois on the seventh floor of the Becker Building.

The Contractor shall provide and install seven chassis card mounted video decoders (to decode encoded video and PTZ data from the proposed CCTV cameras), one 19" card cage chassis with integral power supply, one Vicon CCTV IDL unit, and all other items required to complete the improvement.

Materials

General. Environmental Requirements:

All subsystem components shall operate as specified under the following ambient conditions:

- ◆ Temperature: 32°F to +122°F (0°C to 50°C)
- ◆ Relative Humidity: 25% to 90%

Labeling Requirements:

The Contractor shall label all cables and ports using permanent cable tags. These labels shall identify the function of the cables and the ports the cables are connected to. The Contractor shall label all cable terminations, jacks, and connectors with function and system identification.

Cable:

- ◆ Network The Contractor shall furnish twisted-pair cables, UTP Category 5e, as required and in accordance with the Plans. Cable terminations for network cables shall be Category 5e or greater.
- ◆ RF and Video The Contractor shall furnish and install coaxial cables as required and in accordance with the Plans. For applications requiring low-loss RF cables, the Contractor shall install RG-214/U or equivalent, "riser" rated cable. For local video connections, the Contractor shall furnish and install RG-6/U or equivalent cables.

For video connections and distribution, the Contractor shall furnish and install RG-6 cable for point-to-point wiring and RG-59/U cable to connect to the monitors and switching equipment. All cables shall be "riser" rated.

Video Decoder:

The video decoder shall be a Coretec Model VCX-6400D-R (rack mounted chassis card) for integration with the existing rack-mounted components and ITS system.

The video decoders shall decode digitized and compressed video from the proposed CCTV cameras.

In addition, the unit(s) shall decode camera pan, tilt, zoom, focus and iris commands from the DS-1 service and shall return camera and controller status to the DS-1 service.

The video decoder shall comply with the following data formatting, decompressing, and electrical requirements:

Input Power:

95-130 VAC, 60 Hz
Current Draw: 58mA@120v

Compression:

MPEG-1, MPEG-2, MPEG-4(ASP), H.264, WMV-9, JPEG Decoding
Resolution:
D1 720h x 480v NTSC
2/3 D1 480h x 480v NTSC
1/2 D1 352h x 480v NTSC
SIF 352h x 240v NTSC
Frame Rate: 1-30 fps

Inputs:

Video: S-Video, RGB, DVI, Composite Video
1 NTSC (1 volt peak-to-peak, 750 Ohm, 60 Hz)
Data: Two RS-232/422/485 (selectable)
Audio: S/PDIF, 5.1 Dolby

Data:

Handshaking: Software Selectable
Connectors: RJ 45
Data Rate: up to 38.4 kbps

Indicators: 2-line scrolling display

Network Parameters:

Data Rate: 1.0 Mbps to 6.0 Mbps
Ethernet: RJ-45
Interface: 10/100 Base T
Protocols: UDP, IP (v4), IGMP (v2), Multicast

Environmental:

Temperature: -20 to +70 degree C
Humidity: 0-95% non-condensing
Meets NEMA TS-2 Standards for Shock, Vibration, and Electrical Transients

Mounting: Chassis Card Mounted in R-12 Enclosure

The card cage chassis shall be a Coretec model R-12 (or approved equal) and conform to the following minimum specifications:

Enclosure:

Dimensions: 19" W x 15" L x 6.9" H (4 RU)
Accommodates 12 modules

Power Supply:

Input Voltage Range : 85-264 VAC @ 47-63 Hz
DC Output Voltage : 12 volts

Rated Output Current: 16.7 A
Rated Output Power: 200 Watts
AC Current: 2.8A @ 115 VAC, 1.4A @ 230 VAC
Line Regulation: 0.5%
Load Regulation: 0.5%
Operating Temperature: -20C to +70C

CCTV Intelligent Line Distribution Unit

The Contractor shall furnish and install a Vicon CCTV Intelligent Line Distribution Unit (IDL), model V1400-IDL and install it in the existing equipment rack located in the ITS Equipment Room.

The Intelligent Distribution Line Control shall provide convenient connection of a Vicon-based CPU Control System to a maximum of 10 Vicon Input or Output Devices using RS-422/485 protocol on 6-position, removable Terminal Block connectors. The IDL shall have intelligence by employing a microprocessor to monitor the system status. It shall have the capability of detecting corrupt Station and CPU line communication and displaying their status using front panel LEDs. It shall have the ability to shutdown any, or all, Station lines that it cannot communicate with. The IDL shall be mounted on a desk or in a standard 19 inch (48 cm) rack and shall be available in a 120 VAC or 230 VAC model. The IDL shall be strictly an indoor unit constructed of sheet steel with a black enamel finish. Height, width and depth shall not exceed 4.0 in. (10.2 cm), 20.0 in. (50.8 cm) and 12.0 in. (30.5 cm), respectively. Weight shall not exceed 6.5 lb (2.9 kg). The Distribution Line Control shall be Vicon's base Model V1400X-IDL.

Construction Requirements.

General. The Contractor shall install the proposed equipment in the ITS Equipment Room located at the IDOT District Four Headquarters. There will be no additional compensation for rearranging existing components to facilitate installation. The proposed equipment shall be rack mounted and installed in the existing 19" rack units.

The IDOT ITS technician will program all operational parameters into the encoder and connect it to the Ethernet switch.

The Contractor shall prepare a shop drawing, which details all of the equipment to be supplied under this bid item. The submittal shall consist of the standard catalogue descriptions and user or installation manuals for each component. The information submitted must be sufficient to verify that the equipment is compliant with all of requirements included in the material specifications. In addition, schematics shall be included which detail the interconnection of all of the components to other system components.

The Contractor shall develop and submit for the Engineer's approval, a detailed test plan that verifies that each component is compliant with the specification and that all of the interconnection cables are operational and properly configured. At the test, each component will be inspected to verify that it has been delivered according to the approved shop drawings.

Five (5) copies of all operations and maintenance manuals for each central component shall be delivered for each assembly installed.

Warranty

The Contractor shall warranty all materials and workmanship including labor for a period of two years after the completion and acceptance of the installation, unless other warranty requirements prevail. The warranty period shall begin when the Contractor completes all construction obligations related to this item and when the components for this item have been accepted, which shall be documented as the final completion date in the construction status report. This warranty shall include repair and/or replacement of all failed components via a factory authorized depot repair service. All items sent to the depot for repair shall be returned within two weeks of the date of receipt at the facility. The depot location shall be in the United States. Repairs shall not require more than two weeks from date of receipt and the provider of the warranty shall be responsible for all return shipping costs. The depot maintainer designated for each component shall be authorized by the original manufacturer to supply this service. A warranty certificate shall be supplied for each component from the designated depot repair site indicating the start and end dates of the warranty. The certificate shall be supplied at the conclusion of the system acceptance test and shall be for a minimum of two years after that point. The certificate shall name the Department as the recipient of the service. The Department shall have the right to transfer this service to other private parties who may be contracted to perform overall maintenance of the facility.

Method of Measurement: The Illinois Department of Transportation Communications Node installation will be measured on a lump-sum basis for all center elements and equipment, subsystems and components specified herein.

Basis of Payment: This item shall be paid at the contract lump-sum price for ILLINOIS DEPARTMENT OF TRANSPORTATION COMMUNICATIONS NODE which price shall include all equipment, material, testing, documentation and labor detailed in the contract documents.

FIBER OPTIC CONNECTOR, ST, FUSION SPLICED

Description. The Contractor will terminate a fiber by fusion splicing a factory-formed ST connector (severed fiber optic patch cable) onto a field fiber at the locations shown on the Plans.

Materials. The Contractor shall be responsible for ensuring that the pre-formed ST connector fiber is compatible with the field fiber that it will be fusion splice to.

The splice shall be protected with a standard protection sleeve/enclosure that will secure both cables and prevent cable movement.

The fiber optic patch cords shall meet or exceed the following specifications:

- High-quality 125um fiber optics
- 900um tight buffer construction
- Aramid yarn individually protected
- Duplex construction
- Stress relief boots color coded (Tx/Rx)
- ST connectors with high-grade zirconia ferrule
- Insertion Loss < 0.2 dB @ 1310 / 1550 nm
- Return Loss < -58 dB @ 1310 / 1550 nm
- Compliant with ANSI/TIA/EIA 568-B.3
- TIA/EIA-604, FOCIS-2

The Contractor shall submit a shop drawing of all proposed components to the Engineer for approval prior to commencing construction.

Construction Requirements.

The Contractor shall prepare the cables and fibers in accordance with the cable manufacturers' installation practices. A copy of these practices shall be provided to the Engineer 21 days prior to splicing operations.

Using a fusion splicer, the Contractor shall optimize the alignment of the fibers and fuse them together. The Contractor shall recoat the fused fibers and install mechanical protection over them.

Upon completing all splicing operations for a cable span, the Contractor shall measure the mean bi-directional loss at each connector using an Optical Time Domain Reflectometer. This loss shall not exceed the loss of the fusion splice (0.1 dB) plus the loss of the connector (typically 0.75 dB).

As directed by the Engineer, the Contractor at no additional cost to the Department shall replace any cable splice and/or connector not satisfying the required objectives.

Method of Measurement. Fiber optic connectors will be measured as a unit, completely installed and tested.

Basis of Payment. FIBER OPTIC CONNECTOR, ST, FUSION SPLICED of the type specified, measured as provided above, will be paid for at the contract unit price each, which price shall be payment in full for furnishing and installing the splices and enclosures, performing all required testing, including all labor, tools, equipment, and incidentals necessary to complete the work.

TRENCH AND BACKFILL FOR ELECTRICAL WORK, SPECIAL

This work shall be in accordance with Sections 819 and 1003 of the Standard Specifications except as modified herein.

Location of US 150 & IL 29: The Contractor shall backfill the trench on the backslope to restore the ground to its existing state. The trench shall be backfilled and seeded to prevent the soil from eroding. The Contractor shall also backfill the trench and restore the gravel located under the US 150 (War Memorial Dr.) overpass along IL 29 (Adams St.) back to its original condition.

The Contractor shall be responsible for damage incurred in any area of the project such as medians, pavement, shoulders, backslopes, driveways, and sidewalks and shall restore them to their original condition as directed by the Engineer.

Basis of Payment: This work will be paid for at the contract unit price per foot for TRENCH AND BACKFILL FOR ELECTRICAL WORK, SPECIAL which will be payment in full for all labor, equipment, and materials required to construct and backfill a trench, and as described above.

POLE MOUNTED EQUIPMENT CABINET TYPE C, INSTALL ONLY

Description. This work consists of installing a Department furnished pole mounted equipment cabinet and peripheral equipment at locations indicated in the Plans. These cabinets will be utilized to house critical electrical, optical, and communications equipment as defined in other contract pay items.

The Contractor shall be responsible for transporting the cabinet from the IDOT Traffic Building located at 5826 N. Knoxville Ave. to the project site and installing it on the existing CCTV camera pole located at IL 116 (Main St.) & US 24. The Contractor shall supply all materials, including brackets and hardware, required for installation.

Materials. Materials shall be in accordance to the following specifications.

General.

Equipment cabinets shall be mounted and anchored on the poles and structures at locations indicated in the Plans. The mounting heights and pole diameters shall be as specified by the Engineer.

CCTV Local Control Panel

A CCTV local control panel will be installed in the cabinet. The local control panel will be paid for under the pay item for CCTV LOCAL CONTROL PANEL.

Construction Requirements.

The AC power service to be run to the equipment cabinet shall be terminated. The cost of providing the AC power service connection is included in other bid items as designated in the Plans. In addition, the cabinet shall be connected to an adequate ground following the Standard Specifications. Power service shall be activated and the Contractor shall perform tests to verify that proper line service is being obtained.

The Contractor shall terminate any inbound and outbound fiber optic, telephone, or wireless antenna leads in the equipment cabinet as shown in the Plans. The Contractor shall terminate any twisted pair communication cable on the termination panel in the equipment cabinet as shown in the Plans. Lugs shall be installed at the end of each conductor suitable for connection to the barrier terminal blocks.

Method of Measurement. This item shall be measured for payment by each pole mounted equipment cabinet type C in-place.

Basis of Payment. This work shall be paid for at the contract unit price each for POLE MOUNTED EQUIPMENT CABINET TYPE C, INSTALL ONLY and shall include all equipment, material and labor required for installation as detailed in the specifications and as shown on the Plans.

GROUNDING OF ITS STRUCTURES

This work shall be in accordance with the applicable articles of Sections 807, 817 and 1066 of the Standard Specifications with the following modifications:

This work shall consist of furnishing and installing a grounding wire to connect all proposed ITS cabinets and camera poles in accordance with NEC requirements.

The proposed ground wire shall be an insulated #8 #6 XLP green copper conductor. This wire shall be bonded to all items and their associated ground rods utilizing mechanical lugs and bolts. This wire may be made continuous by splicing in the adjacent handholes with compression lugs. Split bolts will not be allowed.

The grounding wire shall be bonded to the grounded conductor at the service disconnect per the NEC.

All clamps, hardware, and other materials required shall be included.

Basis of Payment: This work will not be paid for separately, but shall be included in the unit bid prices for their associated items.

TRAFFIC CONTROL PLAN

Effective February 2, 2007

Traffic control shall be in accordance with the applicable sections of the "Standard Specifications for Road and Bridge Construction," the applicable guidelines contained in the "Illinois Manual on Uniform Traffic Control Devices for Streets and Highways," these Special Provisions, and any special details and Highway Standards contained herein and in the plans.

Special attention is called to Section 701 and Articles 107.09 and 107.14 of the "Standard Specifications for Road and Bridge Construction" and the following Highway Standards relating to traffic control:

701001	701006	701101	701106
701421	701601	701701	702001

Traffic shall be maintained on the associated roadways at all times during the construction of the Intelligent Transportation System (ITS) elements and associated communications infrastructure. All lane closures shall be made during off-peak traffic hours, defined as time periods from 8:30 a.m. to 3:30 p.m. and 5:30 p.m. to 7:00 a.m. The Contractor shall notify the Engineer forty-eight (48) hours before the time of a planned closure. The exact time and duration of all lane closures, however, shall be as determined by the Engineer.

All traffic control devices shall be furnished, erected, maintained, and removed by the Contractor in accordance with the Standard Specifications. Where possible, all post-mounted signs shall be placed a minimum of two (2') feet (0.6m) beyond the curb or edge of shoulder. Proposed sign spacing may be modified as approved by the Engineer in order to meet existing field conditions or to prevent obstruction of the motorist's view of permanent signing.

ERRATA FOR THE 2007 STANDARD SPECIFICATIONS (BDE)

Effective: January 1, 2007

Revised: April 1, 2007

- Page 60 Article 109.07(a). In the second line of the first paragraph change "amount" to "quantity".
- Page 207 Article 406.14. In the second line of the second paragraph change "MIXTURE FOR CRACKS, JOINTS, AND FLANGEWAYS, of the mixture composition specified;" to "MIXTURE FOR CRACKS, JOINTS, AND FLANGEWAYS;".
- Page 345 Article 505.08(l). In the third line of the first paragraph change "1/8 mm" to "1/8 in.".
- Page 345 Article 505.08(l). In the nineteenth line of the first paragraph change "is" to "in".

- Page 383 Article 516.04(b)(1). In the fifth line of the first paragraph change “drillingpouring” to “pouring”.
- Page 390 Article 520.02(h). Change “1027.021” to “1027.01”.
- Page 398 Article 540.07(b). Add the following two paragraphs after the third paragraph:
“Excavation in rock will be measured for payment according to Article 502.12.
Removal and disposal of unstable and/or unsuitable material below plan bedding grade will be measured for payment according to Article 202.07.”
- Page 398 Article 540.08. Add the following two paragraphs after the fifth paragraph:
“Excavation in rock will be paid for according to Article 502.13.
Removal and disposal of unstable and/or unsuitable material below plan bedding grade will be paid for according to Article 202.08.”
- Page 435 Article 542.04(b). Delete the last sentence of the last paragraph.
- Page 465 Article 551.06. In the second line of the first paragraph change “or” to “and/or”.
- Page 585 Article 701.19(a). Add “701400” to the second line of the first paragraph.
- Page 586 Article 701.19(c). Delete “701400” from the second line of the first paragraph.
- Page 586 Article 701.19. Add the following subparagraph to this Article:
“(f) Removal of existing pavement markings and raised reflective pavement markers will be measured for payment according to Article 783.05.”
- Page 587 Article 701.20(b). Delete “TRAFFIC CONTROL AND PROTECTION 701400;” from the first paragraph.
- Page 588 Article 701.20. Add the following subparagraph to this Article.
“(j) Removal of existing pavement markings and raised reflective pavement markers will be paid for according to Article 783.06.”
- Page 762 Article 1020.04. In Table 1 Classes of Portland Cement Concrete and Mix Design Criteria, add to the minimum cement factor for Class PC Concrete “5.65 (TY III)”, and add to the maximum cement factor for Class PC Concrete “7.05 (TY III)”.
- Page 765 Article 1020.04. In Table 1 Classes of Portland Cement Concrete and Mix Design Criteria (metric), add to the minimum cement factor for Class PC Concrete “335 (TY III)”, and add to the maximum cement factor for Class PC Concrete “418 (TY III)”.

- Page 800 Article 1030.05(a)(12). Revise “Dust Collection Factor” to “Dust Correction Factor”.
- Page 800 Article 1030.05(a)(14). Revise the first occurrence of Article 1030.05(a)(14) to Article 1030.05(a)(13).
- Page 809 Article 1030.05. Revise the subparagraph “(a) Quality Assurance by the Engineer.” to read “(e) Quality Assurance by the Engineer.”.
- Page 946 Article 1080.03(a)(1). In the third line of the first paragraph revise “(300 µm)” to “(600 µm)”.
- Page 963 Article 1083.02(b). In the second line of the first paragraph revise “ASTM D 4894” to “ASTM D 4895”.
- Page 1076 In the Index of Pay Items delete the pay item “BITUMINOUS SURFACE REMOVAL – BUTT JOINT”.

PAYMENTS TO SUBCONTRACTORS (BDE)

Effective: June 1, 2000

Revised: January 1, 2006

Federal regulations found at 49 CFR §26.29 mandate the Department to establish a contract clause to require Contractors to pay subcontractors for satisfactory performance of their subcontracts and to set the time for such payments.

State law also addresses the timing of payments to be made to subcontractors and material suppliers. Section 7 of the Prompt Payment Act, 30 ILCS 540/7, requires that when a Contractor receives any payment from the Department, the Contractor shall make corresponding, proportional payments to each subcontractor and material supplier performing work or supplying material within 15 calendar days after receipt of the Department payment. Section 7 of the Act further provides that interest in the amount of two percent per month, in addition to the payment due, shall be paid to any subcontractor or material supplier by the Contractor if the payment required by the Act is withheld or delayed without reasonable cause. The Act also provides that the time for payment required and the calculation of any interest due applies to transactions between subcontractors and lower-tier subcontractors and material suppliers throughout the contracting chain.

This Special Provision establishes the required federal contract clause, and adopts the 15 calendar day requirement of the State Prompt Payment Act for purposes of compliance with the federal regulation regarding payments to subcontractors. This contract is subject to the following payment obligations.

When progress payments are made to the Contractor according to Article 109.07 of the Standard Specifications, the Contractor shall make a corresponding payment to each subcontractor and material supplier in proportion to the work satisfactorily completed by each subcontractor and for the material supplied to perform any work of the contract. The

proportionate amount of partial payment due to each subcontractor and material supplier throughout the contracting chain shall be determined by the quantities measured or otherwise determined as eligible for payment by the Department and included in the progress payment to the Contractor. Subcontractors and material suppliers shall be paid by the Contractor within 15 calendar days after the receipt of payment from the Department. The Contractor shall not hold retainage from the subcontractors. These obligations shall also apply to any payments made by subcontractors and material suppliers to their subcontractors and material suppliers; and to all payments made to lower tier subcontractors and material suppliers throughout the contracting chain. Any payment or portion of a payment subject to this provision may only be withheld from the subcontractor or material supplier to whom it is due for reasonable cause.

This Special Provision does not create any rights in favor of any subcontractor or material supplier against the State or authorize any cause of action against the State on account of any payment, nonpayment, delayed payment, or interest claimed by application of the State Prompt Payment Act. The Department will not approve any delay or postponement of the 15 day requirement except for reasonable cause shown after notice and hearing pursuant to Section 7(b) of the State Prompt Payment Act. State law creates other and additional remedies available to any subcontractor or material supplier, regardless of tier, who has not been paid for work properly performed or material furnished. These remedies are a lien against public funds set forth in Section 23(c) of the Mechanics Lien Act, 770 ILCS 60/23(c), and a recovery on the Contractor's payment bond according to the Public Construction Bond Act, 30 ILCS 550.

REFLECTIVE SHEETING ON CHANNELIZING DEVICES (BDE)

Effective: April 1, 2007

Revise the seventh paragraph of Article 1106.02 of the Standard Specifications to read:

“At the time of manufacturing, the retroreflective prismatic sheeting used on channelizing devices shall meet or exceed the initial minimum coefficient of retroreflection as specified in the following table. Measurements shall be conducted according to ASTM E 810, without averaging. Sheeting used on cones, drums and flexible delineators shall be reboundable as tested according to ASTM D 4956. Prestriped sheeting for rigid substrates on barricades shall be white and orange.

Initial Minimum Coefficient of Retroreflection candelas/foot candle/sq ft (candelas/lux/sq m) of material				
Observation Angle (deg.)	Entrance Angle (deg.)	White	Orange	Fluorescent Orange
0.2	-4	365	160	150
0.2	+30	175	80	70
0.5	-4	245	100	95
0.5	+30	100	50	40"

Revise the first sentence of the first paragraph of Article 1106.02(c) of the Standard Specifications to read:

“Barricades and vertical panels shall have alternating white and orange stripes sloping downward at 45 degrees toward the side on which traffic will pass.”

Revise the third sentence of the first paragraph of Article 1106.02(d) of the Standard Specifications to read:

“The bottom panels shall be 8 x 24 in. (200 x 600 mm) with alternating white and orange stripes sloping downward at 45 degrees toward the side on which traffic will pass.”

REINFORCEMENT BARS (BDE)

Effective: November 1, 2005

Revised: January 1, 2007

Revise Article 1006.10(a) of the Standard Specifications to read:

“(a) Reinforcement Bars. Reinforcement bars will be accepted according to the current Bureau of Materials and Physical Research Policy Memorandum, “Reinforcement Bar and Dowel Bar Plant Certification Procedure”. The Department will maintain an approved list of producers.

(1) Reinforcement Bars (Non-Coated). Reinforcement bars shall be according to ASTM A 706 (A 706M), Grade 60 (420) for deformed bars and the following.

a. Chemical Composition. The chemical composition of the bars shall be according to the following table.

CHEMICAL COMPOSITION		
Element ^{1/}	Heat Analysis (% maximum)	Product Analysis (% maximum)
Carbon	0.30	0.33
Manganese	1.50	1.56
Phosphorus	0.035	0.045
Sulfur	0.045	0.055
Silicon	0.50	0.55
Nickel	^{2/}	^{2/}
Chromium	^{2/}	^{2/}
Molybdenum	^{2/}	^{2/}
Copper	^{2/}	^{2/}
Titanium	^{2/}	^{2/}
Vanadium	^{2/}	^{2/}
Columbium	^{2/}	^{2/}
Aluminum	^{2/} , ^{3/}	^{2/} , ^{3/}
Tin ^{4/}	0.040	0.044

Note 1/. The bars shall not contain any traces of radioactive elements.

Note 2/. There is no composition limit but the element must be reported.

Note 3/. If aluminum is not an intentional addition to the steel for deoxidation or killing purposes, residual aluminum content need not be reported.

Note 4/. If producer bar testing indicates an elongation of 15 percent or more and passing of the bend test, the tin composition requirement may be waived.

- b. Heat Numbers. Bundles or bars at the construction site shall be marked or tagged with heat identification numbers of the bar producer.
 - c. Guided Bend Test. Bars may be subject to a guided bend test across two pins which are free to rotate, where the bending force shall be centrally applied with a fixed or rotating pin of a certain diameter as specified in Table 3 of ASTM A 706 (A 706M). The dimensions and clearances of this guided bend test shall be according to ASTM E 190.
 - d. Spiral Reinforcement. Spiral reinforcement shall be deformed or plain bars conforming to the above requirements or cold-drawn steel wire conforming to AASHTO M 32.
- (2) Epoxy Coated Reinforcement Bars. Epoxy coated reinforcement bars shall be according to Article 1006.10(a)(1) and shall be epoxy coated according to AASHTO M 284 (M 284M) and the following.
- a. Certification. The epoxy coating applicator shall be certified under the Concrete Reinforcing Steel Institute's (CRSI) Epoxy Plant Certification Program.
 - b. Coating Thickness. The thickness of the epoxy coating shall be 7 to 12 mils (0.18 to 0.30 mm). When spiral reinforcement is coated after fabrication, the thickness of the epoxy coating shall be 7 to 20 mils (0.18 to 0.50 mm).
 - c. Cutting Reinforcement. Reinforcement bars may be sheared or sawn to length after coating, providing the end damage to the coating does not extend more than 0.5 in. (13 mm) back and the cut is patched before any visible rusting appears. Flame cutting will not be permitted."

SUBCONTRACTOR MOBILIZATION PAYMENTS (BDE)

Effective: April 2, 2005

To account for the preparatory work and operations necessary for the movement of subcontractor personnel, equipment, supplies, and incidentals to the project site and for all other work or operations that must be performed or costs incurred when beginning work approved for subcontracting in accordance with Article 108.01 of the Standard Specifications, the Contractor shall make a mobilization payment to each subcontractor.

This mobilization payment shall be made at least 14 days prior to the subcontractor starting work. The amount paid shall be equal to 3 percent of the amount of the subcontract reported on form BC 260A submitted for the approval of the subcontractor's work.

This provision shall be incorporated directly or by reference into each subcontract approved by the Department.

WORKING DAYS (BDE)

Effective: January 1, 2002

The Contractor shall complete the work within 25 working days.

FIBER OPTIC CABLE IN CONDUIT 62.5/125 MM12F SM12F

This work shall be in accordance with Section 871 and 1076 of the Standard Specifications except as modified herein.

The fiber optic cable shall be a 24-fiber cable that includes 12 multi-mode fibers and 12 single mode fibers.

Other ancillary components, required to complete the fiber optic cable plant, including but not limited to, moisture and water sealants, cable caps, fan-out kits, etc., shall be supplied under this pay item for fiber optic cable and will not be paid for separately.

Revise Section 871.00 of the Standard Specifications to read:

The Contractor will not be required to test each fiber separately with a power source and meter, but shall test all continuous CCTV fiber runs, including both proposed and existing fiber, (from the fiber optic video transmitter to the fiber optic video receiver) as shown on the plan sheets with an OTDR and power source and meter.

Multimode fiber runs in excess of 6561 feet will not be tested with the power source and meter as this length exceeds the limit of certification for multimode fiber.

This work shall consist of furnishing and installing fiber optic cable in conduit with all accessories and connectors according to Section 871 of the Standard Specifications. The cable shall be of the type, size, and the number of fiber specified.

The fiber optic cable shall provide the amount of fibers called for in the FIBER OPTIC CABLE pay item in the contract. Fibers from each cable shall be terminated with approved fusion spliced connectors at the termination points shown on the Plans. Fibers not being used shall be labeled "spare", and fibers not attached to a distribution enclosure shall be capped and sealed. A minimum of five feet (5') of slack cable shall be provided for the cabinet locations, and the cabinet slack cable shall be stored as directed by the Engineer.

Article 815.03(d) calls for cable marking tape to be installed as part of “trench and backfill for electrical work”. This requirement is waived and the following section shall apply:

12 Ga., stranded THHN, insulated orange tracer cable is to be pulled into all conduits that contain fiber optic cable. This work shall be done at the same time the fiber optic cable is pulled. There will be no additional compensation for this work.

The amount of slack cable listed in Article 873.03 shall be revised as follows:

<u>Location</u>	<u>Length of Slack Cable (Ft.)</u>
Gulfbox	3.0
Junction Box	3.0
Handhole	13.0
Double Handhole	30.0
Controller Cabinet	5.0

The fiber optic cable shall be clearly marked in each handhole and cabinet with a brightly colored (orange or yellow) weather resistant marker securely attached to the cable.

Basis of Payment: This work will be paid for at the contract unit price per foot for FIBER OPTIC CABLE IN CONDUIT 62.5/125 12MMF 12SMF and shall be payment in full for all labor, equipment, and materials required to provide, test, and install the fiber optic cable described above, complete.

INDEX OF SHEETS

1. COVER SHEET
2. COMMITMENTS AND NOTES
- 3-4. SUMMARY OF QUANTITIES
- 5-6. SCHEDULE OF QUANTITIES
7. IL 116 & US 24 CCTV DETAILS
8. IL 116 & BLACKJACK CCTV DETAILS
- 9-10. COMMUNICATION (FIBER) LINE DIAGRAMS (EAST PEORIA)
11. US 150 & IL 6 CCTV DETAILS
12. US 150 & ALLEN RD. CCTV DETAILS
13. US 150 & IL 40 CCTV DETAILS
14. US 150 & PROSPECT CCTV DETAILS
15. US 150 & IL 29 CCTV DETAILS
- 16-19. COMMUNICATION (FIBER) LINE DIAGRAMS (PEORIA)
- 20-21. EPPS NODE DETAILS
- 22-23. DRIES LN. NODE DETAILS
- 24-25. IODI NODE DETAILS
26. STEEL LIGHT POLE DETAIL
27. LIGHT POLE FOUNDATION DETAIL

STANDARDS

- 701001-01 US 150 (WAR MEMORIAL DR.) & IL 6
- 701006-02
- 701101-01
- 701106-01 US 150 (WAR MEMORIAL DR.) & ALLEN RD.
- 701421-01
- 701601-04
- 701701-04 US 150 (WAR MEMORIAL DR.)
- 702001-06 & IL 40 (KNOXVILLE AVE.)
- 814001-01
- 878001-05

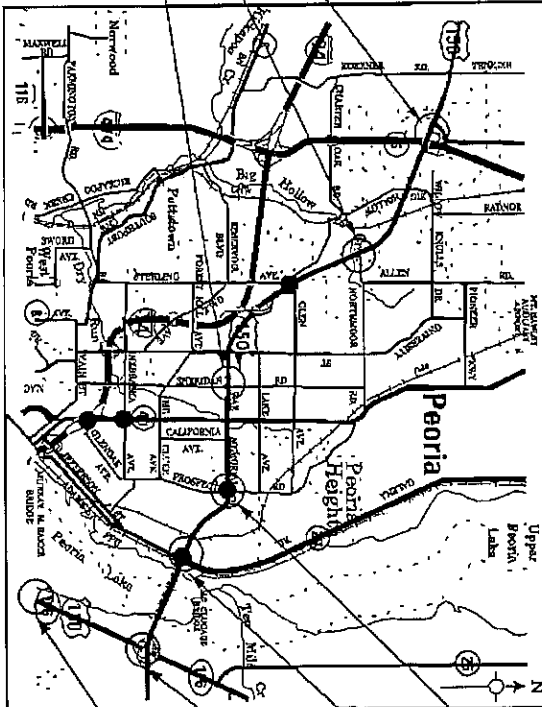
LOCATION OF IMPROVEMENT

PEORIA COUNTY LOCATIONS:
CITY OF PEORIA - INTERSECTIONS OF US 150 (WAR MEMORIAL DR.) WITH IL 6, ALLEN RD., IL 40 (KNOXVILLE AVE.), PROSPECT AVE., AND IL 29 (ADAMS ST.), PEORIA PUBLIC WORKS DEPARTMENT, AND IODI D4 ITS EQUIPMENT ROOM

TAZEWELL COUNTY LOCATIONS:
CITY OF EAST PEORIA - US 24 & IL 116 (MAIN ST.), IL 116 & BLACKJACK, IL 116 & IL 8 (CAMP ST.), AND EAST PEORIA PUBLIC SAFETY BUILDING.

CONTRACT NO. 688694
CATALOG NO. 033469-00D

STATE OF ILLINOIS
DEPARTMENT OF TRANSPORTATION
DIVISION OF HIGHWAYS
FAP 317 (US 24150)
SECTION D4 ITS SYSTEM 2007
PROJECT ITS-0217 (101)
PEORIA-TAZEWELL COUNTIES
C-75-002-03



US 150 (WAR MEMORIAL DR.) & PROSPECT AVE.

US 150 (WAR MEMORIAL DR.) & IL 29 (ADAMS ST.)

IL 116 (MAIN ST.) & US 24

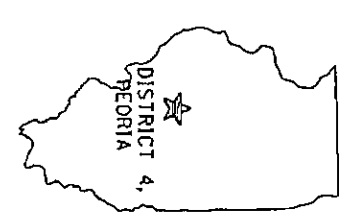
IL 116 (MAIN ST.) & BLACKJACK

JULIE
JOINT UTILITY LOCATION INFORMATION FOR EXCAVATION
1-800-892-0123

STATE OF ILLINOIS
DEPARTMENT OF TRANSPORTATION
DIVISION OF HIGHWAYS
SUBMITTED *[Signature]* 20 07
DEPUTY DIRECTOR OF HIGHWAYS REGION ENGINEER

PRINTED BY THE AUTHORITY OF THE STATE OF ILLINOIS

SHEET 1 OF 27
D-94-023-07



DESCRIPTION OF WORK

THIS PROJECT CONSISTS OF INSTALLING CCTV DOME CAMERAS, ITS EQUIPMENT CABINETS, FIBER OPTIC CABLE, CONDUIT AND HANDHOLES; ONE CAMERA POLE, CONCRETE FOUNDATIONS, FIBER OPTIC VIDEO TRANSMISSION SYSTEMS, VIDEO ENCODERS AND DECODERS, TERMINATING, FUSION SPLICING, AND TESTING OF EXISTING AND PROPOSED FIBER OPTIC CABLE; AND ALL OTHER COLLATERAL WORK REQUIRED TO COMPLETE THE IMPROVEMENTS.

ROUTE	SECTION	COUNTY	SHEET	
MKD.	DESIG.		TOTAL	NO.
FAP 317	US 24	D4 ITS		
FAP 317	US 150	SYSTEM 2007	TAZEWELL	27
				2

CONSTRUCTION NOTES

THE LOCATION OF ALL UTILITIES SHALL BE FIELD VERIFIED BY THE CONTRACTOR BEFORE THE INSTALLATION OF ANY COMPONENTS.

THE EXISTING ITS SYSTEM SHALL REMAIN IN OPERATION DURING THE INSTALLATION OF THE PROPOSED ITS COMPONENTS AND FIBER OPTIC CABLE. ANY MAINTENANCE OF EXISTING EQUIPMENT WILL BE CONSIDERED EXTRA WORK IN ACCORDANCE WITH ART. 109.04 OF THE STANDARD SPECIFICATIONS.

THE LOCATION OF ALL UTILITIES AND PRIVATELY OWNED FACILITIES SHALL BE FIELD VERIFIED BY THE CONTRACTOR PRIOR TO THE INSTALLATION OF ANY COMPONENTS.

THE CONTRACTOR SHALL BE RESPONSIBLE FOR LOCATING ALL EXISTING AND PROPOSED STATE OWNED ITS, TRAFFIC SIGNAL, AND LIGHTING FACILITIES.

THE CONTRACTOR SHALL FURNISH A WARRANTY CERTIFICATE FOR ALL INSTALLED EQUIPMENT THAT INCLUDES THE EQUIPMENT DESCRIPTION, SERIAL NUMBERS, EFFECTIVE DATES, AND THE WARRANTY DETAILS FOR EACH WARRANTY ITEM.

ALL COSTS FOR LABOR, EQUIPMENT, AND MATERIALS REQUIRED TO INTEGRATE THE PROPOSED ITS EQUIPMENT INTO THE EXISTING ITS SYSTEM SHALL BE INCLUDED IN THE BID PRICE FOR THE CONTRACT. THERE WILL BE NO ADDITIONAL COMPENSATION FOR THIS WORK.

PROPOSED HANDHOLES SHALL BE CAST IN PLACE CONCRETE HANDHOLES. THE HANDHOLE SHALL BE CONSTRUCTED SO THAT THE TOP OF THE FRAME IS FLUSH WITH THE SURFACE OF THE MEDIAN, SIDEWALK, OR GROUND LINE.

COLLABLE POLYETHYLENE DUCT MAY BE SUBSTITUTED FOR PVC CONDUIT PUSHED OR TRENCHED.

ALL CONDUITS CONTAINING FIBER SHALL HAVE A 12 GA. STRANDED THHN, INSULATED ORANGE TRACER WIRE PULLED DURING THE FIBER OPTIC CABLE INSTALLATION. THIS WORK SHALL BE DONE AT THE SAME TIME THE FIBER OPTIC CABLE IS PULLED. THIS WORK SHALL BE INCLUDED IN THE PRICE FOR FIBER OPTIC CABLE IN CONDUIT.

THE CONTRACTOR MAY ELECT TO PUSH A CONDUIT THAT IS SHOWN TO BE TRENCHED ON THE PLANS. THIS WORK WILL BE MEASURED FOR PAYMENT AND PAID FOR AS CONDUIT IN TRENCH OF THE TYPE AND SIZE SPECIFIED AND TRENCH AND BACKFILL FOR ELECTRICAL WORK.

ALL SURPLUS MATERIALS SHALL BE DISPOSED OF IN ACCORDANCE WITH ARTICLE 202.03 OF THE STANDARD SPECIFICATIONS.

FIBER OPTIC CABLES SHALL BE TERMINATED AND TESTED IN ACCORDANCE WITH THE PLAN SHEETS AND PROJECT SPECIAL PROVISIONS.

FIBER OPTIC NOTES:

1. ALL TERMINATED FIBERS SHALL USE FACTORY ASSEMBLED ST CONNECTORS (PREASSEMBLED PATCH CORDS) THAT ARE FUSION SPLICED ONTO THE CABLE. THIS WORK WILL BE PAID FOR AS "FIBER OPTIC CONNECTOR, ST, FUSION SPLICED".
2. ALL CONTINUOUS CCTV FIBER LINKS SHALL BE TESTED WITH AN OTDR AND WITH A POWER METER AND SOURCE.
3. OTDR AND POWER METER TESTED FIBERS SHALL BE TESTED BI-DIRECTIONALLY.
4. THE COST FOR ALL FIBER TESTING SHALL BE INCLUDED IN THE BID PRICES FOR THE FIBER OPTIC CABLE PAY ITEMS.
5. A FUSION SPLICE SHALL ENTAIL SPLICING TOGETHER TWO FIBERS FROM TWO DIFFERENT CABLES AND SHALL BE PAID FOR AS "FIBER OPTIC FUSION SPLICE".

COMMITMENTS

NO COMMITMENTS WERE MADE IN CONJUNCTION WITH THIS PROJECT.

COMMITMENTS AND NOTES

ROUTE	SECTION	COUNTY	SHEET
MKD. DESIG.	D4 ITS SYSTEM 2007	PEORIA COUNTY	TOTAL NO.
FAP 317 US 24		PEORIA COUNTY	27
FAP 317 US 150		TAZEWELL COUNTY	3

SUMMARY OF QUANTITIES

CODE NUMBER	ITEM DESCRIPTION	UNIT	TOTAL QTY	PEORIA COUNTY CONST.		TAZEWELL COUNTY CONST.	
				TYPE CODE	50% FED, 50% STATE URBAN CITY OF PEORIA	TYPE CODE	50% FED, 50% STATE URBAN CITY OF E. PEORIA
67100100	MOBILIZATION	L SUM	1		0.7		0.3
70100310	TRAFFIC CONTROL AND PROTECTION, STANDARD 701421	L SUM	1				1
70102630	TRAFFIC CONTROL AND PROTECTION, STANDARD 701601	L SUM	1		1		
70102635	TRAFFIC CONTROL AND PROTECTION, STANDARD 701701	L SUM	1		0.7		0.3
81012500	CONDUIT IN TRENCH, 1 1/2" DIA., PVC	FOOT	158		158		
81012600	CONDUIT IN TRENCH, 2" DIA., PVC	FOOT	105		105		
81400105	HANDHOLE(SPECIAL)	EACH	1				1
81702120	ELECTRIC CABLE IN CONDUIT, 600V (XLP-TYPE USE) 1/C NO. 8	FOOT	3294		2694.5		599.5
81900200	TRENCH AND BACKFILL FOR ELECTRICAL WORK	FOOT	105		105		
81900205	TRENCH AND BACKFILL FOR ELECTRICAL WORK, SPECIAL	FOOT	158		158		
86300405	CONTROLLER CABINET, TYPE IV, SPECIAL	EACH	1		1		
87800200	CONCRETE FOUNDATION, TYPE D	FOOT	3.5		3.5		
87800415	CONCRETE FOUNDATION, TYPE E 36-INCH DIAMETER	FOOT	15		15		
87900100	DRILL EXISTING CONCRETE FOUNDATION	EACH	1		1		
87900200	DRILL EXISTING HANDHOLE	EACH	3		3		
X0323524	REMOVE EXISTING SURVEILLANCE CAMERA EQUIPMENT	EACH	2		1		1

SUMMARY OF QUANTITIES

ROUTE	SECTION	COUNTY	SHEET
MKD. DESIG.	D4 ITS	PEORIA	TOTAL
FAP 317US 24	SYSTEM 2007	TAZEWELL	NO.
FAP 317US 150			27
			4

SUMMARY OF QUANTITIES

CODE NUMBER	ITEM DESCRIPTION	UNIT	TOTAL QTY	PEORIA COUNTY		TAZEWELL COUNTY	
				CONST.	TYPE CODE ITS Y035	CONST.	TYPE CODE ITS Y035
X0323898	CLOSED CIRCUIT TELEVISION DOME CAMERA	EACH	7	5		2	
X0323904	ILLINOIS DEPARTMENT OF TRANSPORTATION COMMUNICATIONS NODE	L SUM	1	1			
X0323906	CAMERA POLE, 45 FT	EACH	1	1			
X0323912	EAST PEORIA PUBLIC SAFETY BUILDING NODE	L SUM	1			1	
X0323913	FIBER OPTIC LINK (CLOSED CIRCUIT TELEVISION)	EACH	7	5		2	
X0323921	POLE MOUNTED EQUIPMENT CABINET, TYPE C	EACH	3	2		1	
X8710020	FIBER OPTIC CABLE IN CONDUIT, 62.5/125, MM12F SM12F	FOOT	3825			3825	
X8710028	FIBER OPTIC CABLE 6 FIBER SINGLE MODE	FOOT	1904	1717		187	
X8710071	FIBER OPTIC FUSION SPLICE	EACH	41	25		16	
XX003940	20 AMP, 1-POLE CIRCUIT BREAKER	EACH	4	3		1	
X0325717	PEORIA PUBLIC WORKS DRIES LANE NODE	L SUM	1	1			
X0325718	FIBER OPTIC CONNECTOR, ST, FUSION SPLICED	EACH	20	10		10	
X0325719	FIBER OPTIC LINK (CLOSED CIRCUIT TELEVISION) MULTI-MODE	EACH	1			1	
X0325720	POLE MOUNTED EQUIPMENT CABINET, TYPE C, INSTALL ONLY	EACH	1			1	
X0325721	CGTV LOCAL CONTROL PANEL	EACH	4	3		1	

REVISSED
4/2/07

SUMMARY OF QUANTITIES
(CONTINUED)

ROUTE	DESIG.	SECTION	COUNTY	SHEET
MKD.	FAP 317	D4 ITS	PEORIA	TOTAL
	US 24	SYSTEM 2007	TAZEWELL	27
	FAP 317 US 150			5

SCHEDULE OF QUANTITIES

ITEM DESCRIPTION	UNIT	TOTAL QTY	PEORIA COUNTY						TAZEWELL COUNTY		
			US 150 & IL 6 PEORIA	US 150 & ALLEN PEORIA	US 150 & IL 40 PEORIA	US 150 & PROSP PEORIA	US 150 & IL 29 PEORIA	DRIES LN NODE PEORIA	IDOT NODE PEORIA	IL 116 & US 24 EAST PEORIA	IL 116 & BLK/LAK EAST PEORIA
MOBILIZATION	L SUM	1	0.1	0.1	0.1	0.1	0.1	0.1	0.1	0.1	0.1
TRAFFIC CONTROL AND PROTECTION, STANDARD 701421	L SUM	1							1		
TRAFFIC CONTROL AND PROTECTION, STANDARD 701601	L SUM	1	1								
TRAFFIC CONTROL & PROTECTION STANDARD 701701	L SUM	1		0.3	0.2	0.2				0.3	
CONDUIT IN TRENCH, 1 1/2" DIA, PVC	FOOT	158					158				
CONDUIT IN TRENCH, 2" DIA, PVC	FOOT	105	80		25						
HANDHOLE, SPECIAL	EACH	1							1		
ELECTRIC CABLE IN CONDUIT, 600V (XLP-TYPE USE) 1/4" NO. 8	FOOT	3294	1963.5		127.5	673.5				529.5	
TRENCH AND BACKFILL FOR ELECTRICAL WORK	FOOT	105	80		25						
TRENCH AND BACKFILL FOR ELECTRICAL WORK, SPECIAL	FOOT	158					158				
CONTROLLER CABINET TYPE IV, SPECIAL	EACH	1			1						
CONCRETE FOUNDATION, TYPE D	FOOT	3.5			3.5						
CONCRETE FOUNDATION, TYPE E 36 INCH DIAMETER	FOOT	15	15								
DRILL EXISTING CONCRETE FOUNDATION	EACH	1					1				
DRILL EXISTING HANDHOLE	EACH	3	1		1		1				
REMOVE EXISTING SURVEILLANCE CAMERA EQUIPMENT	EACH	2					1		1		

SCHEDULE OF QUANTITIES

ROUTE	SECTION	COUNTY	SHEET
MKD. DESIG.	D4 ITS	PEORIA	TOTAL
FAP 317 US 24	SYSTEM 2007	TAZEWELL	NO.
FAP 317 US 150			27
			6

SCHEDULE OF QUANTITIES

ITEM DESCRIPTION	UNIT	TOTAL QTY	PEORIA COUNTY					TAZEWELL COUNTY			
			US 150 & IL 6 PEORIA	US 150 & ALLEN PEORIA	US 150 & IL 40 PEORIA	US 150 & PROSP PEORIA	US 150 & IL 29 PEORIA	DRIES LN NODE PEORIA	IDOT NODE PEORIA	IL 116 & US 24 EAST PEORIA	IL 116 & BLKJAK EAST PEORIA
CLOSED CIRCUIT TELEVISION DOME CAMERA	EACH	7	1	1	1	1	1		1	1	
ILLINOIS DEPARTMENT OF TRANSPORTATION COMMUNICATIONS NODE	L SUM	1								1	
CAMERA POLE, 45 FT	EACH	1	1								
EAST PEORIA PUBLIC SAFETY BUILDING NODE	L SUM	1									1
FIBER OPTIC LINK (CLOSED CIRCUIT TELEVISION)	EACH	7	0.5	0.5	0.5	0.5	0.5	2.5		1	1
POLE MOUNTED EQUIPMENT CABINET, TYPE C	EACH	3	1			1					1
FIBER OPTIC CABLE IN CONDUIT, 62.5/125, MM12F SM12F ** (INSTALLED AT IL 116 (MAIN ST.) & IL 8 (CAMP ST.))	FOOT	178.5								178.5	204**
FIBER OPTIC CABLE 6 FIBER, SINGLE MODE	FOOT	1903.5	645.5		56	244	771			9	187
FIBER OPTIC FUSION SPLICE	EACH	41	8	3	2	3	4	5		5	2
20 AMP, 1-POLE CIRCUIT BREAKER	EACH	4	1	1	1	1				1	
PEORIA PUBLIC WORKS DRIES LANE NODE	L SUM	1									1
FIBER OPTIC CONNECTOR, ST. FUSION SPLICED	EACH	20	2	2	2	2	2			4	2
FIBER OPTIC LINK (CLOSED CIRCUIT TELEVISION), MM	EACH	1								0.5	0.5
POLE MOUNTED EQUIP CAB, TYPE C INSTALL ONLY	EACH	1								1	
CGTY LOCAL CONTROL PANEL	EACH	4	1	1	1	1	1			1	

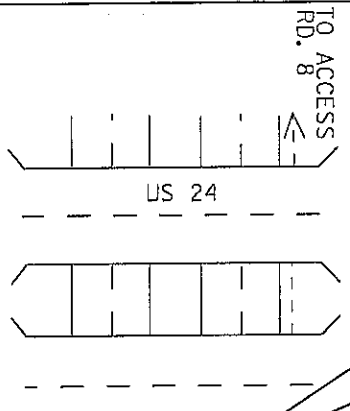
REVISED
4/2/07

SCHEDULE OF QUANTITIES
(CONTINUED)

EXISTING CCTV POWER CABLE TO BE RE-USED IN PROPOSED INSTALLATION

INSTALL PROPOSED HANDHOLE AT INTERSECTION OF EXISTING CONDUITS
 FUSION SPLICE ONE PROPOSED MULTI-MODE FIBER TO ONE EXISTING MULTI-MODE FIBER IN PROPOSED TRAFFIC SIGNAL HANDHOLE.

POLE MID EQUIP CAB, TY C 10
 1.0 EACH
 CCTV LOCAL CONT PANEL
 1.0 EACH



TO ACCESS
 RD. 8



ROUTE	SECTION	COUNTY	SHEET
MKD. DESIG.			TOTAL NO.
FAP 317 US 24	D4 ITS	PEORIA	27
FAP 317 US 150	SYSTEM 2007	TAZEWELL	7

ITEM DESCRIPTION	UNIT	QUANTITY
HANDHOLE, SPECIAL	EACH	1.0
CLOSED CIRCUIT TELEVISION DOME CAMERA	EACH	1.0
FIBER OPTIC LINK (CLOSED CIRCUIT TELEVISION), MM	EACH	0.5
REMOVE EXISTING SURVEILLANCE CAMERA EQUIPMENT	EACH	1.0
POLE MOUNTED EQUIPMENT CABINET, TYPE C, INSTALL ONLY	EACH	1.0
FIBER OPTIC CABLE IN CONDUIT, 24 FIBER, 12MM, 12SM	FOOT	178.5
CCTV LOCAL CONTROL PANEL	EACH	1.0

THE ENGINEER SHALL APPROVE CAMERA LOCATION AND ORIENTATION PRIOR TO INSTALLATION.

CONC HANDHOLE, SPL
 1.0 EACH

EX. 2" PVC CONDUIT
 164.0 FT

IL 116 (MAIN ST.)

CCTV DOME CAMERA
 1.0 EACH
 FIBER OPTIC LINK (CCTV), MM
 0.5 EACH

TERMINATE ONE MM FIBER IN CABINET (FUSION SPLICE ST CONNECTORS TO FIBER)

REMOVE EXISTING SURVEILLANCE CAMERA EQUIPMENT - QTY. 1.0 EACH (INCLUDES ALL ITEMS LISTED BELOW)

- THE FOLLOWING EQUIPMENT SHALL BE REMOVED AND DELIVERED BY THE CONTRACTOR TO THE IDOT TRAFFIC BUILDING, 5826 N. KNOXVILLE AVE., PEORIA, IL.
 - JUNCTION BOXES (ON CCTV POLE) - 2.0 EACH
 - CCTV CAMERA - 1.0 EACH
 - ANTENNA ASSEMBLY COMPLETE - 1.0 EACH
- THE FOLLOWING ITEMS SHALL BE REMOVED AND DISPOSED OF BY THE CONTRACTOR OFF THE RIGHT-OF-WAY. THE SALVAGE VALUE OF THIS EQUIPMENT SHALL BE REFLECTED IN THE UNIT BID PRICE.
 - ELECTRICAL CABLES (NOT USED IN FINAL INSTALLATION) - ALL

TO ACCESS
 RD. 7

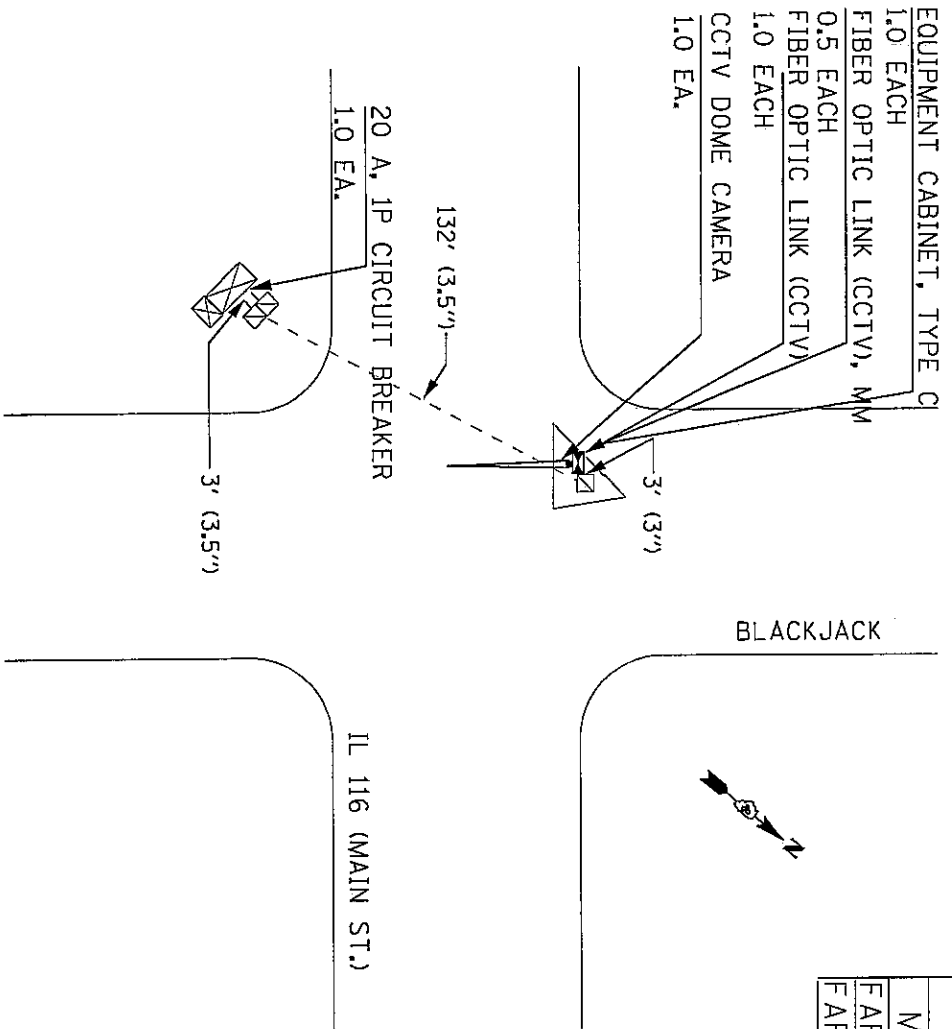
LEGEND

- ☐ EX. SERVICE INSTALLATION
- ☒ EX. CCTV CABINET
- ☒ EX. CONCRETE HANDHOLE
- EX. CCTV POLE (55')
- EX. CONDUIT
- PROP. CONCRETE HANDHOLE

NOT TO SCALE

CCTV DETAILS
 IL 116 & US 24
 EAST PEORIA
 TAZEWELL COUNTY

ROUTE		SECTION	COUNTY	SHEET	
MKD.	DESIG.			TOTAL	NO.
FAP 317	US 24	D4 ITS	PEORIA	27	8
FAP 317	US 150	SYSTEM 2007	TAZEWELL		



ITEM DESCRIPTION	UNIT	QUANTITY
CLOSED CIRCUIT TELEVISION DOME CAMERA	EACH	1.0
FIBER OPTIC LINK (CLOSED CIRCUIT TELEVISION)	EACH	1.0
FIBER OPTIC LINK (CLOSED CIRCUIT TELEVISION), MM	EACH	0.5
ELECTRIC CABLE IN CONDUIT, 600V (XLP-TYPE USE) 1/C NO. 8	FOOT	529.5
FIBER OPTIC CABLE IN CONDUIT, 6 FIBER, SINGLE MODE	FOOT	187.0
20 AMP, 1-POLE CIRCUIT BREAKER	EACH	1.0
POLE MOUNTED EQUIPMENT CABINET, TYPE C	EACH	1.0

THE ENGINEER SHALL APPROVE CAMERA ORIENTATION PRIOR TO INSTALLATION.

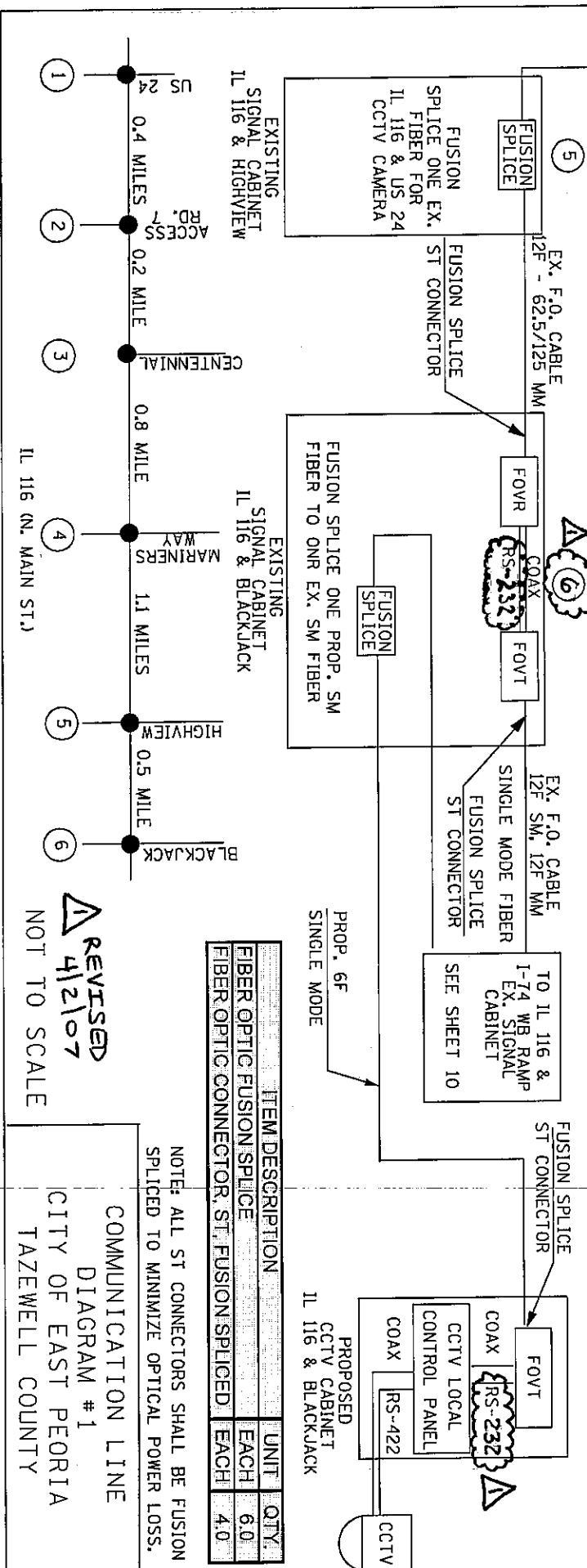
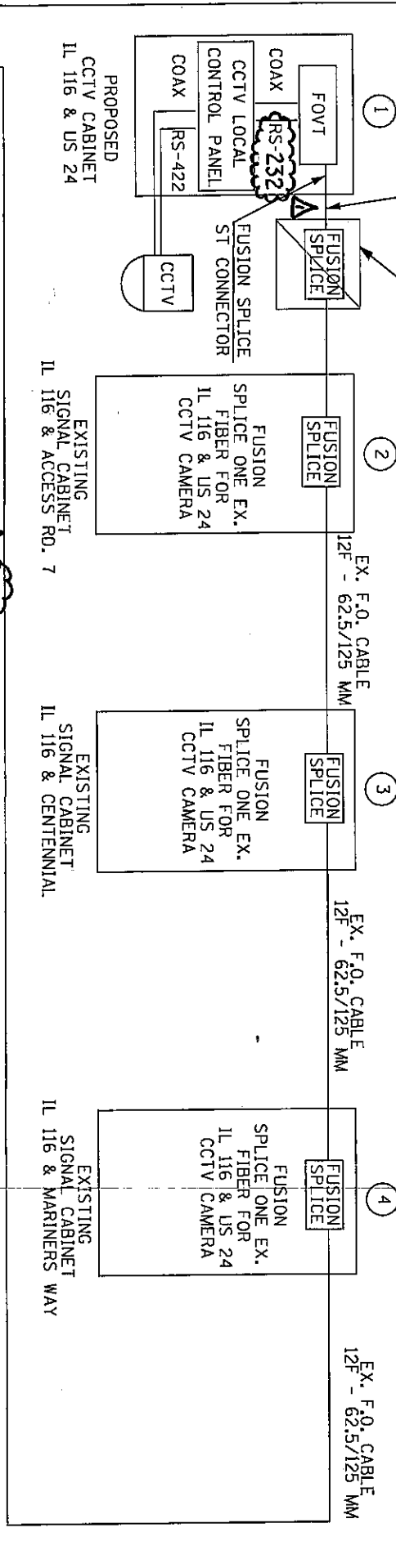
CCTV CAMERA SHALL BE MOUNTED ON A 2-3 FT. ARM. THE COST OF THE MOUNTING BRACKET AND HARDWARE SHALL BE INCLUDED IN THE COST OF THE CAMERA.

CCTV CAMERA AND EQUIPMENT CABINET TO BE MOUNTED ON EXISTING MAST ARM STRAIN POLE. THREE 1/C #8 CABLES TO BE INSTALLED FROM EXISTING TRAFFIC SIGNAL CONTROLLER CABINET TO PROPOSED ITS CABINET.

NOT TO SCALE

CCTV DETAILS
 IL 116 (MAIN) & BLACKJACK
 EAST PEORIA
 TAZEWELL COUNTY

ROUTE	DESIG.	SECTION	COUNTY	SHEET
MKD.	FAP 317 US 24	D4 ITS	PEORIA	TOTAL
FAP 317 US 150	SYSTEM 2007	TAZEWELL	27	9

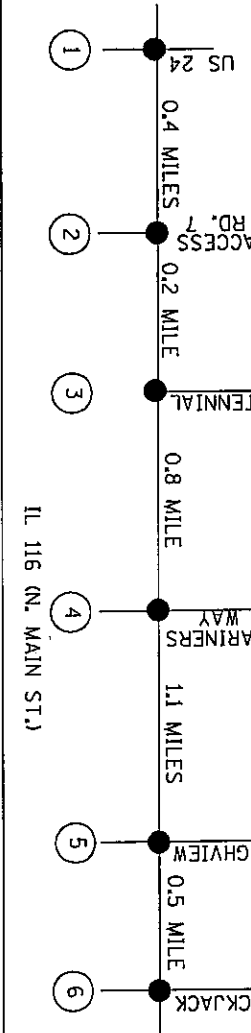


ITEM DESCRIPTION	UNIT	QTY.
FIBER OPTIC FUSION SPLICE	EACH	6.0
FIBER OPTIC CONNECTOR, ST. FUSION SPLICED	EACH	4.0

NOTE: ALL ST CONNECTORS SHALL BE FUSION SPLICED TO MINIMIZE OPTICAL POWER LOSS.

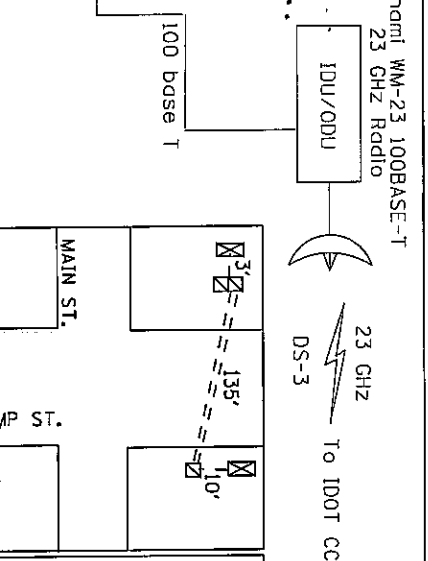
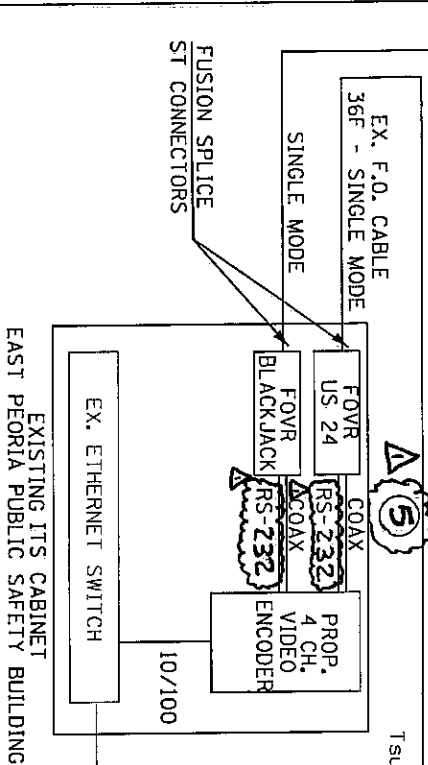
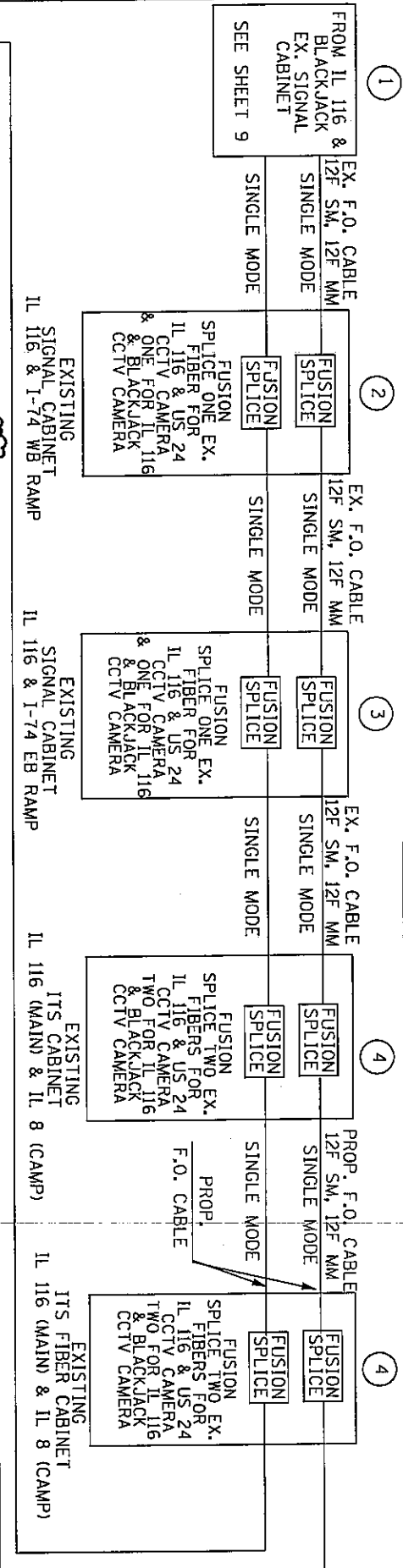
REVISED
4/21/07
NOT TO SCALE

COMMUNICATION LINE
DIAGRAM # 1
CITY OF EAST PEORIA
TAZEWELL COUNTY



ITEM DESCRIPTION	UNIT	QTY.
FIBER OPTIC FUSION SPLICE	EACH	10.0
FIBER OPTIC CONNECTOR ST FUSION SPLICED	EACH	6.0
FIBER OPTIC CABLE IN CONDUIT 62.5/125 MM/12F SM12F	FOOT	204.0

ROUTE	DESIG.	SECTION	COUNTY	SHEET
MKD.				
FAP 317	US 24	D4 ITS	PEORIA	TOTAL
FAP 317	US 150	SYSTEM 2007	TAZEWELL	NO.
				27
				10



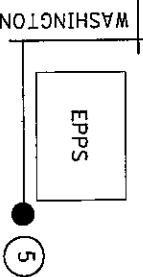
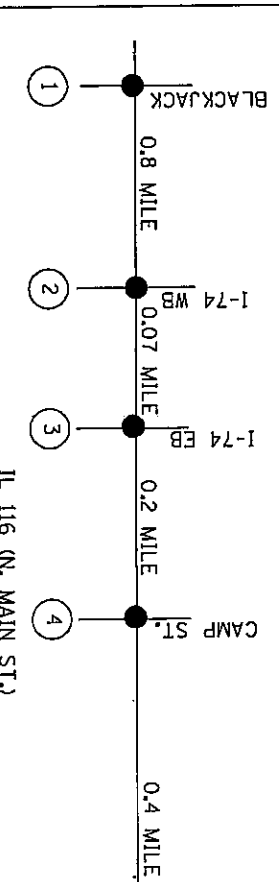
INSTALL 12MM 12SM FIBER FROM MAIN & CAMP SIGNAL CABINET TO ITS FIBER CABINET. FUSION SPLICE TWO SINGLE MODE ITS FIBERS (36SM) TO TWO SINGLE MODE INTERCONNECT FIBERS (12 MM 12 SM FROM CAMP AND WASHINGTON) IN ITS FIBER CABINET AND FUSION SPLICE TWO ST CONNECTORS TO THESE FIBERS IN CAMP & WASHINGTON SIGNAL CABINET AND TWO CONNECTORS IN ITS EQUIPMENT CABINET LOCATED AT EAST PEORIA PUBLIC SAFETY BUILDING. TO CREATE A DIRECT FIBER LINK FROM EAST PEORIA PUBLIC SAFETY TO CAMP & WASHINGTON

NOTE: ALL ST CONNECTORS SHALL BE FUSION SPLICED TO MINIMIZE OPTICAL POWER LOSS.

REVISED 4/12/07

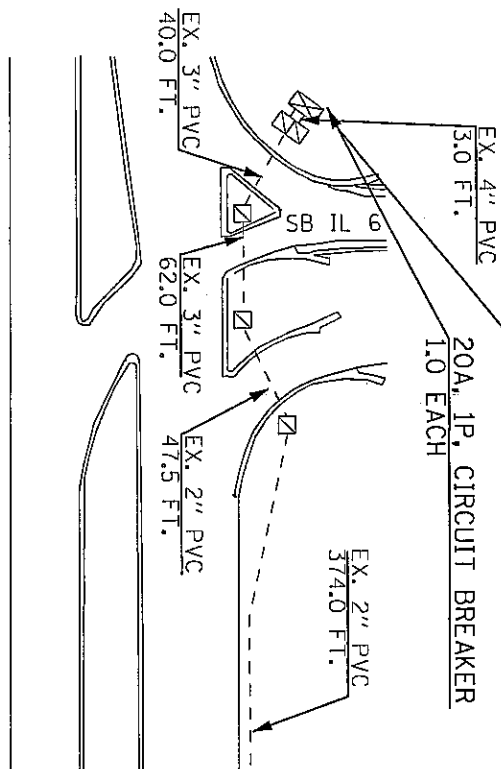
NOT TO SCALE

COMMUNICATION LINE
DIAGRAM #2
CITY OF EAST PEORIA
TAZEWELL COUNTY



THE ENGINEER SHALL APPROVE CAMERA POLE AND FOUNDATION LOCATION AS WELL AS CAMERA ORIENTATION PRIOR TO INSTALLATION.

FUSION SPLICE ONE PROPOSED SINGLE MODE FIBER TO ONE EXISTING SINGLE MODE FIBER IN EXISTING TRAFFIC SIGNAL CABINET



ROUTE		SECTION	COUNTY	SHEET
MKD.	DESIG.			TOTAL NO.
FAP 317	US 24	D4 ITS	PEORIA	27
FAP 317	US 150	SYSTEM 2007	TAZEWELL	11

CCTV DOME CAMERA
 1.0 EACH
 POLE MT EQUIP CAB TY C.
 1.0 EACH
 FIBER OPIC LINK (CCTV)
 0.5 EACH
 CON T 2" PVC
 80.0 FT
 TR & BKF FOR ELEC WK
 80.0 FT
 DRILL EX. HH
 1.0 EACH

TERMINATE ONE SM FIBER IN CABINET (FUSION SPLICE ST CONNECTOR TO FIBER)

US 150 (WAR MEMORIAL DR.)
 INSTALL CAMERA POLE
 BEHIND EXISTING GUARDRAIL

CONC FDN, TY E36D
 15.0 FEET
 CAMERA POLE, 45 FT.
 1.0 EACH

ITEM DESCRIPTION	UNIT	QUANTITY
CLOSED CIRCUIT TELEVISION DOME CAMERA	EACH	1.0
FIBER OPTIC LINK (CLOSED CIRCUIT TELEVISION)	EACH	0.5
DRILL EXISTING HANDHOLE	EACH	1.0
CONDUIT IN TRENCH, 2" DIA., PVC	FOOT	80.0
TRENCH AND BACKFILL FOR ELECTRICAL WORK	FOOT	80.0
ELECTRIC CABLE IN CONDUIT, 600V (XLP-TYPE USE) 1/2" NO. 8	FOOT	1963.5
FIBER OPTIC CABLE IN CONDUIT, 6 FIBER, SINGLE MODE	FOOT	654.5
20 AMP, 1-POLE CIRCUIT BREAKER	EACH	1.0
CONCRETE FOUNDATION TYPE E36 INCH DIAMETER	FOOT	15.0
CCTV CAMERA POLE, 45 FT.	EACH	1.0
POLE MOUNTED EQUIPMENT CABINET, TYPE C	EACH	1.0

REVISED
 4/2/07

LEGEND

- ☒ EX. CONCRETE HANDHOLE
- EX. CONDUIT
- ☒ PROP. CCTV CABINET
- PROP. CCTV POLE (45')
- PROP. PVC CONDUIT
- NOT TO SCALE

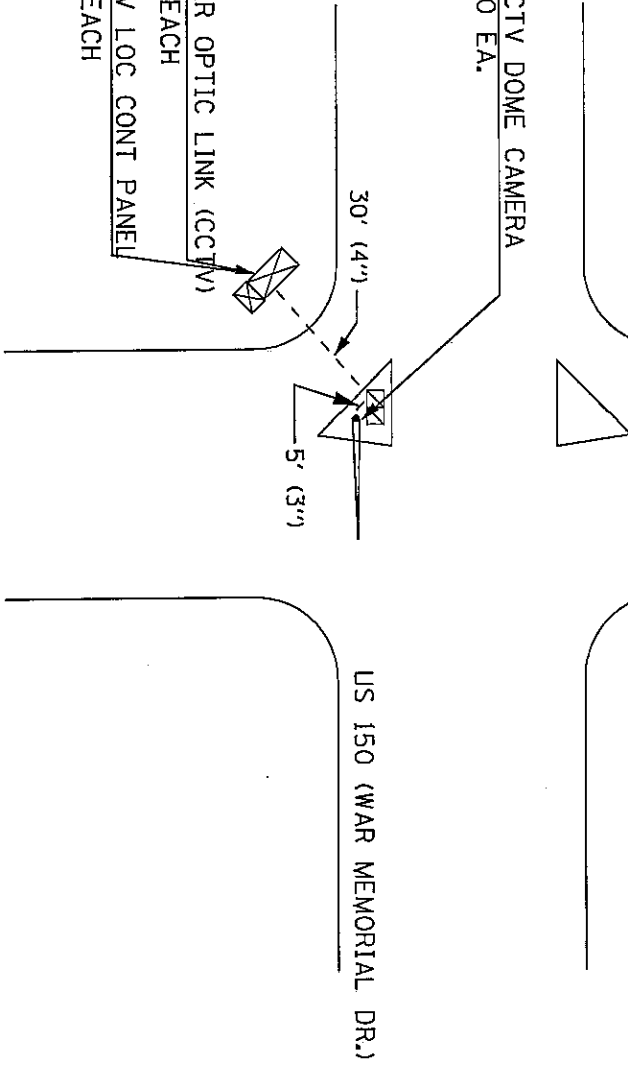
CCTV DETAILS
 US 150 & IL 6
 PEORIA
 PEORIA COUNTY

ROUTE		SECTION	COUNTY	SHEET	
MKD.	DESIG.			TOTAL	NO.
FAP 317	US 24	D4 ITS SYSTEM 2007	PEORIA TAZEWELL	27	12
FAP 317	US 150				

ALLEN RD.

CCTV DOME CAMERA
1.0 EA.

FIBER OPTIC LINK (CCTV)
0.5 EACH
CCTV LOC CONT PANEL
1.0 EACH



THE ENGINEER SHALL APPROVE CAMERA ORIENTATION PRIOR TO INSTALLATION.

CCTV CAMERA SHALL BE MOUNTED ON A 2'-3 FT. ARM. THE COST OF THE MOUNTING BRACKET AND HARDWARE SHALL BE INCLUDED IN THE COST OF THE CAMERA.

CCTV CAMERA AND EQUIPMENT CABINET TO BE MOUNTED ON EXISTING MAST ARM STRAIN POLE.

⚠ CCTV FIBER OPTIC LINK MODEM AND LOCAL CONTROL PANEL WILL BE INSTALLED INSIDE EXISTING TYPE S TRAFFIC SIGNAL CABINET

ITEM DESCRIPTION	UNIT	QUANTITY
CLOSED CIRCUIT TELEVISION DOME CAMERA	EACH	1.0
FIBER OPTIC LINK (CLOSED CIRCUIT TELEVISION)	EACH	0.5
CCTV LOCAL CONTROL PANEL	EACH	1.0

⚠ REVISED 4/2/07

NOT TO SCALE

CCTV DETAILS
US 150 & ALLEN RD.
PEORIA
PEORIA COUNTY

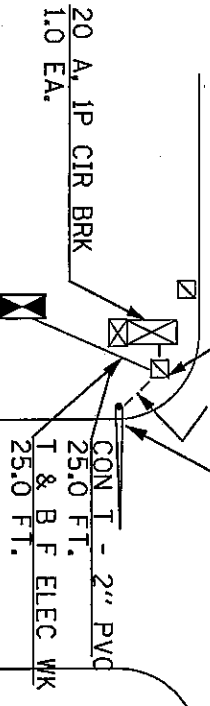
ROUTE	DESIG.	SECTION	COUNTY	SHEET	
MKD.	US 24	D4 ITS	PEORIA	TOTAL	NO.
FAP 317	US 150	SYSTEM 2007	TAZEWELL	27	13

IL 40 (KNOXVILLE)



DRILL EX. HH
1.0 EA.
12' (2")
CCTV DOME CAMERA
1.0 EA.

US 150 (WAR MEMORIAL DR.)



THE ENGINEER SHALL APPROVE CAMERA ORIENTATION AND CONTROLLER CABINET LOCATION PRIOR TO INSTALLATION.

CCTV CAMERA SHALL BE MOUNTED ON A 2-3 FT. ARM. THE COST OF THE MOUNTING BRACKET AND HARDWARE SHALL BE INCLUDED IN THE COST OF THE CAMERA.

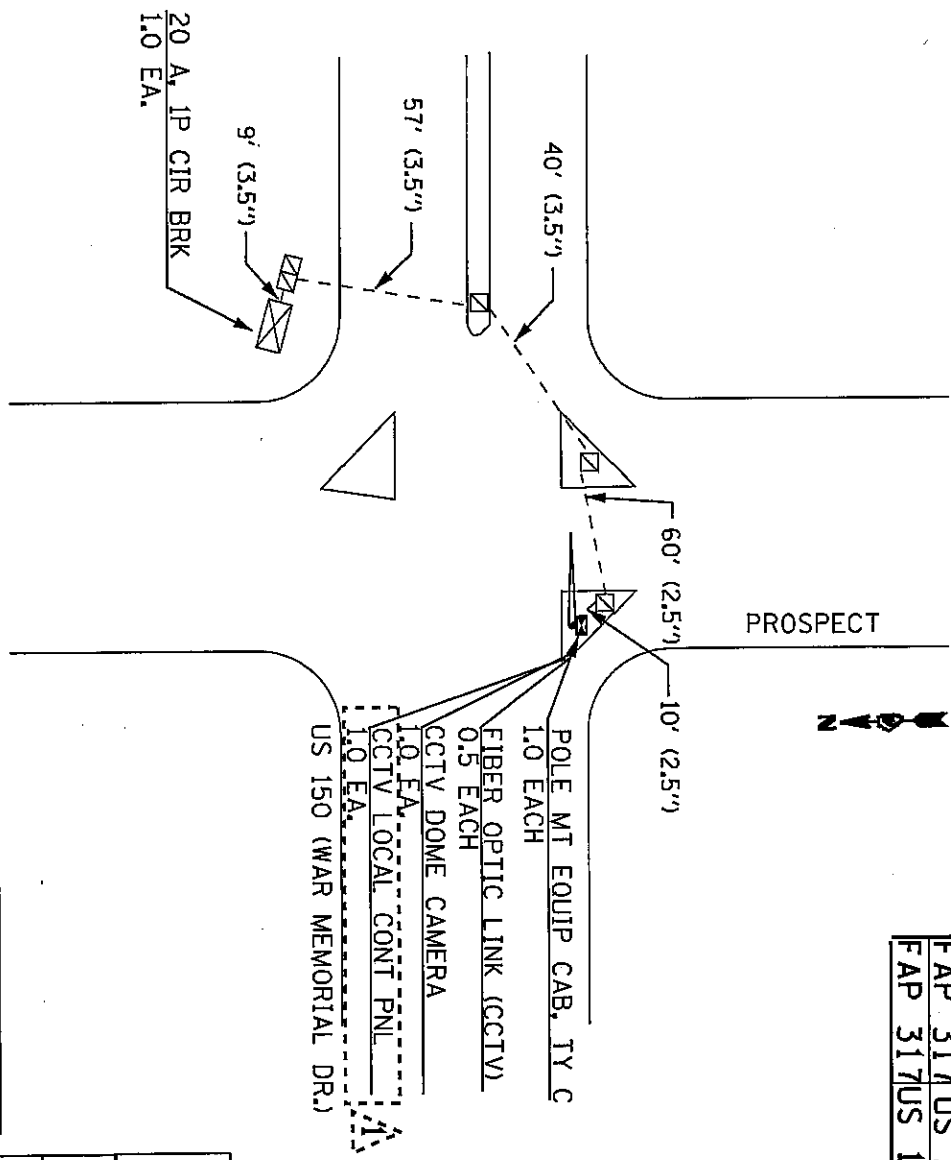
CCTV CAMERA AND EQUIPMENT CABINET TO BE MOUNTED ON EXISTING MAST ARM STRAIN POLE. THREE 1/8 #8 CABLES TO BE INSTALLED FROM EXISTING TRAFFIC SIGNAL CONTROLLER CABINET TO PROPOSED ITS CABINET.

ITEM DESCRIPTION	UNIT	QUANTITY
CLOSED CIRCUIT TELEVISION DOME CAMERA	EACH	1.0
FIBER OPTIC LINK (CLOSED CIRCUIT TELEVISION)	EACH	0.5
DRILL EXISTING HANDHOLE	EACH	1.0
CONDUIT IN TRENCH, 2" DIA., PVC	FOOT	25.0
TRENCH AND BACKFILL FOR ELECTRICAL WORK	FOOT	25.0
ELECTRIC CABLE IN CONDUIT, 600V (XLP-TYPE USE), 1/C NO. 8	FOOT	127.5
FIBER OPTIC CABLE IN CONDUIT, 6 FIBER, SINGLE MODE	FOOT	56.0
20 AMP, 1-POLE CIRCUIT BREAKER	EACH	1.0
CONCRETE FOUNDATION, TYPE D	FOOT	3.5
CCTV LOCAL CONTROL PANEL	EACH	1.0
CONTROLLER CABINET, TYPE IV, SPECIAL	EACH	1.0

REVISSED
4/2/07
NOT TO SCALE

CCTV DETAILS
US 150 & IL 40
PEORIA
PEORIA COUNTY

ROUTE		SECTION	COUNTY	SHEET	
MKD.	DESIG.			TOTAL	NO.
FAP 317	US 24	D4 ITS	PEORIA	27	14
FAP 317	US 150	SYSTEM 2007	TAZEWELL		



ITEM DESCRIPTION	UNIT	QUANTITY
CLOSED CIRCUIT TELEVISION DOME CAMERA	EACH	1.0
FIBER OPTIC LINK (CLOSED CIRCUIT TELEVISION)	EACH	0.5
ELECTRIC CABLE IN CONDUIT, 600V (XLP-TYPE USE) 1/C NO. 8	FOOT	673.5
FIBER OPTIC CABLE IN CONDUIT, 6 FIBER, SINGLE MODE	FOOT	244.0
20 AMP 1-POLE CIRCUIT BREAKER	EACH	1.0
CCTV LOCAL CONTROL PANEL	EACH	1.0
POLE MOUNTED EQUIPMENT CABINET, TYPE C	EACH	1.0

THE ENGINEER SHALL APPROVE CAMERA ORIENTATION PRIOR TO INSTALLATION.

CCTV CAMERA SHALL BE MOUNTED ON A 2-3 FT. ARM. THE COST OF THE MOUNTING BRACKET AND HARDWARE SHALL BE INCLUDED IN THE COST OF THE CAMERA.

CCTV CAMERA AND EQUIPMENT CABINET TO BE MOUNTED ON EXISTING MAST ARM STRAIN POLE. THREE 1/C #8 CABLES TO BE INSTALLED FROM EXISTING TRAFFIC SIGNAL CONTROLLER CABINET TO PROPOSED ITS CABINET.

REVISED
4/2/07

CCTV DETAILS
US 150 & PROSPECT
PEORIA
PEORIA COUNTY

NOT TO SCALE

TERMINATE ONE SM FIBER IN CABINET (FUSION SPLICE ST CONNECTOR TO FIBER)

FIBER OPTIC LINK (CCTV)
0.5 EACH

DRILL EX. CONC FDN
1.0 EACH

DRILL EX. HH
1.0 EACH

15' FT

CCTV DOME CAMERA
1.0 EACH
CON T 1 1/2" PVC
158.0 FT
TR & BKF FOR ELEC WK, SPL
158.0 FT

ROUTE	DESIG.	SECTION	COUNTY	SHEET TOTAL	SHEET NO.
MKD.	FAP 317 US 24	D4 ITS	PEORIA	27	15
FAP 317 US 150		SYSTEM 2007	TAZEWELL		

ITEM DESCRIPTION	UNIT	QUANTITY
CLOSED CIRCUIT TELEVISION DOME CAMERA	EACH	1.0
FIBER OPTIC LINK (CLOSED CIRCUIT TELEVISION)	EACH	0.5
DRILL EXISTING HANDHOLE	EACH	1.0
DRILL EXISTING CONCRETE FOUNDATION	EACH	1.0
REMOVE EXISTING SURVEILLANCE CAMERA EQUIPMENT	EACH	1.0
CONDUIT IN TRENCH, 1 1/2" DIA., PVC	FOOT	158.0
TRENCH AND BACKFILL FOR ELECTRICAL WORK, SPECIAL	FOOT	158.0
FIBER OPTIC CABLE IN CONDUIT, 6 FIBER, SINGLE MODE	FOOT	771.0

THE ENGINEER SHALL APPROVE CAMERA ORIENTATION PRIOR TO INSTALLATION.

US 150 (WAR MEMORIAL DR.)

IL 29 (ADAMS ST.)

EX. 2" PVC
393.0 FT.

IL 29 (ADAMS ST.)

EX. 2 1/2" PVC
68.0 FT.
EX. 5" PVC
86.0 FT.
EX. 5" PVC
3.0 FT.
EX. 2 1/2" PVC
37.0 FT.

FUSION SPLICE ONE PROPOSED SINGLE MODE FIBERS TO ONE EXISTING SINGLE MODE FIBER IN EXISTING TRAFFIC SIGNAL CABINET

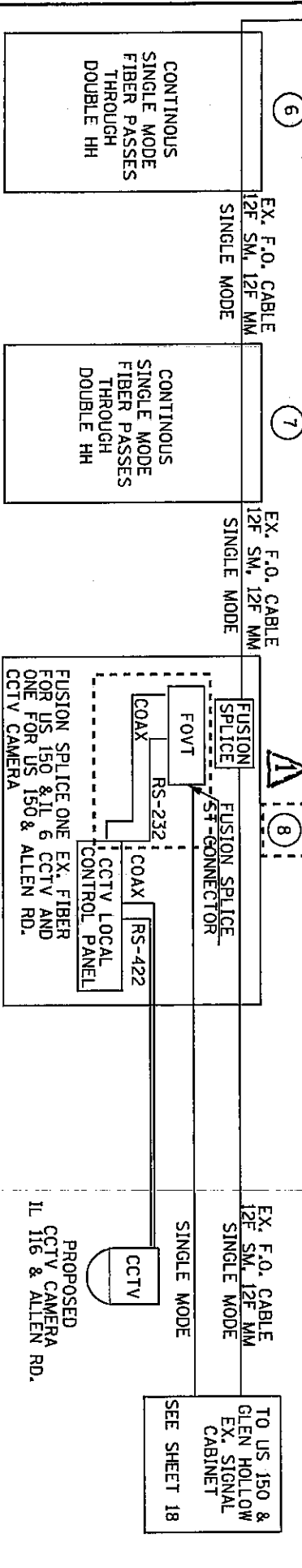
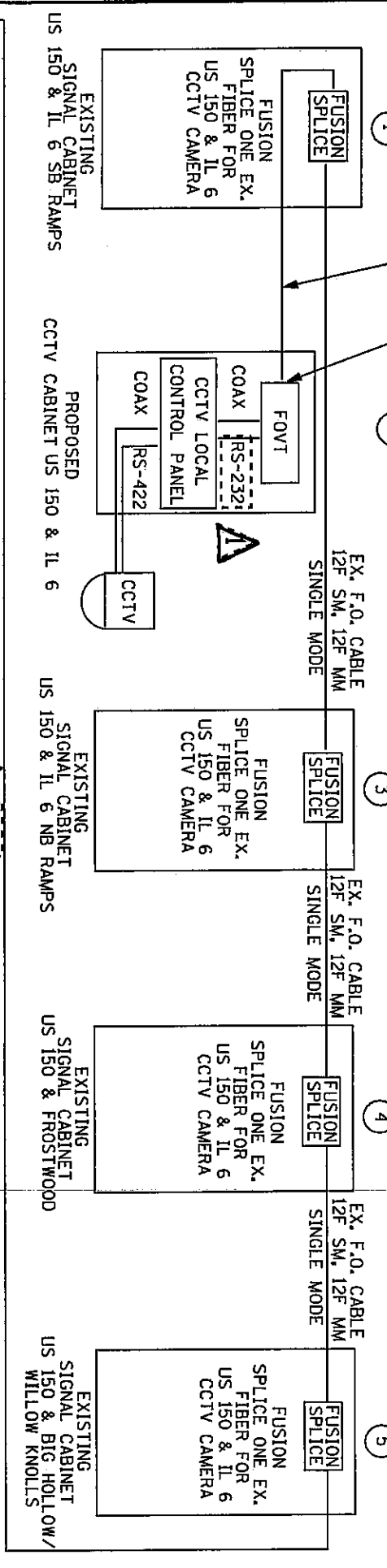
1. THE FOLLOWING EQUIPMENT SHALL BE REMOVED AND DELIVERED BY THE CONTRACTOR TO THE IDOT TRAFFIC BUILDING, 5826 N. KNOXVILLE AVE., PEORIA, IL.
-JUNCTION BOXES (ON CCTV POLE) - 1.0 EACH
-CCTV CAMERA - 1.0 EACH
2. THE FOLLOWING ITEMS SHALL BE REMOVED AND DISPOSED OF BY THE CONTRACTOR AT THE RIGHT-OF-WAY. THE SALVAGE VALUE OF THIS EQUIPMENT SHALL BE REFLECTED IN THE UNIT BID PRICE.
-ELECTRICAL CABLES (NOT USED IN FINAL INSTALLATION) - ALL

NOT TO SCALE

CCTV DETAILS
US 150 & IL 29
PEORIA
PEORIA COUNTY

- LEGEND
- ⊠ EX. SERVICE INSTALLATION
 - ⊠ EX. CCTV CABINET
 - ⊠ EX. CONCRETE HANDHOLE
 - EX. CCTV POLE (55')
 - EX. CONDUIT
 - PROP. PVC CONDUIT

ROUTE	SECTION	COUNTY	SHEET
MKD.	DESIG.		
FAP 317 US 24	D4 ITS	PEORIA	TOTAL
FAP 317 US 150	SYSTEM 2007	TAZEWELL	NO.
			27
			16



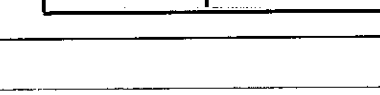
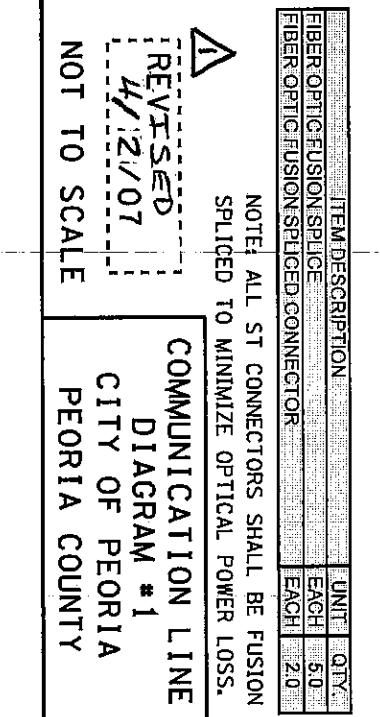
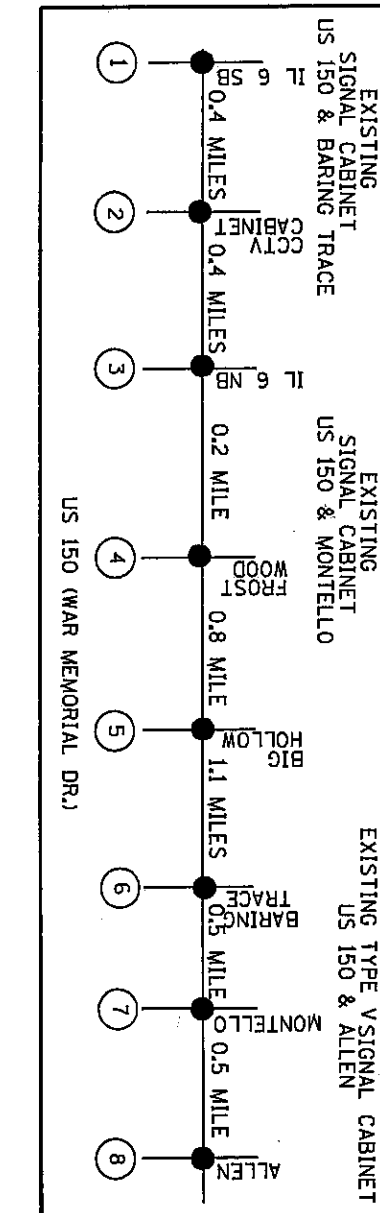
ITEM DESCRIPTION	UNIT	QTY.
FIBER OPTIC FUSION SPLICER	EACH	5.0
FIBER OPTIC FUSION SPLICED CONNECTOR	EACH	2.0

NOTE: ALL ST CONNECTORS SHALL BE FUSION SPLICED TO MINIMIZE OPTICAL POWER LOSS.

REVISED
4/12/07

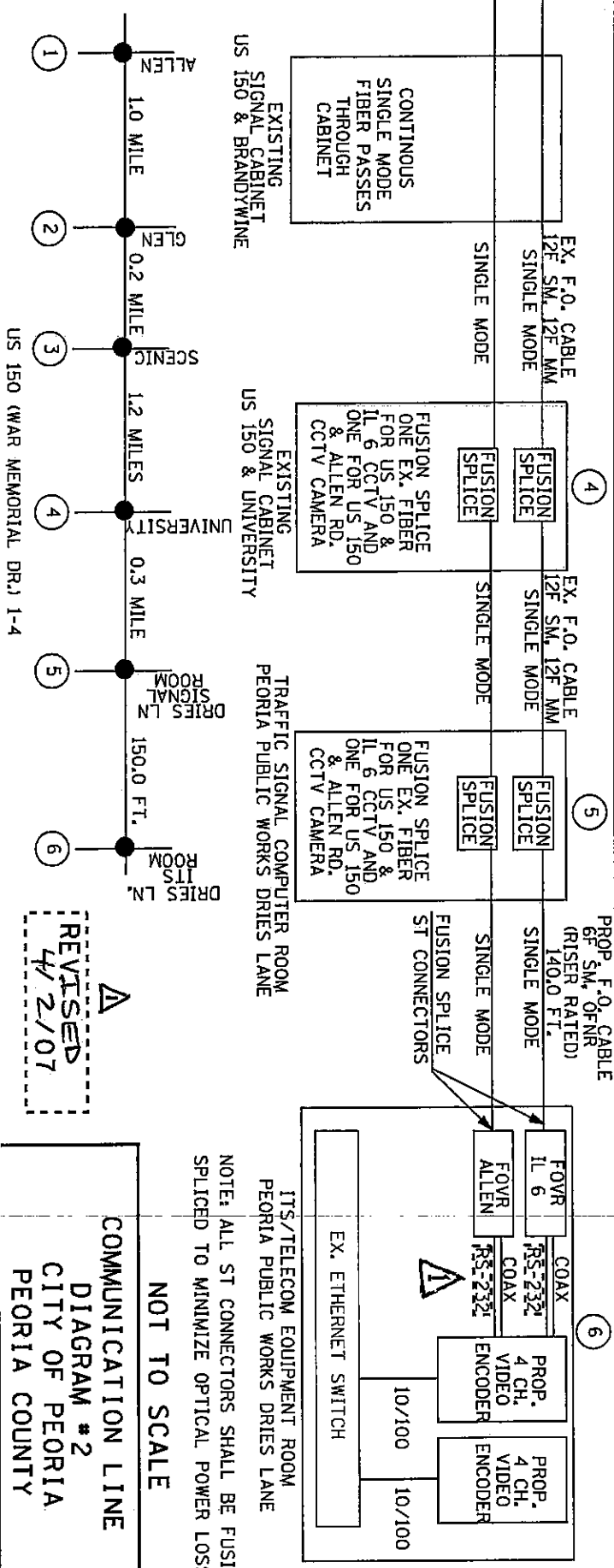
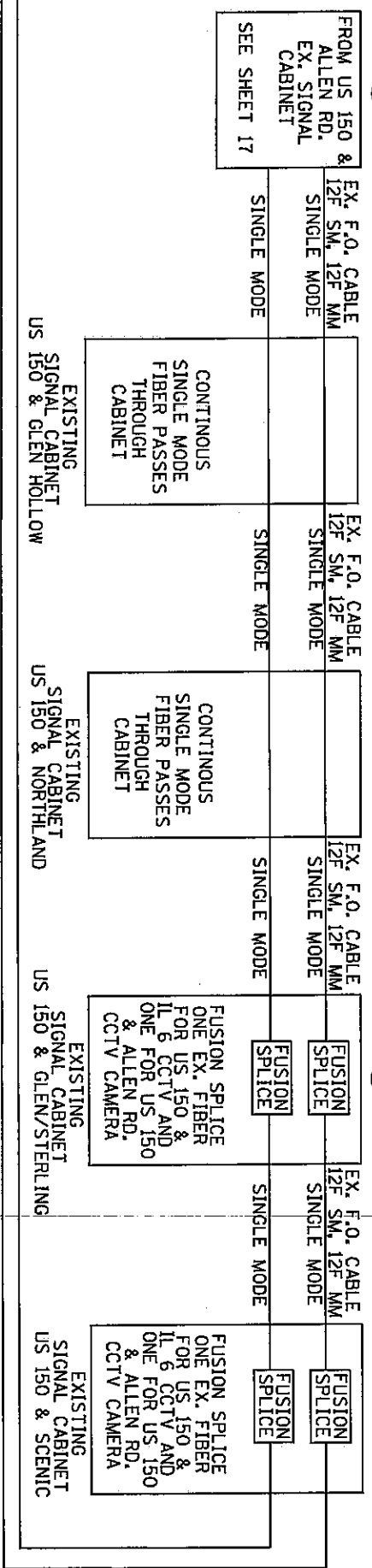
NOT TO SCALE

COMMUNICATION LINE
DIAGRAM #1
CITY OF PEORIA
PEORIA COUNTY



ITEM DESCRIPTION	UNIT	QTY.
FIBEROPTIC FUSION SPLICE	EACH	80
FIBEROPTIC CONNECTOR, ST FUSION SPLICED	EACH	20

ROUTE	DESIG.	SECTION	COUNTY	SHEET
MKD.				TOTAL
FAP 317 US 24	D4 ITS		PEORIA	27
FAP 317 US 150	SYSTEM 2007		TAZEWELL	17



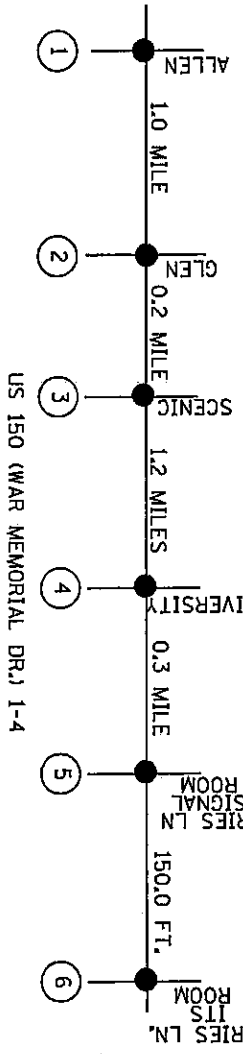
ITS/TELECOM EQUIPMENT ROOM
 PEORIA PUBLIC WORKS DRIES LANE

NOTE: ALL ST CONNECTORS SHALL BE FUSION SPLICED TO MINIMIZE OPTICAL POWER LOSS.

NOT TO SCALE

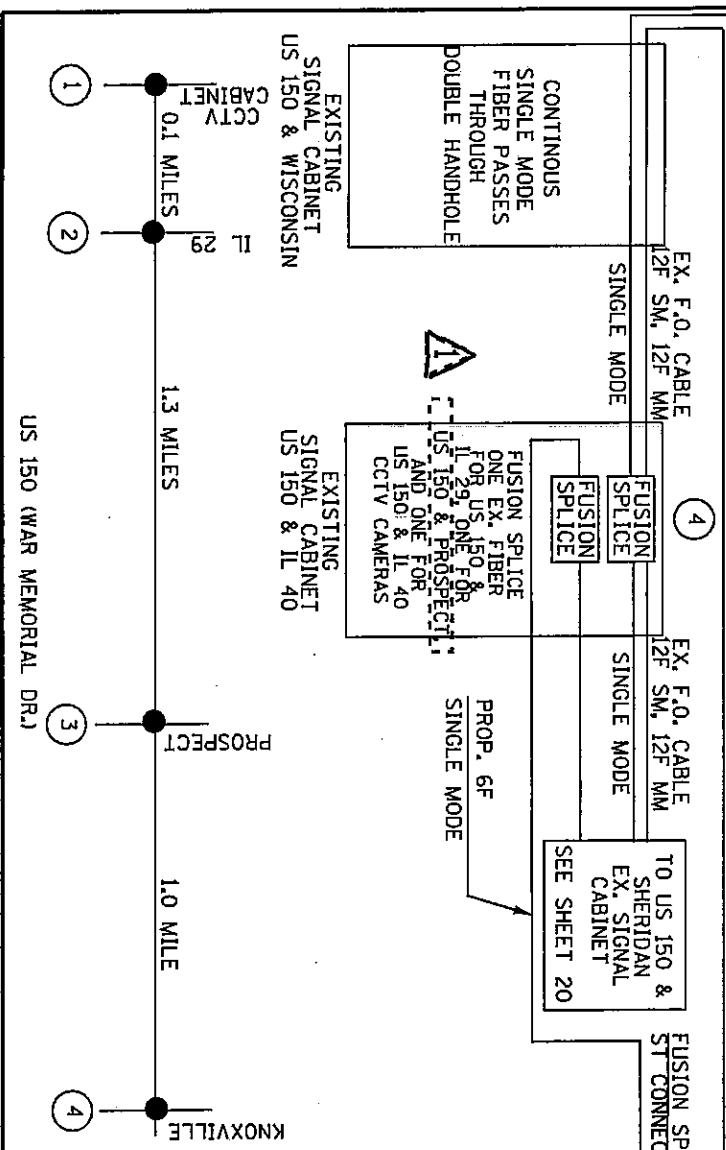
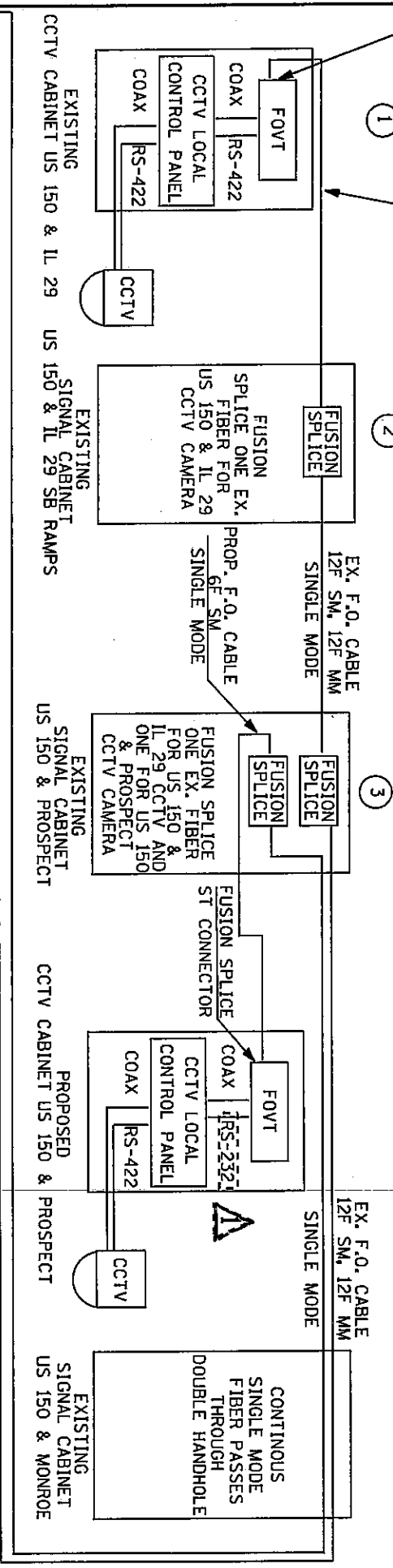
REVISIED
 4/2/07

COMMUNICATION LINE
 DIAGRAM #2
 CITY OF PEORIA
 PEORIA COUNTY



US 150 (WAR MEMORIAL DR.) 1-4

ROUTE	SECTION	COUNTY	SHEET
MKD.	DESIG.	D4 ITS	TOTAL
FAP 317	US 24	PEORIA	27
FAP 317	US 150	TAZEWELL	18



ITEM DESCRIPTION	UNIT	QTY.
FIBER OPTIC FUSION SPLICE	EACH	6.0
FIBER OPTIC FUSION SPLICED CONNECTOR	EACH	3.0

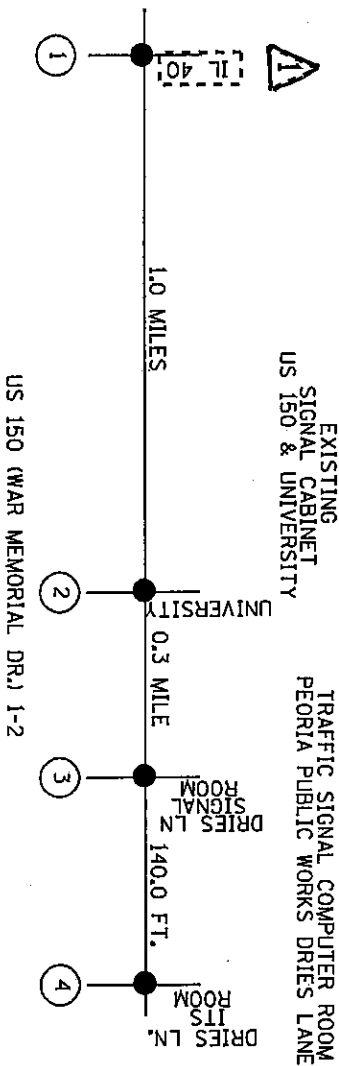
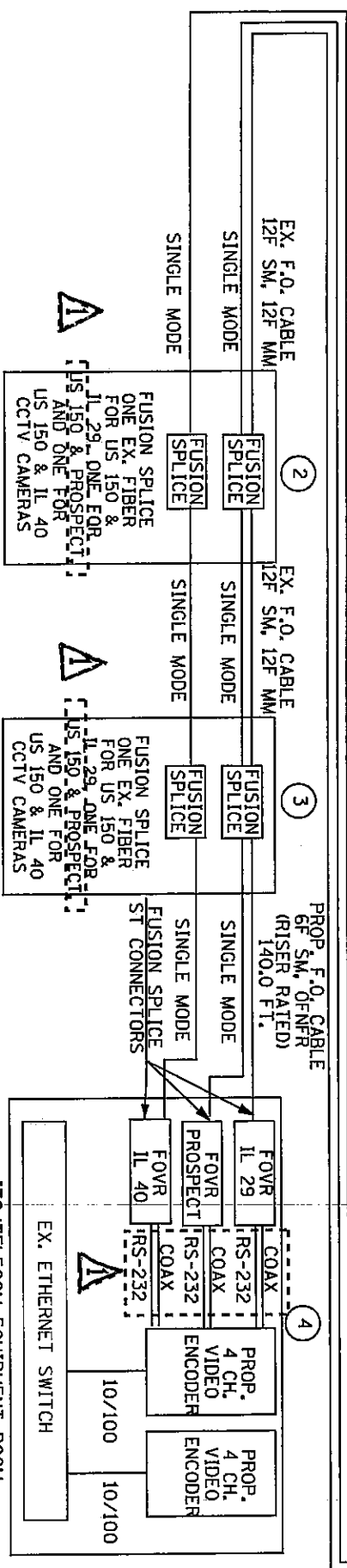
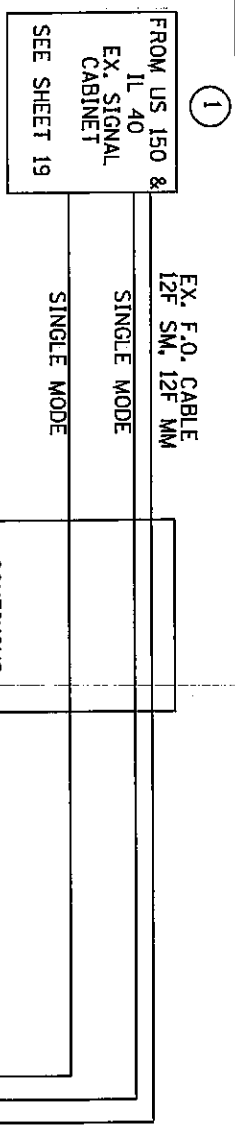
NOTE: ALL ST CONNECTORS SHALL BE FUSION SPLICED TO MINIMIZE OPTICAL POWER LOSS.

REVISIONS
 4/2/07
 COMMUNICATION LINE
 DIAGRAM #3
 CITY OF PEORIA
 PEORIA COUNTY

NOT TO SCALE

ITEM DESCRIPTION	UNIT	QTY
FIBER OPTIC FUSION SPLICE	EACH	60
FIBER OPTIC FUSION SPLICED CONNECTOR	EACH	30

ROUTE	DESIG.	SECTION	COUNTY	SHEET
MKD.	317 US 24	D4 ITS SYSTEM 2007	PEORIA	TOTAL
FAP	317 US 150		TAZEWELL	27
				19



NOTE: ALL ST CONNECTORS SHALL BE FUSION SPLICED TO MINIMIZE OPTICAL POWER LOSS.

NOT TO SCALE

REVISIONS
4/21/07

COMMUNICATION LINE
DIAGRAM #4
CITY OF PEORIA
PEORIA COUNTY

ROUTE		SECTION	COUNTY	SHEET
MKD.	DESIG.			TOTAL NO.
FAP 317	US 24	D4 ITS	PEORIA	27
FAP 317	US 150	SYSTEM 2007	TAZEWELL	20

EAST PEORIA PUBLIC SAFETY BUILDING NODE

ITEMS TO BE INSTALLED (REFER TO PROJECT SPECIAL PROVISIONS FOR COMPLETE DETAILS AND SPECIFICATIONS)

INSTALL CCTV FIBER OPTIC LINKS (2) IN EXISTING OUTDOOR ITS CABINET

INSTALL SIX CHANNEL VIDEO ENCODER (FOR PROPOSED CCTV CAMERAS) IN EXISTING OUTDOOR ITS CABINET

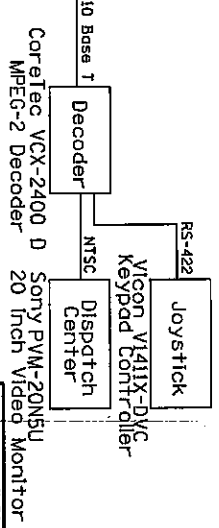
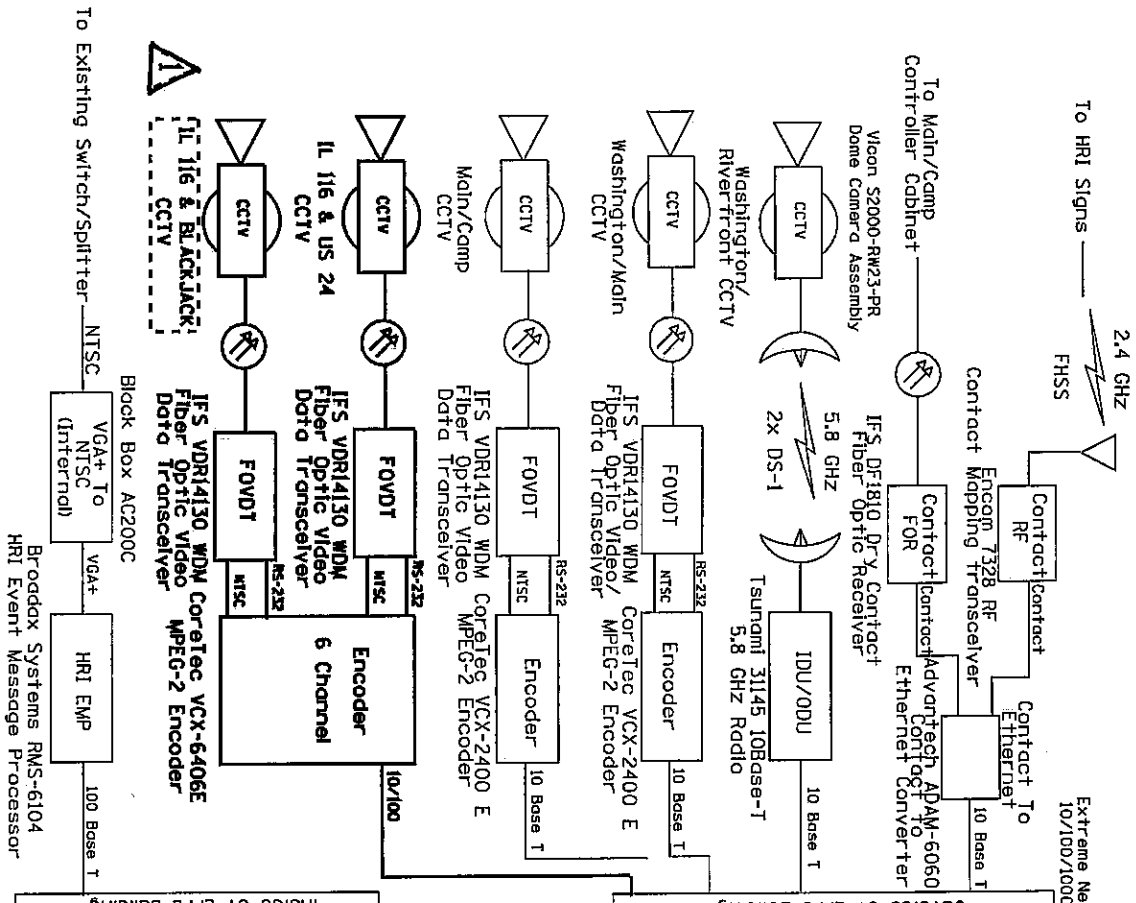
INSTALL ALL OTHER ITEMS REQUIRED FOR THE IMPROVEMENT (CABLES, ACCESSORIES, ETC.)

ITEM DESCRIPTION	UNIT	QUANTITY
FIBER OPTIC LINK (CLOSED CIRCUIT TELEVISION)	EACH	1.0
EAST PEORIA PUBLIC SAFETY BUILDING NODE	LSUM	1.0

NOT TO SCALE

ITS NODE DETAIL
EAST PEORIA PUBLIC
SAFETY BUILDING

ROUTE	SECTION	COUNTY	SHEET
MKD.	DESIG.		TOTAL
FAP 317 US 24	D4 ITS	PEORIA	27
FAP 317 US 150	SYSTEM 2007	TAZEWELL	21



REVISIED
4/2/07

NOT TO SCALE

ITS NODE DETAIL
EAST PEORIA PUBLIC
SAFETY BUILDING

ROUTE		SECTION	COUNTY	SHEET	
MKD.	DESIG.			TOTAL	NO.
FAP 317	US 24	D4 ITS	PEORIA	27	22
FAP 317	US 150	SYSTEM 2007	TAZEWELL		

PEORIA PUBLIC WORKS DEPARTMENT DRIES LANE NODE

ITEMS TO BE INSTALLED (REFER TO PROJECT SPECIAL PROVISIONS FOR COMPLETE DETAILS AND SPECIFICATIONS)

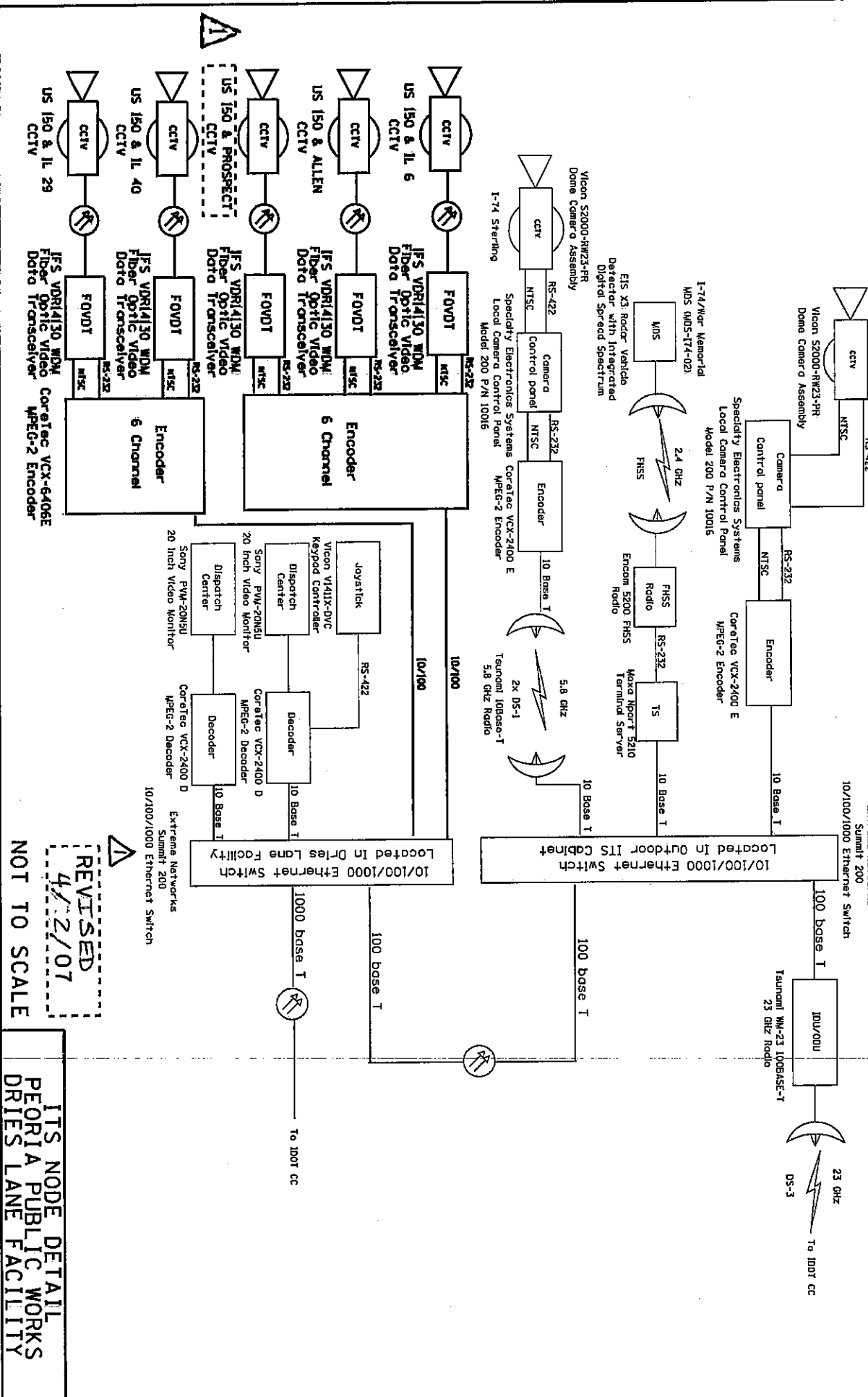
- INSTALL CARD CAGE CHASSIS AND POWER SUPPLY FOR FIBER OPTIC VIDEO RECEIVERS IN EXISTING EQUIPMENT RACK IN ITS/TELECOM ROOM AND INSTALL THE FIVE FIBER OPTIC VIDEO RECEIVER CARDS
- INSTALL 140 FT. OF 12SM OFNP OR OFNR FIBER OPTIC CABLE FROM SIGNAL COMPUTER ROOM TO ITS/TELECOM ROOM
- INSTALL TWO SIX CHANNEL VIDEO ENCODERS (PROPOSED CCTV CAMERAS) IN EXISTING RACK IN ITS/TELECOM ROOM
- INSTALL ALL OTHER ITEMS REQUIRED FOR THE IMPROVEMENT (CABLES, ACCESSORIES, ETC.)

ITEM DESCRIPTION	UNIT	QUANTITY
FIBER OPTIC LINK (CLOSED CIRCUIT TELEVISION)	EACH	2.5
PEORIA PUBLIC WORKS DRIES LANE NODE	LSUM	1.0

NOT TO SCALE

ITS NODE DETAIL
PEORIA PUBLIC WORKS
DRIES LANE FACILITY

ROUTE	SECTION	COUNTY	SHEET
MKD.	DESIG.		TOTAL NO.
FAP 317 US 24	D4 ITS SYSTEM 2007	PEORIA TAZEWELL	27
FAP 317 US 150			23



REVISSED
4/2/07

NOT TO SCALE

ITS NODE DETAIL
PEORIA PUBLIC WORKS
DRIES LANE FACILITY

ROUTE	SECTION	COUNTY	SHEET
MKD. DESIG.			TOTAL NO.
FAP 317 US 24	D4 ITS SYSTEM 2007	PEORIA	27
FAP 317 US 150		TAZEWELL	24

ILLINOIS DEPARTMENT OF TRANSPORTATION COMMUNICATIONS CENTER NODE

ITEMS TO BE INSTALLED (REFER TO PROJECT SPECIAL PROVISIONS FOR COMPLETE DETAILS AND SPECIFICATIONS)

- INSTALL ONE ADDITIONAL VIDEO DECODER CARD CAGE AND POWER SUPPLY IN EXISTING EQUIPMENT RACK IN ITS EQUIPMENT ROOM.
- INSTALL ADDITIONAL VICON LINE DISTRIBUTION UNIT IN EXISTING EQUIPMENT RACK IN ITS EQUIPMENT ROOM.
- INSTALL ONE CHANNEL RACK MOUNTED VIDEO DECODER (FOR PROPOSED CCTV CAMERA AT US 150 & IL 6)
- INSTALL ONE CHANNEL RACK MOUNTED VIDEO DECODER (FOR PROPOSED CCTV CAMERA AT US 150 & ALLEN)
- INSTALL ONE CHANNEL RACK MOUNTED VIDEO DECODER (FOR PROPOSED CAMERA AT US 150 & PROSPECT)
- INSTALL ONE CHANNEL RACK MOUNTED VIDEO DECODER (FOR PROPOSED CCTV CAMERA AT US 150 & IL 40)
- INSTALL ONE CHANNEL RACK MOUNTED VIDEO DECODER (FOR PROPOSED CCTV CAMERA AT US 150 & IL 29)
- INSTALL ONE CHANNEL RACK MOUNTED VIDEO DECODER (FOR PROPOSED CCTV CAMERA AT US 24 & IL 116)
- INSTALL ONE CHANNEL RACK MOUNTED VIDEO DECODER (FOR PROPOSED CCTV CAMERA AT IL 116 & BLKJACK)
- INSTALL ALL OTHER ITEMS REQUIRED FOR THE IMPROVEMENT (CABLES, ACCESSORIES, ETC.)



ITEM DESCRIPTION	UNIT	QUANTITY
ILLINOIS DEPT OF TRANSPORTATION COMMUNICATIONS NODE	LSUM	1.0



REVISED
4/2/07

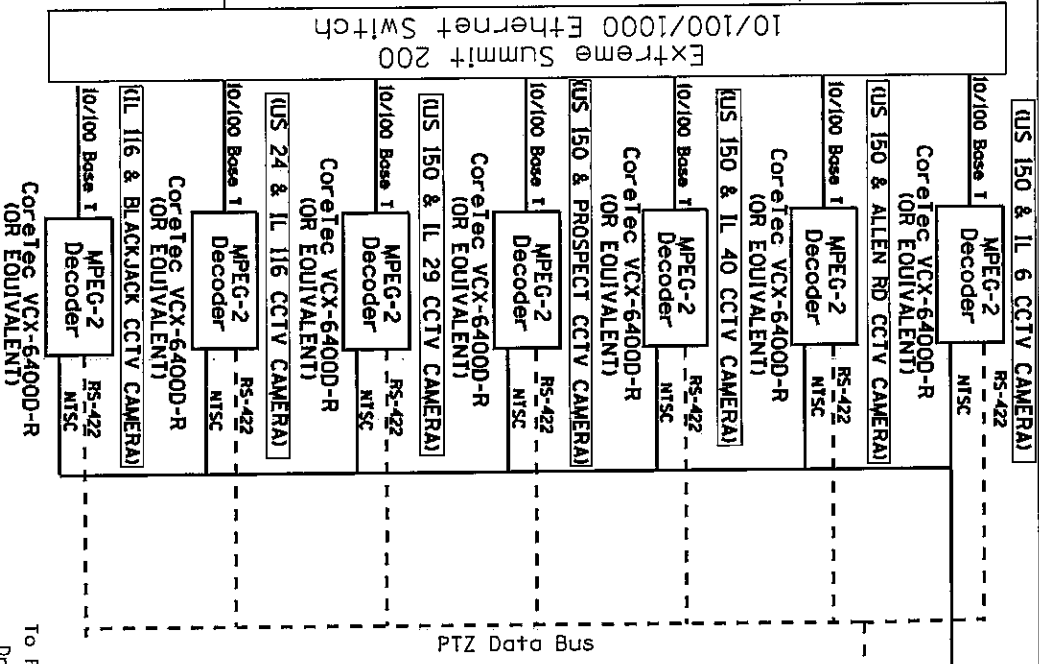
NOT TO SCALE

ITS NODE DETAIL
IDOT DISTRICT 4
COMMUNICATION CENTER

Link to East Peoria
Public Safety (EPPS)



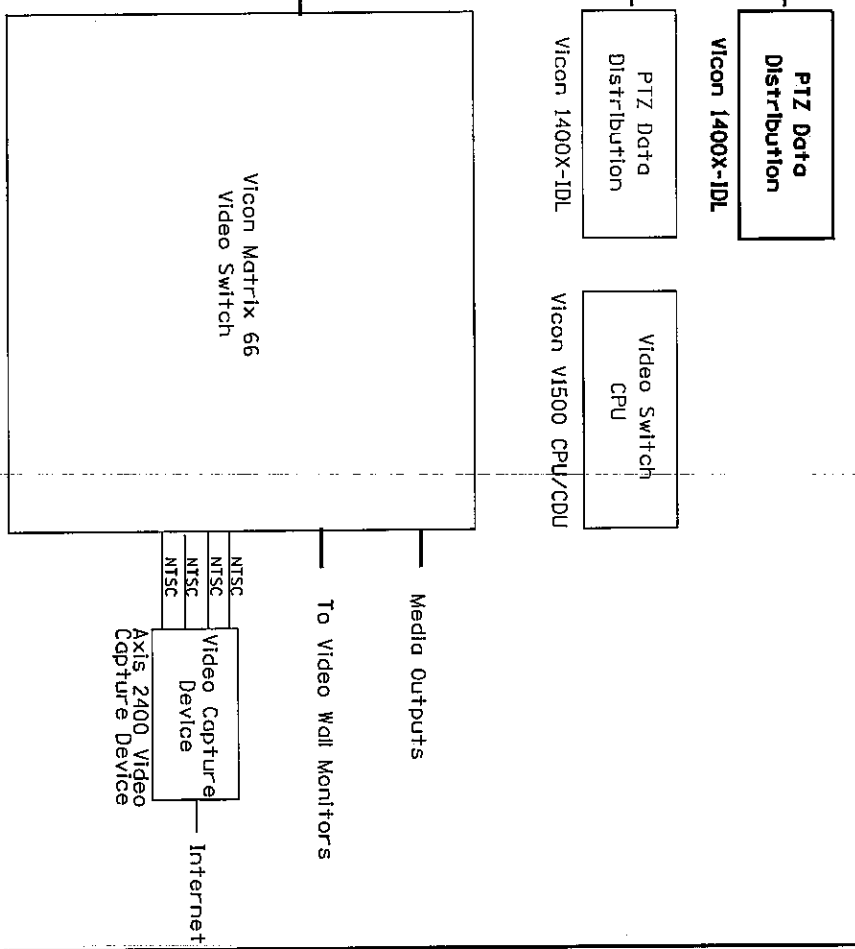
23 GHz
DS-3
Tsunami WM-23 100BASE-T
IDU/ODU
100 base T
23 GHz Radio



PTZ Data Bus

Video Input Bus

ROUTE		SECTION	COUNTY	SHEET	
MKD.	DESIG.			TOTAL	NO.
FAP 317	US 24	D4 ITS	PEORIA	27	25
FAP 317	US 150	SYSTEM 2007	TAZEWELL		



The Contractor shall provide seven decoder chassis cards and one 12 module card cage chassis with integral power supply (Coretec R-12 or Equivalent).

NOT TO SCALE

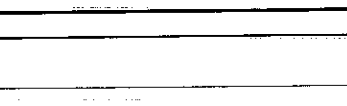
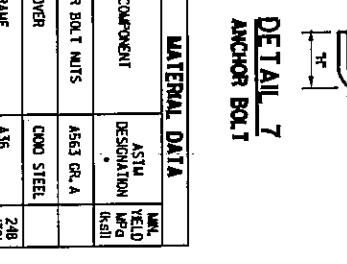
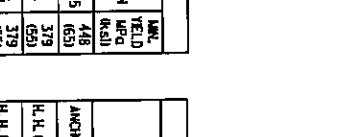
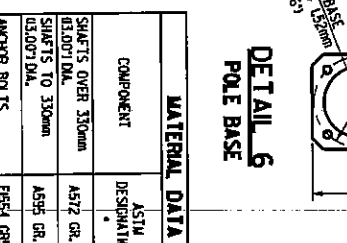
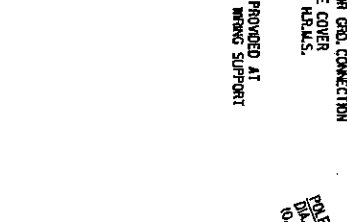
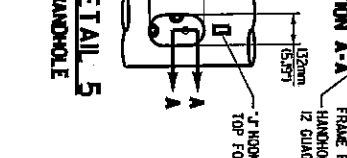
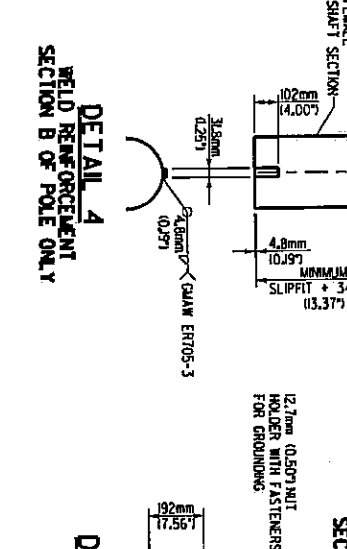
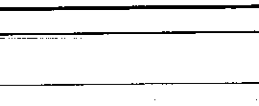
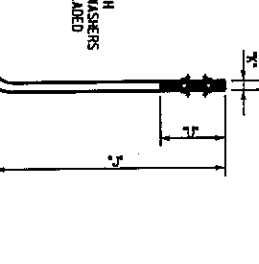
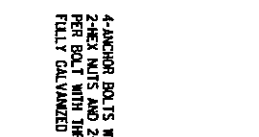
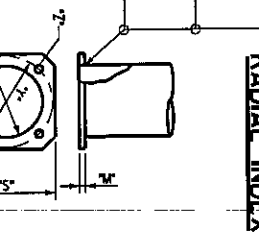
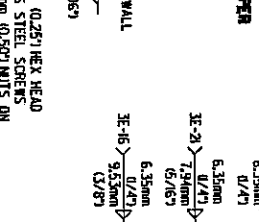
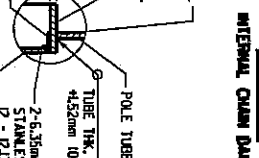
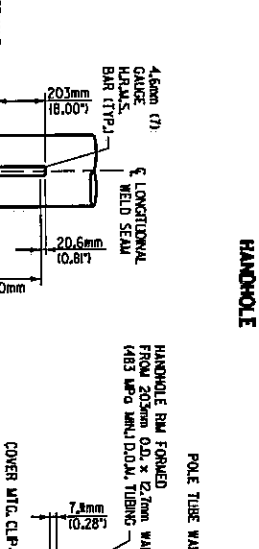
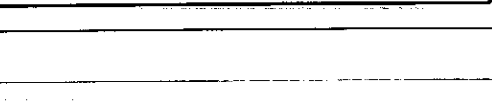
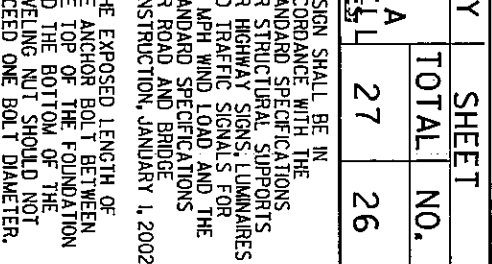
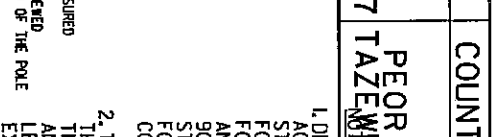
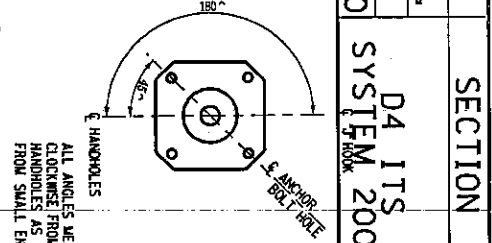
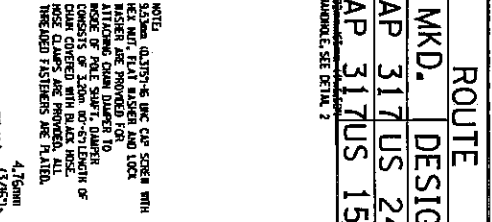
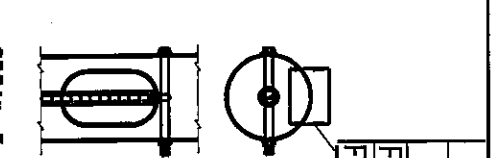
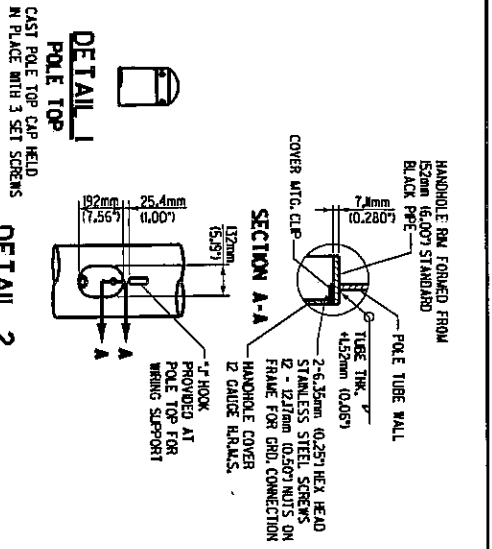
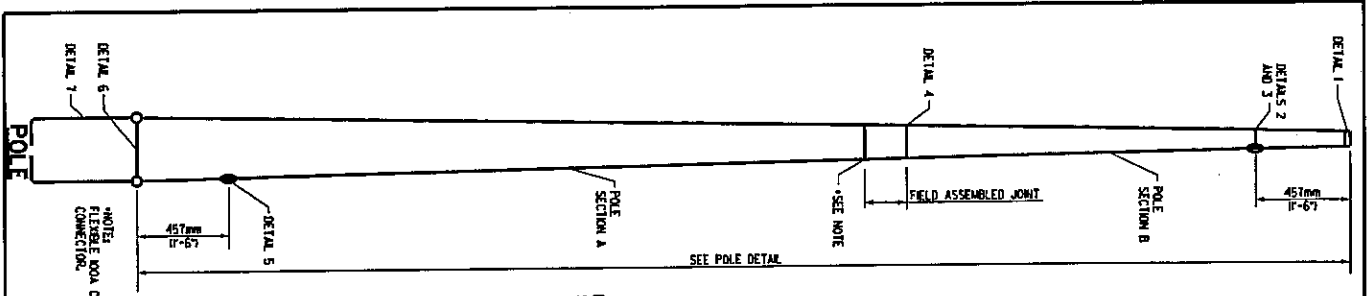
IDOT COMMUNICATIONS
CENTER NODE
DATA NETWORK LINE DIAGRAM

NOTE: DIAGRAM DOES NOT SHOW ALL EXISTING EQUIPMENT.

1000 BASE T

To Peoria Public Works
Dries Lane Facility
48F SW

ROUTE		SECTION		COUNTY		SHEET	
MKD.	DESIG.					TOTAL	NO.
FAP 317	US 24	D4 ITS	PEORIA			27	26
FAP 317US	150	SYSTEM 2007	TAZEWELL				



POLE DATA

ITEM QTY.	MOUNTING HEIGHT (ft)	POLE TUBE			POLE BASE			ANCHOR BOLT			
		BASE DIA. (in)	LENGTH (ft)	THICK OR CALVE (in)	BOLE DIA. (in)	THK (in)	SLOT "Z" (in)	DA. (in)	LENGTH (ft)	HOOK LENGTH (in)	TREATH (in)
1	13.72	330	15.72	170	6.07	4.8	4.4	38	13.72	152	203
1	145.000	A	406	0.27	287	4.8	4.4	38	13.72	152	203
2	6.76	B	305	7.27	220	4.55	4.55	38	13.72	152	203
	65.000		102.001		102.001		102.001		102.001		102.001

MATERIAL DATA

COMPONENT	ASTM DESIGNATION	MAT. YIELD (ksi)
SLATS OVER 330mm (13.001) DIA.	A572 GR. 65	448 (65)
SLATS TO 330mm (13.001) DIA.	A595 GR. A	379 (55)
ANCHOR BOLTS	F554 GR55	379 (55)
BASE PLATE	A36	248 (36)
CALVANIZING	A42 & A83	
FLAT WASHERS	F436	

MATERIAL DATA

COMPONENT	ASTM DESIGNATION	MAT. YIELD (ksi)
ANCHOR BOLT NUTS	A563 GR. A	379 (55)
H.H. COVER	C100 STEEL	
H.H. FRAME	A36	248 (36)
POLE TOP	B26	

NOT TO SCALE
CCTV CAMERA POLE
DETAILS

1. DESIGN SHALL BE IN ACCORDANCE WITH THE STANDARD SPECIFICATIONS FOR STRUCTURAL SUPPORTS FOR HIGHWAY SIGNS, LUMINAIRES AND TRAFFIC SIGNALS FOR 90 MPH WIND LOAD AND THE STANDARD SPECIFICATIONS FOR ROAD AND BRIDGE CONSTRUCTION, JANUARY 1, 2002.

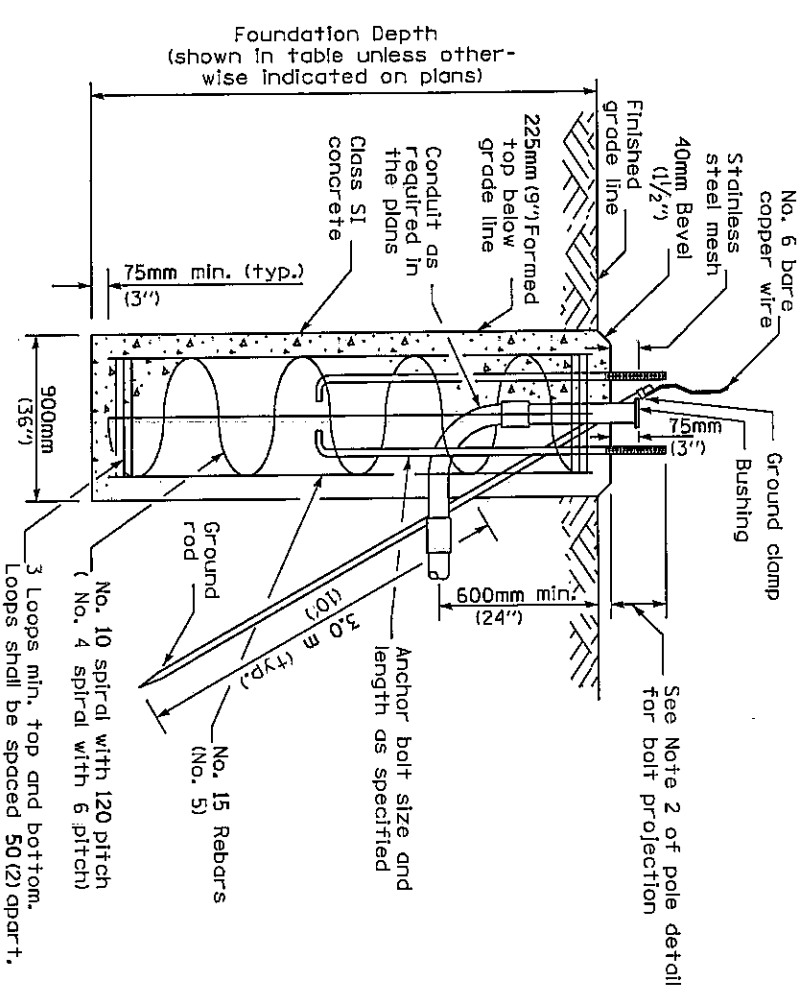
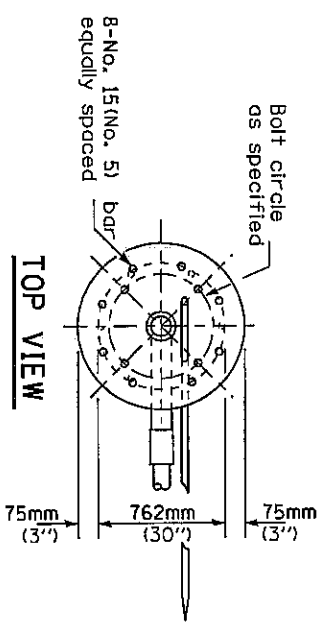
2. THE EXPOSED LENGTH OF THE ANCHOR BOLT BETWEEN THE TOP OF THE FOUNDATION AND THE BOTTOM OF THE LEVELING NUT SHOULD NOT EXCEED ONE BOLT DIAMETER.

NOTE: 1. DESIGN SHALL BE IN ACCORDANCE WITH THE STANDARD SPECIFICATIONS FOR STRUCTURAL SUPPORTS FOR HIGHWAY SIGNS, LUMINAIRES AND TRAFFIC SIGNALS FOR 90 MPH WIND LOAD AND THE STANDARD SPECIFICATIONS FOR ROAD AND BRIDGE CONSTRUCTION, JANUARY 1, 2002.

NOTE: 1. DESIGN SHALL BE IN ACCORDANCE WITH THE STANDARD SPECIFICATIONS FOR STRUCTURAL SUPPORTS FOR HIGHWAY SIGNS, LUMINAIRES AND TRAFFIC SIGNALS FOR 90 MPH WIND LOAD AND THE STANDARD SPECIFICATIONS FOR ROAD AND BRIDGE CONSTRUCTION, JANUARY 1, 2002.

NOTE: 1. DESIGN SHALL BE IN ACCORDANCE WITH THE STANDARD SPECIFICATIONS FOR STRUCTURAL SUPPORTS FOR HIGHWAY SIGNS, LUMINAIRES AND TRAFFIC SIGNALS FOR 90 MPH WIND LOAD AND THE STANDARD SPECIFICATIONS FOR ROAD AND BRIDGE CONSTRUCTION, JANUARY 1, 2002.

NOTE: 1. DESIGN SHALL BE IN ACCORDANCE WITH THE STANDARD SPECIFICATIONS FOR STRUCTURAL SUPPORTS FOR HIGHWAY SIGNS, LUMINAIRES AND TRAFFIC SIGNALS FOR 90 MPH WIND LOAD AND THE STANDARD SPECIFICATIONS FOR ROAD AND BRIDGE CONSTRUCTION, JANUARY 1, 2002.



Pole Height	Foundation depth
13.7m (45')	4.4m (14'-6")
16.8m (55')	5.2m (20'-4")

ROUTE		SECTION	COUNTY	SHEET	
MKD.	DESIG.			TOTAL	NO.
FAP 317	US 24	D4 ITS	PEORIA	27	27
FAP 317	US 150	SYSTEM 2007	TAZEWELL	27	27

Notes:

- The Engineer shall determine the class of soil during excavation. These foundation depths are for sites which have cohesive soils (clayey silt, sandy clay, etc.) along the length of the shaft, with an average Unconfined Compressive Strength (OU) ≥ 100 kPa (1.0 tsf). This strength shall be verified by boring data prior to construction or with testing by the Engineer during foundation drilling. The Bureau of Bridges & Structures should be contacted for a revised design if other conditions are encountered.
- The anchor bolts and raceways shall be properly secured in place.
- Concrete shall be class "SI" Concrete and the foundation must be cured for ten (10) days before the pole is erected.
- The cable trench shall be back-filled and firmly compacted before the pole is erected.
- For sloping grades, the foundation design depth shall be increased by the corresponding cross slope shaft depth increase factor given by:
 A. Cohesive soil - cross slope shaft increase factor $0.009 \times (\text{slope angle}) + 1.0$
 B. Granular soil - cross slope shaft increase factor $0.00005 \times (\text{slope angle}) + 1.0$
- Install grounding system in accordance with Section 807 of the IDOT Standard Specifications.

NOT TO SCALE

CCTV CAMERA POLE FOUNDATION DETAIL

**REQUIRED CONTRACT PROVISIONS
FEDERAL-AID CONSTRUCTION CONTRACTS**

	Page
I. General	1
II. Nondiscrimination	1
III. Nonsegregated Facilities	3
IV. Payment of Predetermined Minimum Wage.....	3
V. Statements and Payrolls	6
VI. Record of Materials, Supplies, and Labor.....	7
VIII. Safety: Accident Prevention	7
IX. False Statements Concerning Highway Projects.....	7
X. Implementation of Clean Air Act and Federal Water Pollution Control Act	8
XI. Certification Regarding Debarment, Suspension, Ineligibility, and Voluntary Exclusion	8
XII. Certification Regarding Use of Contract Funds for Lobbying	9

ATTACHMENTS

- A. Employment Preference for Appalachian Contracts
(included in Appalachian contracts only)

I. GENERAL

1. These contract provisions shall apply to all work performed on the contract by the contractor's own organization and with the assistance of workers under the contractor's immediate superintendence and to all work performed on the contract by piecework, station work, or by subcontract.

2. Except as otherwise provided for in each section, the contractor shall insert in each subcontract all of the stipulations contained in these Required Contract Provisions, and further require their inclusion in any lower tier subcontract or purchase order that may in turn be made. The Required Contract Provisions shall not be incorporated by reference in any case. The prime contractor shall be responsible for compliance by any subcontractor or lower tier subcontractor with these Required Contract Provisions.

3. A breach of any of the stipulations contained in these Required Contract Provisions shall be sufficient grounds for termination of the contract.

4. A breach of the following clauses of the Required Contract Provisions may also be grounds for debarment as provided in 29 CFR 5.12:

- Section I, paragraph 2;
- Section IV, paragraphs 1, 2, 3, 4 and 7;
- Section V, paragraphs 1 and 2a through 2g.

5. Disputes arising out of the labor standards provisions of Section IV (except paragraph 5) and Section V of these Required Contract Provisions shall not be subject to the general disputes clause of this contract. Such disputes shall be resolved in accordance with the procedures of the U.S. Department of Labor (DOL) as set forth in 29 CFR 5, 6 and 7. Disputes within the meaning of this clause include disputes between the contractor (or any of its subcontractors) and the contracting agency, the DOL, or the contractor's employees or their representatives.

6. Selection of Labor: During the performance of this contract, the contractor shall not:

- a. Discriminate against labor from any other State, possession, or territory of the United States (except for employment preference for Appalachian contracts, when applicable, as specified in Attachment A), or
- b. Employ convict labor for any purpose within the limits of the project unless it is labor performed by convicts who are on parole, supervised release, or probation.

II. NONDISCRIMINATION

1. Equal Employment Opportunity: Equal employment opportunity (EEO) requirements not to discriminate and to take affirmative action to assure equal opportunity as set forth under laws, executive orders, rules, regulations (28 CFR 35, 29 CFR 1630 and 41 CFR 60 (and orders of the Secretary of Labor as modified by the provisions prescribed herein, and imposed pursuant to 23 U.S.C. 140 shall constitute the EEO and specific affirmative action standards for the contractor's project activities under this contract. The Equal Opportunity Construction Contract Specifications set forth under 41 CFR 60-4.3 and the provisions of the American Disabilities Act of 1990 (42 U.S.C. 12101 et seq.) set forth under 28 CFR 35 and 29 CFR 1630 are incorporated by reference in this contract. In the execution of this contract, the contractor agrees to comply with the following minimum specific requirement activities of EEO:

a. The contractor will work with the State highway agency (SHA) and the Federal Government in carrying out EEO obligations and in their review of his/her activities under the contract.

b. The contractor will accept as his operating policy the following statement:

"It is the policy of this Company to assure that applicants are employed, and that employees are treated during employment, without regard to their race, religion, sex, color, national origin, age or disability. Such action shall include: employment, upgrading, demotion, or transfer; recruitment or recruitment advertising; layoff or termination; rates of pay or other forms of compensation; and selection for training, including apprenticeship, preapprenticeship, and/or on-the-job-training."

2. EEO Officer: The contractor will designate and make known to the SHA contracting officers an EEO Officer who will have the responsibility for an must be capable of effectively administering and promoting an active contractor program of EEO and who must be assigned adequate authority and responsibility to do so.

3. Dissemination of Policy: All members of the contractor's staff who are authorized to hire, supervise, promote, and discharge employees, or who recommend such action, or who are substantially involved in such action, will be made fully cognizant of, and will implement, the contractor's EEO policy and contractual responsibilities to provide EEO in each grade and classification of employment. To ensure that the above

agreement will be met, the following actions will be taken as a minimum:

a. Periodic meetings of supervisory and personnel office employees will be conducted before the start of work and then not less often than once every six months, at which time the contractor's EEO policy and its implementation will be reviewed and explained. The meetings will be conducted by the EEO Officer.

b. All new supervisory or personnel office employees will be given a thorough indoctrination by the EEO Officer, covering all major aspects of the contractor's EEO obligations within thirty days following their reporting for duty with the contractor.

c. All personnel who are engaged in direct recruitment for the project will be instructed by the EEO Officer in the contractor's procedures for locating and hiring minority group employees.

d. Notices and posters setting forth the contractor's EEO policy will be placed in areas readily accessible to employees, applicants for employment and potential employees.

e. The contractor's EEO policy and the procedures to implement such policy will be brought to the attention of employees by means of meetings, employee handbooks, or other appropriate means.

4. Recruitment: When advertising for employees, the contractor will include in all advertisements for employees the notation: "An Equal Opportunity Employer." All such advertisements will be placed in publications having a large circulation among minority groups in the area from which the project work force would normally be derived.

a. The contractor will, unless precluded by a valid bargaining agreement, conduct systematic and direct recruitment through public and private employees referral sources likely to yield qualified minority group applicants. To meet this requirement, the contractor will identify sources of potential minority group employees, and establish which such identified sources procedures whereby minority group applicants may be referred to the contractor for employment consideration.

b. In the event the contractor has a valid bargaining agreement providing for exclusive hiring hall referrals, he is expected to observe the provisions of that agreement to the extent that the system permits the contractor's compliance with EEO contract provisions. (The DOL has held that where implementation of such agreements have the effect of discriminating against minorities or women, or obligates the contractor to do the same, such implementation violates Executive Order 11246, as amended.)

c. The contractor will encourage his present employees to refer minority group applicants for employment. Information and procedures with regard to referring minority group applicants will be discussed with employees.

5. Personnel Actions: Wages, working conditions, and employee benefits shall be established and administered, and personnel actions of every type, including hiring, upgrading, promotion, transfer, demotion, layoff, and termination, shall be taken without regard to race, color, religion, sex, national origin, age or disability. The following procedures shall be followed:

a. The contractor will conduct periodic inspections of project sites to insure that working conditions and employee facilities do not indicate discriminatory treatment of project site personnel.

b. The contractor will periodically evaluate the spread of wages paid within each classification to determine any

evidence of discriminatory wage practices.

c. The contractor will periodically review selected personnel actions in depth to determine whether there is evidence of discrimination. Where evidence is found, the contractor will promptly take corrective action. If the review indicates that the discrimination may extend beyond the actions reviewed, such corrective action shall include all affected persons.

d. The contractor will promptly investigate all complaints of alleged discrimination made to the contractor in connection with his obligations under this contract, will attempt to resolve such complaints, and will take appropriate corrective action within a reasonable time. If the investigation indicates that the discrimination may affect persons other than the complainant, such corrective action shall include such other persons. Upon completion of each investigation, the contractor will inform every complainant of all of his avenues of appeal.

6. Training and Promotion:

a. The contractor will assist in locating, qualifying, and increasing the skills of minority group and women employees, and applicants for employment.

b. Consistent with the contractor's work force requirements and as permissible under Federal and State regulations, the contractor shall make full use of training programs, i.e., apprenticeship, and on-the-job training programs for the geographical area of contract performance. Where feasible, 25 percent of apprentices or trainees in each occupation shall be in their first year of apprenticeship or training. In the event a special provision for training is provided under this contract, this subparagraph will be superseded as indicated in the special provision.

c. The contractor will advise employees and applicants for employment of available training programs and entrance requirements for each.

d. The contractor will periodically review the training and promotion potential of minority group and women employees and will encourage eligible employees to apply for such training and promotion.

7. Unions: If the contractor relies in whole or in part upon unions as a source of employees, the contractor will use his/her best efforts to obtain the cooperation of such unions to increase opportunities for minority groups and women within the unions, and to effect referrals by such unions of minority and female employees. Actions by the contractor either directly or through a contractor's association acting as agent will include the procedures set forth below:

a. The contractor will use best efforts to develop, in cooperation with the unions, joint training programs aimed toward qualifying more minority group members and women for membership in the unions and increasing the skills of minority group employees and women so that they may qualify for higher paying employment.

b. The contractor will use best efforts to incorporate an EEO clause into each union agreement to the end that such union will be contractually bound to refer applicants without regard to their race, color, religion, sex, national origin, age or disability.

c. The contractor is to obtain information as to the referral practices and policies of the labor union except that to the extent such information is within the exclusive possession of the labor union and such labor union refuses to furnish such information to the contractor, the contractor shall so certify to

the SHA and shall set forth what efforts have been made to obtain such information.

d. In the event the union is unable to provide the contractor with a reasonable flow of minority and women referrals within the time limit set forth in the collective bargaining agreement, the contractor will, through independent recruitment efforts, fill the employment vacancies without regard to race, color, religion, sex, national origin, age or disability; making full efforts to obtain qualified and/or quailifiable minority group persons and women. (The DOL has held that it shall be no excuse that the union with which the contractor has a collective bargaining agreement providing for exclusive referral failed to refer minority employees.) In the event the union referral practice prevents the contractor from meeting the obligations pursuant to Executive Order 11246, as amended, and these special provisions, such contractor shall immediately notify the SHA.

8. Selection of Subcontractors, Procurement of Materials and Leasing of Equipment: The contractor shall not discriminate on the grounds of race, color, religion, sex, national origin, age or disability in the selection and retention of subcontractors, including procurement of materials and leases of equipment.

a. The contractor shall notify all potential subcontractors and suppliers of his/her EEO obligations under this contract.

b. Disadvantaged business enterprises (DBE), as defined in 49 CFR 23, shall have equal opportunity to compete for and perform subcontracts which the contractor enters into pursuant to this contract. The contractor will use his best efforts to solicit bids from and to utilize DBE subcontractors or subcontractors with meaningful minority group and female representation among their employees. Contractors shall obtain lists of DBE construction firms from SHA personnel.

c. The contractor will use his best efforts to ensure subcontractor compliance with their EEO obligations.

9. Records and Reports: The contractor shall keep such records as necessary to document compliance with the EEO requirements. Such records shall be retained for a period of three years following completion of the contract work and shall be available at reasonable times and places for inspection by authorized representatives of the SHA and the FHWA.

a. The records kept by the contractor shall document the following:

(1) The number of minority and non-minority group members and women employed in each work classification on the project;

(2) The progress and efforts being made in cooperation with unions, when applicable, to increase employment opportunities for minorities and women;

(3) The progress and efforts being made in locating, hiring, training, qualifying, and upgrading minority and female employees; and

(4) The progress and efforts being made in securing the services of DBE subcontractors or subcontractors with meaningful minority and female representation among their employees.

b. The contractors will submit an annual report to the SHA each July for the duration of the project, indicating the number of minority, women, and non-minority group employees currently engaged in each work classification required by the contract work. This information is to be reported on Form FHWA-1391. If on-the-job training is being required by special provision, the contractor will be required to collect and report training data.

III. NONSEGREGATED FACILITIES

(Applicable to all Federal-aid construction contracts and to all related subcontracts of \$10,000 or more.)

a. By submission of this bid, the execution of this contract or subcontract, or the consummation of this material supply agreement or purchase order, as appropriate, the bidder, Federal-aid construction contractor, subcontractor, material supplier, or vendor, as appropriate, certifies that the firm does not maintain or provide for its employees any segregated facilities at any of its establishments, and that the firm does not permit its employees to perform their services at any location, under its control, where segregated facilities are maintained. The firm agrees that a breach of this certification is a violation of the EEO provisions of this contract. The firm further certifies that no employee will be denied access to adequate facilities on the basis of sex or disability.

b. As used in this certification, the term "segregated facilities" means any waiting rooms, work areas, restrooms and washrooms, restaurants and other eating areas, timeclocks, locker rooms, and other storage or dressing areas, parking lots, drinking fountains, recreation or entertainment areas, transportation, and housing facilities provided for employees which are segregated by explicit directive, or are, in fact, segregated on the basis of race, color, religion, national origin, age or disability, because of habit, local custom, or otherwise. The only exception will be for the disabled when the demands for accessibility override (e.g. disabled parking).

c. The contractor agrees that it has obtained or will obtain identical certification from proposed subcontractors or material suppliers prior to award of subcontracts or consummation of material supply agreements of \$10,000 or more and that it will retain such certifications in its files.

IV. PAYMENT OF PREDETERMINED MINIMUM WAGE

(Applicable to all Federal-aid construction contracts exceeding \$2,000 and to all related subcontracts, except for projects located on roadways classified as local roads or rural minor collectors, which are exempt.)

1. General:

a. All mechanics and laborers employed or working upon the site of the work will be paid unconditionally and not less often than once a week and without subsequent deduction or rebate on any account [except such payroll deductions as are permitted by regulations (29 CFR 3) issued by the Secretary of Labor under the Copeland Act (40 U.S.C. 276c)] the full amounts of wages and bona fide fringe benefits (or cash equivalents thereof) due at time of payment. The payment shall be computed at wage rates not less than those contained in the wage determination of the Secretary of Labor (hereinafter "the wage determination") which is attached hereto and made a part hereof, regardless of any contractual relationship which may be alleged to exist between the

contractor or its subcontractors and such laborers and mechanics. The wage determination (including any additional classifications and wage rates conformed under paragraph 2 of this Section IV and the DOL poster (WH-1321) or Form FHWA-1495) shall be posted at all times by the contractor and its subcontractors at the site of the work in a prominent and accessible place where it can be easily seen by the workers. For the purpose of this Section, contributions made or costs reasonably anticipated for bona fide fringe benefits under Section 1(b)(2) of the Davis-Bacon Act (40 U.S.C. 276a) on behalf of laborers or mechanics are considered wages paid to such laborers or mechanics, subject to the provisions of Section IV, paragraph 3b, hereof. Also, for the purpose of this Section, regular contributions made or costs incurred for more than a weekly period (but not less often than quarterly) under plans, funds, or programs, which cover the particular weekly period, are deemed to be constructively made or incurred during such weekly period. Such laborers and mechanics shall be paid the appropriate wage rate and fringe benefits on the wage determination for the classification of work actually performed, without regard to skill, except as provided in paragraphs 4 and 5 of this Section IV.

b. Laborers or mechanics performing work in more than one classification may be compensated at the rate specified for each classification for the time actually worked therein, provided, that the employer's payroll records accurately set forth the time spent in each classification in which work is performed.

c. All rulings and interpretations of the Davis-Bacon Act and related acts contained in 29 CFR 1, 3, and 5 are herein incorporated by reference in this contract.

2. Classification:

a. The SHA contracting officer shall require that any class of laborers or mechanics employed under the contract, which is not listed in the wage determination, shall be classified in conformance with the wage determination.

b. The contracting officer shall approve an additional classification, wage rate and fringe benefits only when the following criteria have been met:

(1) the work to be performed by the additional classification requested is not performed by a classification in the wage determination;

(2) the additional classification is utilized in the area by the construction industry;

(3) the proposed wage rate, including any bona fide fringe benefits, bears a reasonable relationship to the wage rates contained in the wage determination; and

(4) with respect to helpers, when such a classification prevails in the area in which the work is performed.

c. If the contractor or subcontractors, as appropriate, the laborers and mechanics (if known) to be employed in the additional classification or their representatives, and the contracting officer agree on the classification and wage rate (including the amount designated for fringe benefits where appropriate), a report of the action taken shall be sent by the contracting officer to the DOL, Administrator of the Wage and Hour Division, Employment Standards Administration, Washington, D.C. 20210. The Wage and Hour Administrator, or an authorized representative, will approve, modify, or

disapprove every additional classification action within 30 days of receipt and so advise the contracting officer or will notify the contracting officer within the 30-day period that additional time is necessary.

d. In the event the contractor or subcontractors, as appropriate, the laborers or mechanics to be employed in the additional classification or their representatives, and the contracting officer do not agree on the proposed classification and wage rate (including the amount designated for fringe benefits, where appropriate), the contracting officer shall refer the question, including the views of all interested parties and the recommendation of the contracting officer, to the Wage and Hour Administrator for determination. Said Administrator, or an authorized representative, will issue a determination within 30 days of receipt and so advise the contracting officer or will notify the contracting officer within the 30-day period that additional time is necessary.

e. The wage rate (including fringe benefits where appropriate) determined pursuant to paragraph 2c or 2d of this Section IV shall be paid to all workers performing work in the additional classification from the first day on which work is performed in the classification.

3. Payment of Fringe Benefits:

a. Whenever the minimum wage rate prescribed in the contract for a class of laborers or mechanics includes a fringe benefit which is not expressed as an hourly rate, the contractor or subcontractors, as appropriate, shall either pay the benefit as stated in the wage determination or shall pay another bona fide fringe benefit or an hourly case equivalent thereof.

b. If the contractor or subcontractor, as appropriate, does not make payments to a trustee or other third person, he/she may consider as a part of the wages of any laborer or mechanic the amount of any cost reasonably anticipated in providing bona fide fringe benefits under a plan or program, provided that the Secretary of Labor has found, upon the written request of the contractor, that the applicable standards of the Davis-Bacon Act have been met. The Secretary of Labor may require the contractor to set aside in a separate account assets for the meeting of obligations under the plan or program.

4. Apprentices and Trainees (Programs of the U.S. DOL) and Helpers:

a. Apprentices:

(1) Apprentices will be permitted to work at less than the predetermined rate for the work they performed when they are employed pursuant to and individually registered in a bona fide apprenticeship program registered with the DOL, Employment and Training Administration, Bureau of Apprenticeship and Training, or with a State apprenticeship agency recognized by the Bureau, or if a person is employed in his/her first 90 days of probationary employment as an apprentice in such an apprenticeship program, who is not individually registered in the program, but who has been certified by the Bureau of Apprenticeship and Training or a State apprenticeship agency (where appropriate) to be eligible for probationary employment as an apprentice.

(2) The allowable ratio of apprentices to journeyman-level employees on the job site in any craft classification shall not

be greater than the ratio permitted to the contractor as to the entire work force under the registered program. Any employee listed on a payroll at an apprentice wage rate, who is not registered or otherwise employed as stated above, shall be paid not less than the applicable wage rate listed in the wage determination for the classification of work actually performed. In addition, any apprentice performing work on the job site in excess of the ratio permitted under the registered program shall be paid not less than the applicable wage rate on the wage determination for the work actually performed. Where a contractor or subcontractor is performing construction on a project in a locality other than that in which its program is registered, the ratios and wage rates (expressed in percentages of the journeyman-level hourly rate) specified in the contractor's or subcontractor's registered program shall be observed.

(3) Every apprentice must be paid at not less than the rate specified in the registered program for the apprentice's level of progress, expressed as a percentage of the journeyman-level hourly rate specified in the applicable wage determination. Apprentices shall be paid fringe benefits in accordance with the provisions of the apprenticeship program. If the apprenticeship program does not specify fringe benefits, apprentices must be paid the full amount of fringe benefits listed on the wage determination for the applicable classification. If the Administrator for the Wage and Hour Division determines that a different practice prevails for the applicable apprentice classification, fringes shall be paid in accordance with that determination.

(4) In the event the Bureau of Apprenticeship and Training, or a State apprenticeship agency recognized by the Bureau, withdraws approval of an apprenticeship program, the contractor or subcontractor will no longer be permitted to utilize apprentices at less than the applicable predetermined rate for the comparable work performed by regular employees until an acceptable program is approved.

b. Trainees:

(1) Except as provided in 29 CFR 5.16, trainees will not be permitted to work at less than the predetermined rate for the work performed unless they are employed pursuant to and individually registered in a program which has received prior approval, evidenced by formal certification by the DOL, Employment and Training Administration.

(2) The ratio of trainees to journeyman-level employees on the job site shall not be greater than permitted under the plan approved by the Employment and Training Administration. Any employee listed on the payroll at a trainee rate who is not registered and participating in a training plan approved by the Employment and Training Administration shall be paid not less than the applicable wage rate on the wage determination for the classification of work actually performed. In addition, any trainee performing work on the job site in excess of the ratio permitted under the registered program shall be paid not less than the applicable wage rate on the wage determination for the work actually performed.

(3) Every trainee must be paid at not less than the rate specified in the approved program for his/her level of progress, expressed as a percentage of the journeyman-level hourly rate specified in the applicable wage determination. Trainees shall be paid fringe benefits in accordance with the provisions of the trainee program. If the trainee program does not mention fringe benefits, trainees shall be paid the full amount of fringe benefits

Wage and Hour Division determines that there is an apprenticeship program associated with the corresponding journeyman-level wage rate on the wage determination which provides for less than full fringe benefits for apprentices, in which cases such trainees shall receive the same fringe benefits as apprentices.

(4) In the event the Employment and Training Administration withdraws approval of a training program, the contractor or subcontractor will no longer be permitted to utilize trainees at less than the applicable predetermined rate for the work performed until an acceptable program is approved.

c. Helpers:

Helpers will be permitted to work on a project if the helper classification is specified and defined on the applicable wage determination or is approved pursuant to the conformance procedure set forth in Section IV. 2. Any worker listed on a payroll at a helper wage rate, who is not a helper under a approved definition, shall be paid not less than the applicable wage rate on the wage determination for the classification of work actually performed.

5. Apprentices and Trainees (Programs of the U.S. DOT):

Apprentices and trainees working under apprenticeship and skill training programs which have been certified by the Secretary of Transportation as promoting EEO in connection with Federal-aid highway construction programs are not subject to the requirements of paragraph 4 of this Section IV. The straight time hourly wage rates for apprentices and trainees under such programs will be established by the particular programs. The ratio of apprentices and trainees to journeymen shall not be greater than permitted by the terms of the particular program.

6. Withholding:

The SHA shall upon its own action or upon written request of an authorized representative of the DOL withhold, or cause to be withheld, from the contractor or subcontractor under this contract or any other Federal contract with the same prime contractor or any other Federally-assisted contract subject to Davis-Bacon prevailing wage requirements which is held by the same prime contractor, as much of the accrued payments or advances as may be considered necessary to pay laborers and mechanics, including apprentices, trainee's and helpers, employed by the contractor or any subcontractor the full amount of wages required by the contract. In the event of failure to pay any laborer or mechanic, including any apprentice, trainee, or helper, employed or working on the site of the work, all or part of the wages required by the contract, the SHA contracting officer may, after written notice to the contractor, take such action as may be necessary to cause the suspension of any further payment, advance, or guarantee of funds until such violations have ceased.

7. Overtime Requirements:

No contractor or subcontractor contracting for any part of the contract work which may require or involve the employment of laborers, mechanics, watchmen, or guards (including apprentices, trainees, and helpers described in paragraphs 4 and 5 above) shall require or permit any laborer, mechanic, watchman, or guard in any workweek in which he/she is employed on such work, to work in excess of 40 hours in such workweek unless such laborer, mechanic, watchman, or guard receives compensation at a rate not less than one-and-one-half times his/her basic rate of pay for all hours worked in excess of 40 hours in such workweek.

8. Violation:

Liability for Unpaid Wages; Liquidated Damages: In the event of any violation of the clause set forth in paragraph 7 above, the contractor and any subcontractor responsible thereof shall be liable to the affected employee for his/her unpaid wages. In addition, such contractor and subcontractor shall be liable to the United States (in the case of work done under contract for the District of Columbia or a territory, to such District or to such territory) for liquidated damages. Such liquidated damages shall be computed with respect to each individual laborer, mechanic, watchman, or guard employed in violation of the clause set forth in paragraph 7, in the sum of \$10 for each calendar day on which such employee was required or permitted to work in excess of the standard work week of 40 hours without payment of the overtime wages required by the clause set forth in paragraph 7.

9. Withholding for Unpaid Wages and Liquidated Damages:

The SHA shall; upon its own action or upon written request of any authorized representative of the DOL withhold, or cause to be withheld, from any monies payable on account of work performed by the contractor or subcontractor under any such contract or any other Federal contract with the same prime contractor, or any other Federally-assisted contract subject to the Contract Work Hours and Safety Standards Act, which is held by the same prime contractor, such sums as may be determined to be necessary to satisfy any liabilities of such contractor or subcontractor for unpaid wages and liquidated damages as provided in the clause set forth in paragraph 8 above.

V. STATEMENTS AND PAYROLLS

(Applicable to all Federal-aid construction contracts exceeding \$2,000 and to all related subcontracts, except for projects located on roadways classified as local roads or rural collectors, which are exempt.)

1. Compliance with Copeland Regulations (29 CFR 3):

The contractor shall comply with the Copeland Regulations of the Secretary of Labor which are herein incorporated by reference.

2. Payrolls and Payroll Records:

a. Payrolls and basic records relating thereto shall be maintained by the contractor and each subcontractor during the course of the work and preserved for a period of 3 years from the date of completion of the contract for all laborers, mechanics, apprentices, trainees, watchmen, helpers, and guards working at the site of the work.

b. The payroll records shall contain the name, social security number, and address of each such employee; his or her correct classification; hourly rates of wages paid (including rates of contributions or costs anticipated for bona fide fringe benefits or cash equivalent thereof the types described in Section 1(b)(2)(B) of the Davis Bacon Act); daily and weekly number of hours worked; deductions made; and actual wages paid. In addition, for Appalachian contracts, the payroll records shall contain a notation indicating whether the employee does, or does not, normally reside in the labor area as defined in Attachment A, paragraph 1. Whenever the Secretary of Labor, pursuant to Section IV, paragraph 3b, has found that the wages of any laborer or mechanic include the amount of any costs reasonably anticipated in providing benefits under a plan

or program described in Section 1(b)(2)(B) of the Davis Bacon Act, the contractor and each subcontractor shall maintain records which show that the commitment to provide such benefits is enforceable, that the plan or program is financially responsible, that the plan or program has been communicated in writing to the laborers or mechanics affected, and show the cost anticipated or the actual cost incurred in providing benefits. Contractors or subcontractors employing apprentices or trainees under approved programs shall maintain written evidence of the registration of apprentices and trainees, and ratios and wage rates prescribed in the applicable programs.

c. Each contractor and subcontractor shall furnish, each week in which any contract work is performed, to the SHA resident engineer a payroll of wages paid each of its employees (including apprentices trainees, and helpers, described in Section IV, paragraphs 4 and 5, and watchmen and guards engaged on work during the preceding weekly payroll period).

The payroll submitted shall set out accurately and completely all of the information required to be maintained under paragraph 2b of this Section V.

This information may be submitted in any form desired. Optional Form WH-347 is available for this purpose and may be purchased from the Superintendent of Documents (Federal stock number 029-005-0014-1), U.S. Government Printing Office, Washington, D.C. 20402. The prime contractor is responsible for the submission of copies of payrolls by all subcontractors.

d. Each payroll submitted shall be accompanied by a "Statement of Compliance," signed by the Contractor or subcontractor or his/her agent who pays or supervises the payment of the persons employed under the contract and shall certify the following:

(1) that the payroll for the payroll period contains the information required to be maintained under paragraph 2b of this Section V and that such information is correct and complete;

(2) that such laborer or mechanic (including each helper, apprentice, and trainee) employed on the contract during the payroll period has been paid the full weekly wages earned, without rebate, either directly or indirectly, and that no deductions have been made either directly or indirectly from the full wages earned, other than permissible deductions as set forth in the Regulations, 29 CFR 3;

(3) that each laborer or mechanic has been paid not less than the applicable wage rate and fringe benefits or cash equivalent for the classification of work performed, as specified in the applicable wage determination incorporated into the contract.

e. The weekly submission of a properly executed certification set forth on the reverse side of Optional Form WH-347 shall satisfy the requirement for submission of the "Statement of Compliance" required by paragraph 2d of this Section V.

f. The falsification of any of the above certifications may subject the contractor to civil or criminal prosecution under 18 U/S. C. 1001 and 31 U.S.C. 231.

g. The contractor or subcontractor shall make the records required under paragraph 2b of this Section V available for

inspection, copying, or transcription by authorized representatives of the SHA, the FHWA, or the DOL, and shall permit such representatives to interview employees during working hours on the job. If the contractor or subcontractor fails to submit the required records or to make them available, the SHA, the FHWA, the DOL, or all may, after written notice to the contractor, sponsor, applicant, or owner, take such actions as may be necessary to cause the suspension of any further payment, advance, or guarantee of funds. Furthermore, failure to submit the required records upon request or to make such records available may be grounds for debarment action pursuant to 29 CFR 5.12.

VI. RECORD OF MATERIALS, SUPPLIES, AND LABOR

1. On all federal-aid contracts on the national highway system, except those which provide solely for the installation of protective devices at railroad grade crossings, those which are constructed on a force account or direct labor basis, highway beautification contracts, and contracts for which the total final construction cost for roadway and bridge is less than \$1,000,000 (23 CFR 635) the contractor shall:

- a. Become familiar with the list of specific materials and supplies contained in Form FHWA-47, "Statement of Materials and Labor Used by Contractor of Highway Construction Involving Federal Funds," prior to the commencement of work under this contract.
- b. Maintain a record of the total cost of all materials and supplies purchased for and incorporated in the work, and also of the quantities of those specific materials and supplies listed on Form FHWA-47, and in the units shown on Form FHWA-47.
- c. Furnish, upon the completion of the contract, to the SHA resident engineer on Form FHWA-47 together with the data required in paragraph 1b relative to materials and supplies, a final labor summary of all contract work indicating the total hours worked and the total amount earned.

2. At the prime contractor's option, either a single report covering all contract work or separate reports for the contractor and for each subcontract shall be submitted.

VII. SUBLETTING OR ASSIGNING THE CONTRACT

1. The contractor shall perform with its own organization contract work amounting to not less than 30 percent (or a greater percentage if specified elsewhere in the contract) of the total original contract price, excluding any specialty items designated by the State. Specialty items may be performed by subcontract and the amount of any such specialty items performed may be deducted from the total original contract price before computing the amount of work required to be performed by the contractor's own organization (23 CFR 635).

- a. "Its own organization" shall be construed to include only workers employed and paid directly by the prime contractor and equipment owned or rented by the prime contractor, with or without operators. Such term does not include employees or equipment of a subcontractor, assignee, or agent of the prime contractor.
- b. "Specialty Items" shall be construed to be limited to work that requires highly specialized knowledge, abilities, or equipment not ordinarily available in the type of contracting organizations qualified and expected to bid on the contract as a

whole and in general are to be limited to minor components of the overall contract.

2. The contract amount upon which the requirements set forth in paragraph 1 of Section VII is computed includes the cost of material and manufactured products which are to be purchased or produced by the contractor under the contract provisions.

3. The contractor shall furnish (a) a competent superintendent or supervisor who is employed by the firm, has full authority to direct performance of the work in accordance with the contract requirements, and is in charge of all construction operations (regardless of who performs the work) and (b) such other of its own organizational resources (supervision, management, and engineering services) as the SHA contracting officer determines is necessary to assure the performance of the contract.

4. No portion of the contract shall be sublet, assigned or otherwise disposed of except with the written consent of the SHA contracting officer, or authorized representative, and such consent when given shall not be construed to relieve the contractor of any responsibility for the fulfillment of the contract.

Written consent will be given only after the SHA has assured that each subcontract is evidenced in writing and that it contains all pertinent provisions and requirements of the prime contract.

VIII. SAFETY: ACCIDENT PREVENTION

1. In the performance of this contract the contractor shall comply with all applicable Federal, State, and local laws governing safety, health, and sanitation (23 CFR 635). The contractor shall provide all safeguards, safety devices and protective equipment and take any other needed actions as it determines, or as the SHA contracting officer may determine, to be reasonably necessary to protect the life and health of employees on the job and the safety of the public and to protect property in connection with the performance of the work covered by the contract.

2. It is a condition of this contract, and shall be made a condition of each subcontract, which the contractor enters into pursuant to this contract, that the contractor and any subcontractor shall not permit any employee, in performance of the contract, to work in surroundings or under conditions which are unsanitary, hazardous or dangerous to his/her health or safety, as determined under construction safety and health standards (29 CFR 1926) promulgated by the Secretary of Labor, in accordance with Section 107 of the Contract Work Hours and Safety Standards Act (40 U.S.C. 333).

3. Pursuant to 29 CFR 1926.3, it is a condition of this contract that the Secretary of Labor or authorized representative thereof, shall have right of entry to any site of contract performance to inspect or investigate the matter of compliance with the construction safety and health standards and to carry out the duties of the Secretary under Section 107 of the Contract Work Hours and Safety Standards Act (40 U.S.C. 333).

IX. FALSE STATEMENTS CONCERNING HIGHWAY PROJECTS

In order to assure high quality and durable construction in conformity with approved plans and specifications and a high degree of reliability on statements and representations made by engineers, contractors, suppliers, and workers on Federal-aid highway projects, it is essential that all persons concerned with the project perform their functions as carefully, thoroughly, and honestly as possible. Willful falsification,

distortion, or misrepresentation with respect to any facts related to the project is a violation of Federal law. To prevent any misunderstanding regarding the seriousness of these and similar acts, the following notice shall be posted on each Federal-aid highway project (23 CFR 635) in one or more places where it is readily available to all persons concerned with the project:

NOTICE TO ALL PERSONNEL ENGAGED ON FEDERAL-AID HIGHWAY PROJECTS

18 U.S.C. 1020 reads as follows:

“Whoever, being an officer, agent or employee of the United States, or of any State or Territory, or whoever, whether a person, association, firm, or corporation, knowingly makes any false statement, false representation, or false report as to the character, quality, quantity, or cost of the material used or to be used, or the quantity or quality of the work performed or to be performed, or the cost thereof in connection with the submission of plans, maps, specifications, contracts, or costs of construction on any highway or related project submitted for approval to the Secretary of Transportation; or

Whoever knowingly makes any false statement, false representation, false report or false claim with respect to the character, quality, quantity, or cost of any work performed or to be performed, or materials furnished or to be furnished, in connection with the construction of any highway or related project approved by the Secretary of Transportation; or

Whoever knowingly makes any false statement or false representation as to material fact in any statement, certificate, or report submitted pursuant to provisions of the Federal-aid Roads Act approved July 1, 1916, (39 Stat. 355), as amended and supplemented;

Shall be fined not more than \$10,000 or imprisoned not more than 5 years or both.”

X. IMPLEMENTATION OF CLEAN AIR ACT AND FEDERAL WATER POLLUTION CONTROL ACT

(Applicable to all Federal-aid construction contracts and to all related subcontracts of \$100,000 or more).

By submission of this bid or the execution of this contract, or subcontract, as appropriate, the bidder, Federal-aid construction contractor, or subcontractor, as appropriate, will be deemed to have stipulated as follows:

1. That any facility that is or will be utilized in the performance of this contract, unless such contract is exempt under the Clean Air Act, as amended (42 U.S.C. 1857 et seq., as amended by Pub.L. 91-604), and under the Federal Water Pollution Control Act, as amended (33 U.S.C. 1251 et seq., as amended by Pub.L. 92-500), Executive Order 11738, and regulations in implementation thereof (40 CFR 15) is not listed, on the date of contract award, on the U.S. Environmental Protection Agency (EPA) List of Violating Facilities pursuant to 40 CFR 15.20.

2. That the firm agrees to comply and remain in compliance with all the requirements of Section 114 of the Clean Air Act and Section 308 of the Federal Water Pollution Control Act and all regulations and guidelines listed thereunder.

3. That the firm shall promptly notify the SHA of the receipt of

any communication from the Director, Office of Federal Activities, EPA indicating that a facility that is or will be utilized for the contract is under consideration to be listed on the EPA List of Violating Facilities.

4. That the firm agrees to include or cause to be included the requirements of paragraph 1 through 4 of this Section X in every nonexempt subcontract, and further agrees to take such action as the government may direct as a means of enforcing such requirements.

XI. CERTIFICATION REGARDING DEBARMENT, SUSPENSION, INELIGIBILITY AND VOLUNTARY EXCLUSION

1. Instructions for Certification - Primary Covered Transactions:

(Applicable to all Federal-aid contracts - 49 CFR 29)

a. By signing and submitting this proposal, the prospective primary participant is providing the certification set out below.

b. The inability of a person to provide the certification set out below will not necessarily result in denial of participation in this covered transaction. The prospective participant shall submit an explanation of why it cannot provide the certification set out below. The certification or explanation will be considered in connection with the department or agency's determination whether to enter into this transaction. However, failure of the prospective primary participant to furnish a certification or an explanation shall disqualify such a person from participation in this transaction.

c. The certification in this clause is a material representation of fact upon which reliance was placed when the department or agency determined to enter into this transaction. If it is later determined that the prospective primary participant knowingly rendered an erroneous certification, in addition to other remedies available to the Federal Government, the department or agency may terminate this transaction for cause of default.

d. The prospective primary participant shall provide immediate written notice to the department or agency to whom this proposal is submitted if any time the prospective primary participant learns that its certification was erroneous when submitted or has become erroneous by reason of changed circumstances.

e. The terms “covered transaction,” “debarred,” “suspended,” “ineligible,” “lower tier covered transaction,” “participant,” “person,” “primary covered transaction,” “principal,” “proposal,” and “voluntarily excluded,” as used in this clause, have the meanings set out in the Definitions and Coverage sections of rules implementing Executive Order 12549. You may contact the department or agency to which this proposal is submitted for assistance in obtaining a copy of those regulations.

f. The prospective primary participant agrees by submitting this proposal that, should the proposed covered transaction be entered into, it shall not knowingly enter into any lower tier covered transaction with a person who is debarred, suspended, declared ineligible, or voluntarily excluded from participation in this covered transaction, unless authorized by the department or agency entering into this transaction.

g. The prospective primary participant further agrees by submitting this proposal that it will include the clause titled

"Certification Regarding Debarment, Suspension, Ineligibility and Voluntary Exclusion-Lower Tier Covered Transaction," provided by the department or agency entering into this covered transaction, without modification in all lower tier covered transactions and in all solicitations for lower tier covered transactions.

h. A participant in a covered transaction may rely upon a certification of a prospective participant in a lower tier covered transaction that is not debarred, suspended, ineligible, or voluntarily excluded from the covered transaction, unless it knows that the certification is erroneous. A participant may decide the method and frequency by which it determines the eligibility of its principals. Each participant may, but is not required to, check the nonprocurement portion of the "Lists of Parties Excluded from Federal Procurement or Nonprocurement Programs" (Nonprocurement List) which is compiled by the General Services Administration.

i. Nothing contained in the foregoing shall be construed to require establishment of a system of records in order to render in good faith the certification required by this clause. The knowledge and information of participant is not required to exceed that which is normally possessed by a prudent person in the ordinary course of business dealings.

j. Except for transactions authorized under paragraph f of these instructions, if a participant in a covered transaction knowingly enters into a lower tier covered transaction with a person who is suspended, debarred, ineligible, or voluntarily excluded from participation in this transaction, in addition to other remedies available to the Federal Government, the department or agency may terminate this transaction for cause or default.

Certification Regarding Debarment, Suspension, Ineligibility and Voluntary Exclusion-Primary Covered Transactions

1. The prospective primary participant certifies to the best of its knowledge and belief, that it and its principals:

- a. Are not presently debarred, suspended, proposed for debarment, declared ineligible, or voluntarily excluded from covered transactions by any Federal department or agency;
- b. Have not within a 3-year period preceding this proposal been convicted of or had a civil judgment rendered against them for commission of fraud or a criminal offense in connection with obtaining, attempting to obtain, or performing a public (Federal, State or local) transaction or contract under a public transaction; violation of Federal or State antitrust statutes or commission of embezzlement, theft, forgery, bribery, falsification or destruction of records, making false statements, or receiving stolen property;
- c. Are not presently indicted for or otherwise criminally or civilly charged by a governmental entity (Federal, State or local) with commission of any of the offenses enumerated in paragraph 1b of this certification; and
- d. Have not within a 3-year period preceding this application/proposal had one or more public transactions (Federal, State or local) terminated for cause or default.

2. Where the prospective primary participant is unable to certify to any of the statements in this certification, such prospective participant shall attach an explanation to this proposal.

2. Instructions for Certification - Lower Tier Covered Transactions:

(Applicable to all subcontracts, purchase orders and other lower tier transactions of \$25,000 or more - 49 CFR 29)

- a. By signing and submitting this proposal, the prospective lower tier is providing the certification set out below.
- b. The certification in this clause is a material representation of fact upon which reliance was placed when this transaction was entered into. If it is later determined that the prospective lower tier participant knowingly rendered an erroneous certification, in addition to other remedies available to the Federal Government, the department, or agency with which this transaction originated may pursue available remedies, including suspension and/or debarment.
- c. The prospective lower tier participant shall provide immediate written notice to the person to which this proposal is submitted if at any time the prospective lower tier participant learns that its certification was erroneous by reason of changed circumstances.
- d. The terms "covered transaction," "debarred," "suspended," "ineligible," "primary covered transaction," "participant," "person," "principal," "proposal," and "voluntarily excluded," as used in this clause, have the meanings set out in the Definitions and Coverage sections of rules implementing Executive Order 12549. You may contact the person to which this proposal is submitted for assistance in obtaining a copy of those regulations.
- e. The prospective lower tier participant agrees by submitting this proposal that, should the proposed covered transaction be entered into, it shall not knowingly enter into any lower tier covered transaction with a person who is debarred, suspended, declared ineligible, or voluntarily excluded from participation in this covered transaction, unless authorized by the department or agency with which this transaction originated.
- f. The prospective lower tier participant further agrees by submitting this proposal that it will include this clause titled "Certification Regarding Debarment, Suspension, Ineligibility and Voluntary Exclusion-Lower Tier Covered Transaction," without modification, in all lower tier covered transactions and in all solicitations for lower tier covered transactions.
- g. A participant in a covered transaction may rely upon a certification of a prospective participant in a lower tier covered transaction that is not debarred, suspended, ineligible, or voluntarily excluded from the covered transaction, unless it knows that the certification is erroneous. A participant may decide the method and frequency by which it determines the eligibility of its principals. Each participant may, but is not required to, check the Nonprocurement List.
- h. Nothing contained in the foregoing shall be construed to require establishment of a system of records in order to render in good faith the certification required by this clause. The knowledge and information of participant is not required to exceed that which is normally possessed by a prudent person in the ordinary course of business dealing.
- i. Except for transactions authorized under paragraph e of these instructions, if a participant in a covered transaction knowingly enters into a lower tier covered transaction with a person who is suspended, debarred, ineligible, or voluntarily

excluded from participation in this transaction, in addition to other remedies available to the Federal Government, the department or agency with which this transaction originated may pursue available remedies, including suspension and/or debarment.

Certification Regarding Debarment, Suspension, Ineligibility And Voluntary Exclusion-Lower Tier Covered Transactions:

1. The prospective lower tier participant certifies, by submission of this proposal, that neither it nor its principals is presently debarred, suspended, proposed for debarment, declared ineligible, or voluntarily excluded from participation in this transaction by any Federal department or agency.

2. Where the prospective lower tier participant is unable to certify to any of the statements in this certification, such prospective participant shall attach an explanation to this proposal.

XII. CERTIFICATION REGARDING USE OF CONTRACT FUNDS FOR LOBBYING

(Applicable to all Federal-aid construction contracts and to all related subcontracts which exceed \$100,000 - 49 CFR 20)

1. The prospective participant certifies, by signing and submitting this bid or proposal, to the best of his or her knowledge and belief, that:

a. No Federal appropriated funds have been paid or will be paid, by or on behalf of the undersigned, to any person for influencing or attempting to influence an officer or employee of any Federal agency, a Member of Congress, an officer or employee of Congress, or an employee of a Member of Congress in connection with the awarding of any Federal contract, the making of any Federal grant, the making of any Federal loan, the entering into of any cooperative agreement, and the extension, continuation, renewal, amendment, or modification of any Federal contract, grant, loan, or cooperative agreement.

b. If any funds other than Federal appropriated funds have been paid or will be paid to any person for influencing or attempting to influence an officer or employee of any Federal agency, a Member of Congress, an officer or employee of Congress, or an employee of a Member of Congress in connection with this Federal contract, grant, loan, or cooperative agreement, the undersigned shall complete and submit Standard Form-LLL, "Disclosure Form to Report Lobbying," in accordance with its instructions.

2. This certification is a material representation of fact upon which reliance was placed when this transaction was made or entered into. Submission of this certification is a prerequisite for making or entering into this transaction imposed by 31 U.S.C. 1352. Any person who fails to file the required certification shall be subject to a civil penalty of not less than \$10,000 and not more than \$100,000 for each such failure.

3. The prospective participant also agrees by submitting his or her bid or proposal that he or she shall require that the language of this certification be included in all lower tier subcontracts, which exceed \$100,000 and that all such recipients shall certify and disclose accordingly.

MINIMUM WAGES FOR FEDERAL AND FEDERALLY ASSISTED CONSTRUCTION CONTRACTS

This project is funded, in part, with Federal-aid funds and, as such, is subject to the provisions of the Davis-Bacon Act of March 3, 1931, as amended (46 Sta. 1494, as amended, 40 U.S.C. 276a) and of other Federal statutes referred to in a 29 CFR Part 1, Appendix A, as well as such additional statutes as may from time to time be enacted containing provisions for the payment of wages determined to be prevailing by the Secretary of Labor in accordance with the Davis-Bacon Act and pursuant to the provisions of 29 CFR Part 1. The prevailing rates and fringe benefits shown in the General Wage Determination Decisions issued by the U.S. Department of Labor shall, in accordance with the provisions of the foregoing statutes, constitute the minimum wages payable on Federal and federally assisted construction projects to laborers and mechanics of the specified classes engaged on contract work of the character and in the localities described therein.

General Wage Determination Decisions, modifications and supersedes decisions thereto are to be used in accordance with the provisions of 29 CFR Parts 1 and 5. Accordingly, the applicable decision, together with any modifications issued, must be made a part of every contract for performance of the described work within the geographic area indicated as required by an applicable DBRA Federal prevailing wage law and 29 CFR Part 5. The wage rates and fringe benefits contained in the General Wage Determination Decision

NOTICE

The most current **General Wage Determination Decisions** (wage rates) are available on the IDOT web site. They are located on the Letting and Bidding page at <http://www.dot.il.gov/desenv/delett.html>.

In addition, ten (10) days prior to the letting, the applicable Federal wage rates will be e-mailed to subscribers. It is recommended that all contractors subscribe to the Federal Wage Rates List or the Contractor's Packet through IDOT's subscription service.

PLEASE NOTE: if you have already subscribed to the Contractor's Packet you will automatically receive the Federal Wage Rates.

The instructions for subscribing are at <http://www.dot.il.gov/desenv/subsc.html>.

If you have any questions concerning the wage rates, please contact IDOT's Chief Contract Official at 217-782-7806.