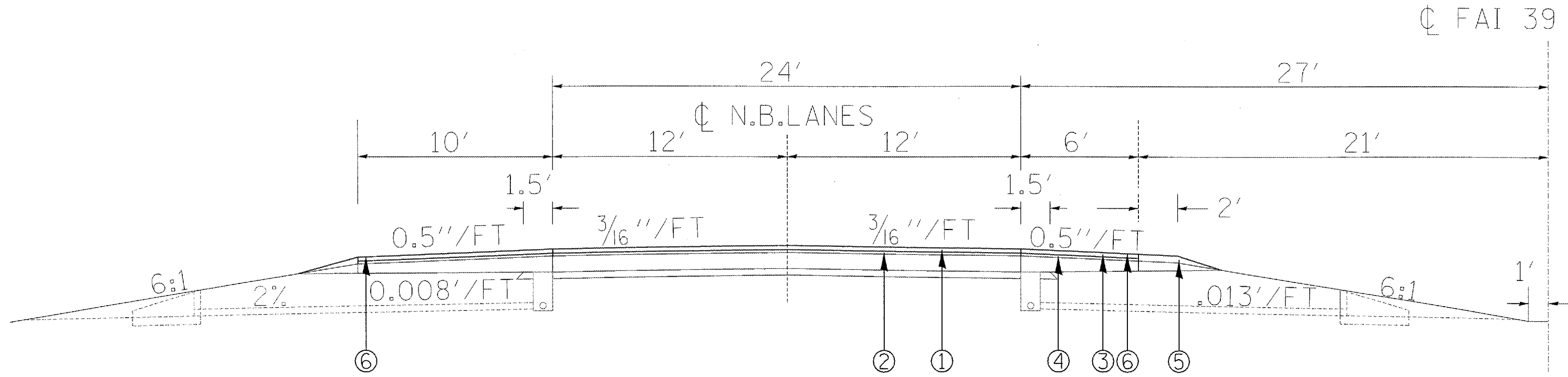


F.A.P. RTE.	SECTION	COUNTY	TOTAL SHEETS	SHEET NO.
*	1102-2.31RS	WOODFORD	15	5
STA.		TO STA.		
FED. ROAD DIST. NO.	ILLINOIS	FED. AID PROJECT		
* FAP 412 ROUTE 1-39/US51				



- ① PROPOSED POLYMERIZED HOT-MIX ASPHALT SURFACE COURSE, MIX "E", N105, 1.5"
- ② PROPOSED POLYMERIZED HOT-MIX ASPHALT BINDER COURSE, IL-19.0, N105, 2.25"
- ③ PROPOSED HOT-MIX ASPHALT SURFACE COURSE, MIX "C", N50, 1.5"
- ④ PROPOSED HOT-MIX ASPHALT BINDER COURSE, IL-19.0, N50, 2.25"
- ⑤ PROPOSED AGGREGATE SHOULDERS, TYPE B
- ⑥ SHOULDER RUMPLE STRIP

REVISIONS	
NAME	DATE

ILLINOIS DEPARTMENT OF TRANSPORTATION

**S.B.**

**TYPICAL SECTION**

SCALE: VERT.      DRAWN BY  
 HORIZ.              CHECKED BY  
 DATE