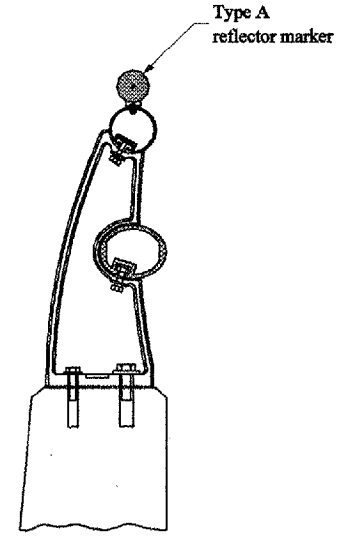
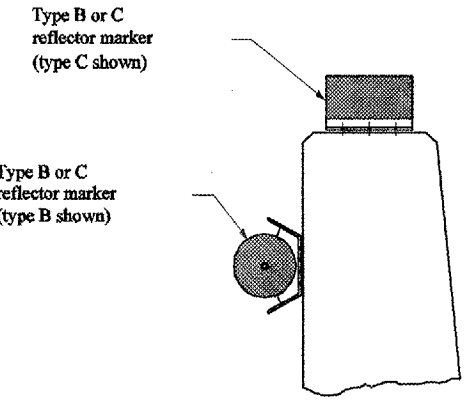


F.A.P. RTE.	SECTION	COUNTY	TOTAL SHEETS	SHEET NO.
687	*	Fulton	37	26
STA.		TO STA.		
FED. ROAD DIST. NO.	ILLINOIS	FED. AID PROJECT		

* D4 CULVERT EXT/ REPAIR 2007

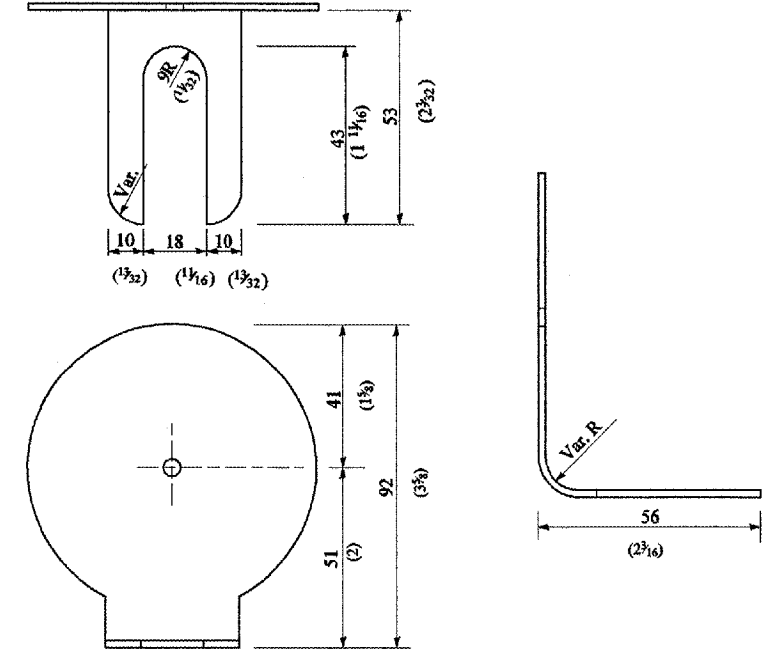


TYPICAL MOUNTING DETAIL FOR BRIDGE RAIL REFLECTOR

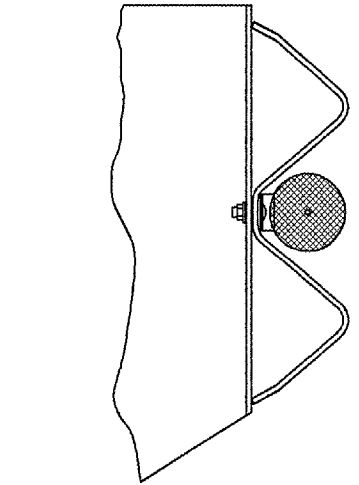


REFLECTOR MOUNTING

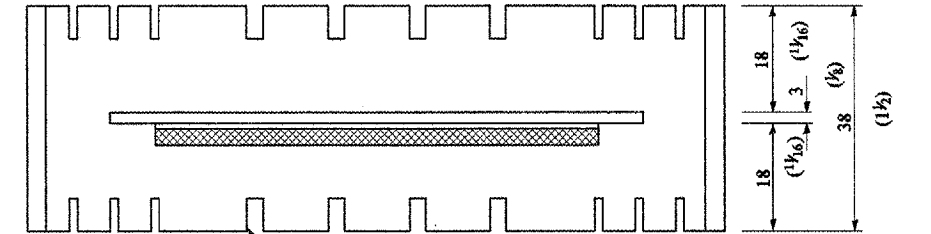
TYPICAL MOUNTING DETAIL FOR BARRIER WALL REFLECTOR



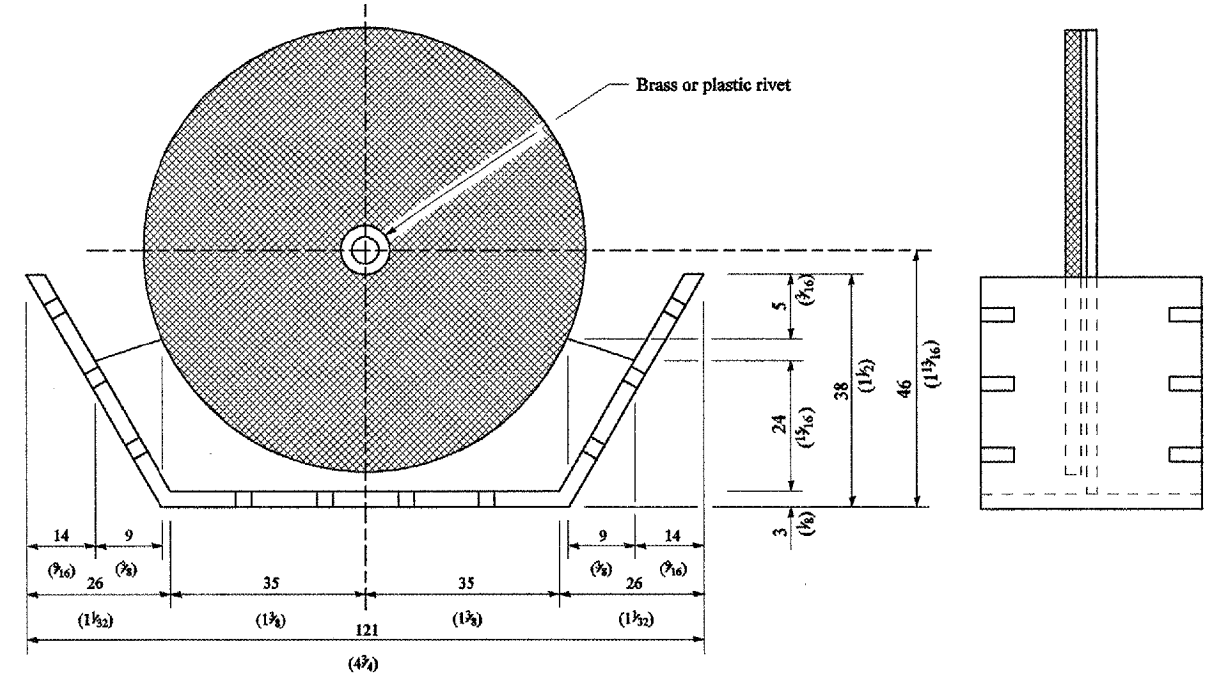
REFLECTOR MARKER TYPE A



TYPICAL GUARDRAIL MOUNTING WITH REFLECTOR MARKER TYPE A

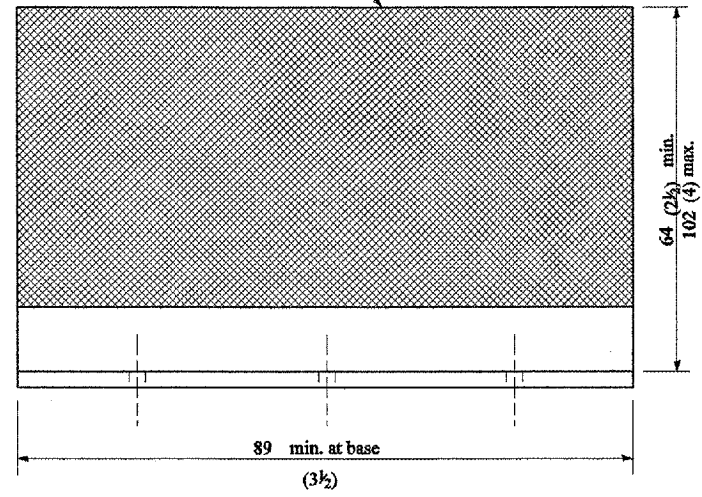


Adhesive weep slots or holes equally spaced on both sides

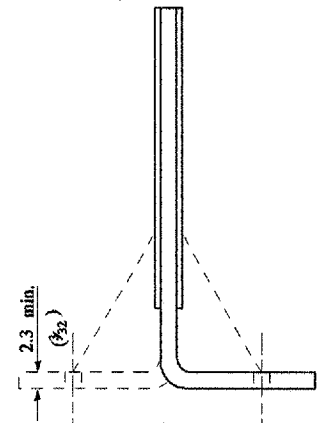


REFLECTOR MARKER TYPE B

Min. reflective area 4,194 mm² (6 1/2 Sq. in.) each side. May be rectangular or slight trapezoid.

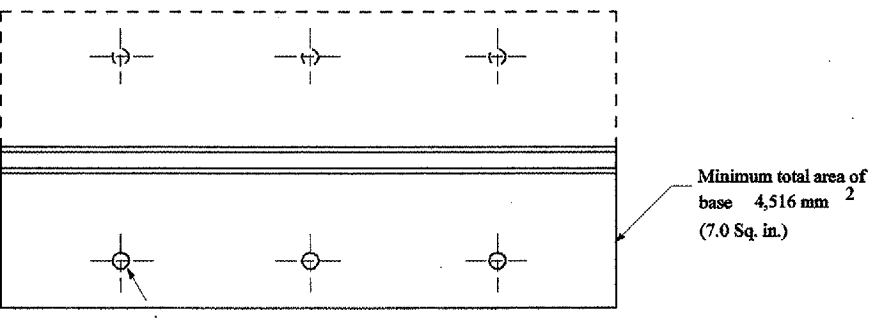


REFLECTOR MARKER TYPE C



Cross section may be "T" or "L" shaped and may have side supports at ends.

REFLECTORS



All dimensions are in millimeters (inches) unless otherwise noted.

ILLINOIS DEPARTMENT OF TRANSPORTATION	
DISTRICT CADD STANDARD	
GUARDRAIL AND BARRIER WALL DELINEATION	
CADD STD. NO. 635101-D4	SHEET 3 OF 3
SCALE: NOT DRAWN TO SCALE	DRAWN BY CADD CHECKED BY