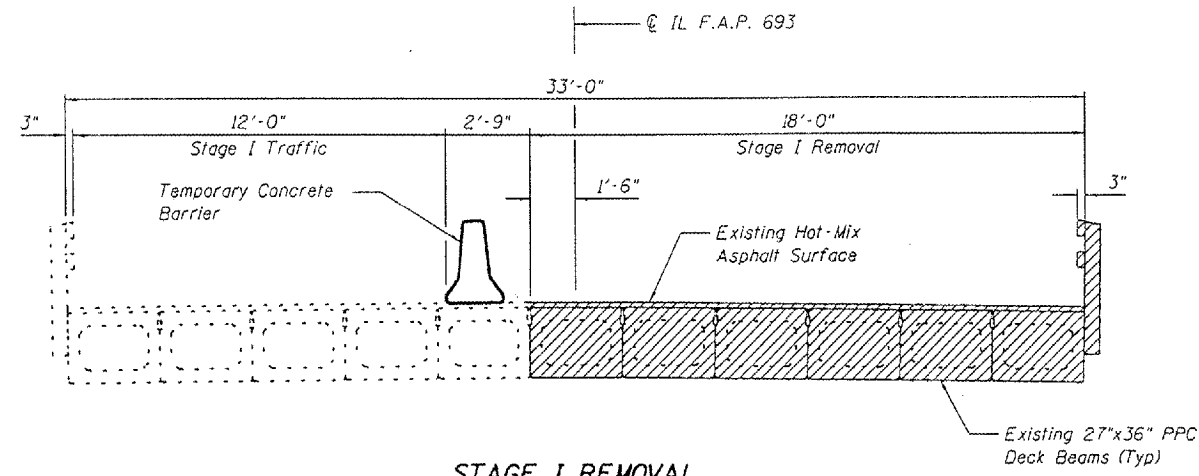
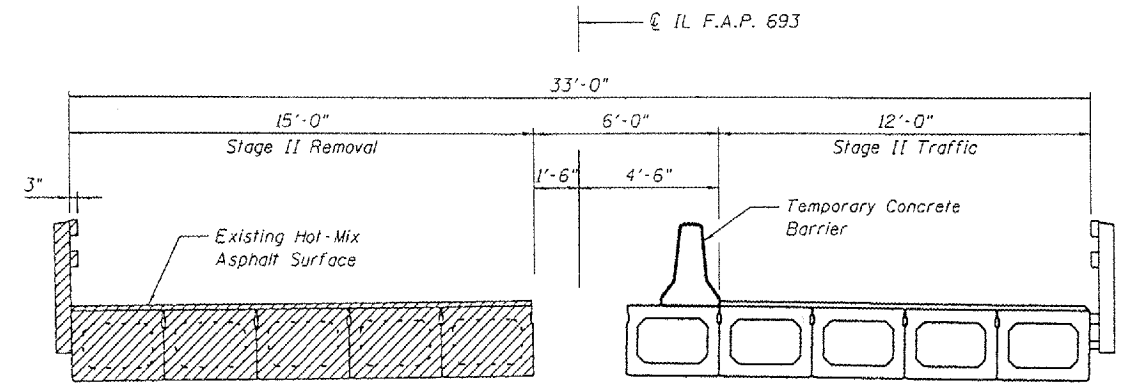


STATE OF ILLINOIS
DEPARTMENT OF TRANSPORTATION

ROUTE NO.	ACTION	COUNTY	TOTAL SHEETS	SHEET NO.	SHEET NO. 2 14 SHEETS
F.A.P. 693	(119B-3)I	TAZEWELL	33	11	
FED. ROAD DIST. NO. 7	ILLINOIS	FED. AID PROJECT	Contract # 68415		

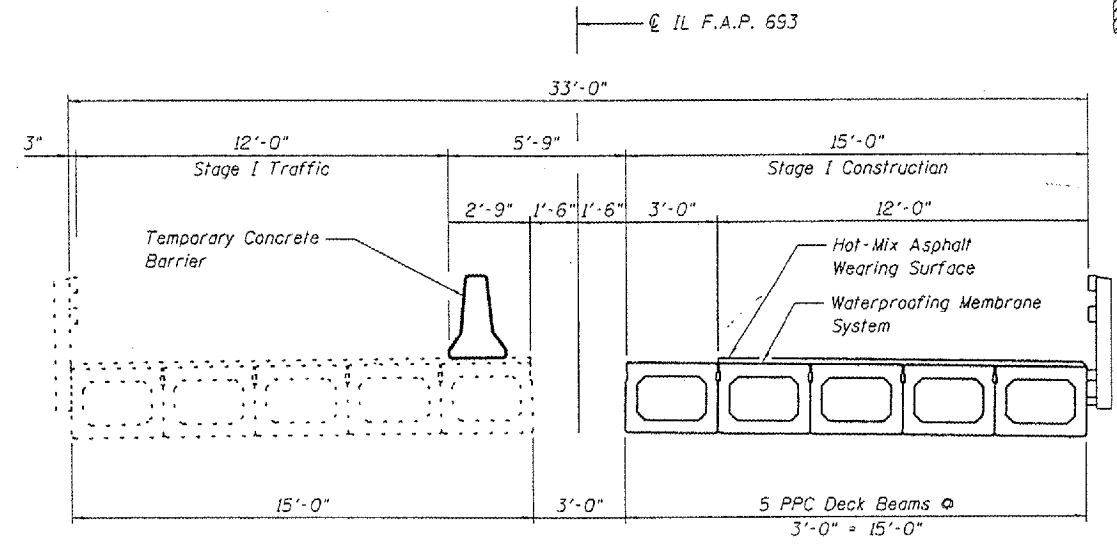


STAGE I REMOVAL
(LOOKING UPSTATION)

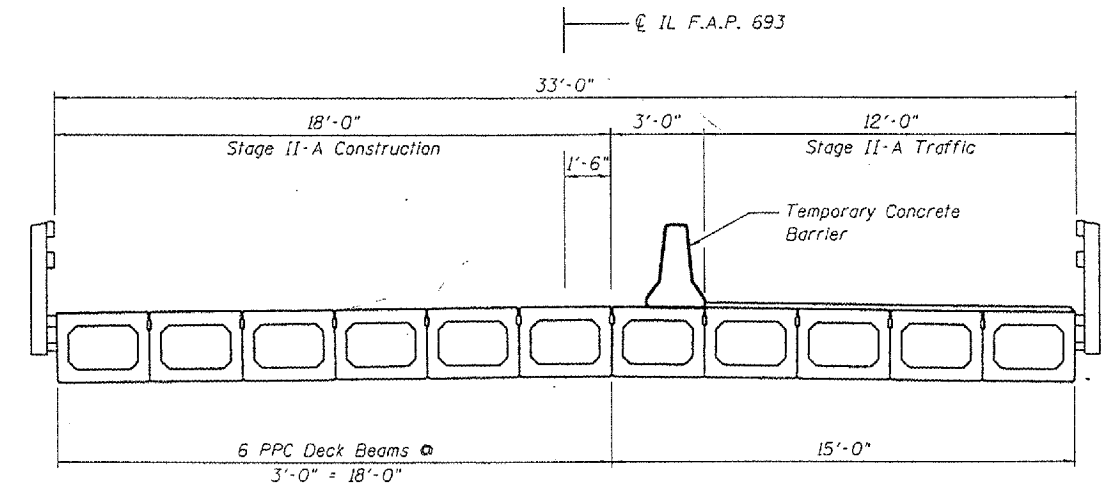


STAGE II REMOVAL
(LOOKING UPSTATION)

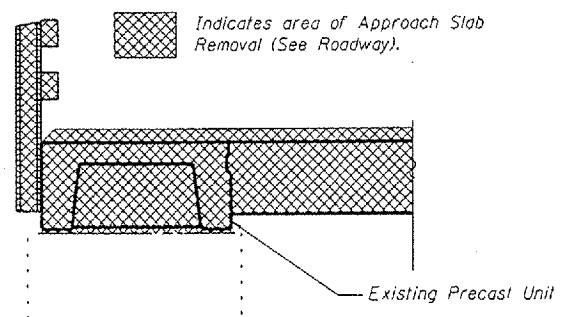
Indicates Removal of Existing Superstructures



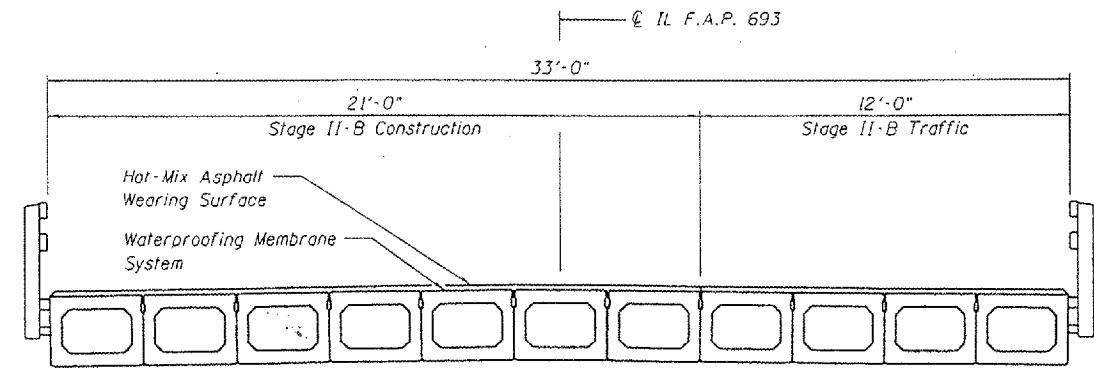
STAGE I CONSTRUCTION
(LOOKING UPSTATION)



STAGE II-A CONSTRUCTION
(LOOKING UPSTATION)



TYPICAL APPROACH REMOVAL SECTION



STAGE II-B CONSTRUCTION
(LOOKING UPSTATION)

Notes:
For details of Temporary Concrete Barrier and limits of Waterproofing Membrane System, see Sheet 3 of 14.

STAGE CONSTRUCTION
ILLINOIS ROUTE 9 OVER
PRAIRIE CREEK
F.A.P. ROUTE 693 SECTION (119B-3)I
TAZEWELL COUNTY
SN 090-0061

DESIGNED	BWP	THOUVENOT, WADE & MOERCHEN, INC. ENGINEERS - SURVEYORS - PLANNERS CORPORATE OFFICE 4940 OLD COLLINGSVILLE RD. SPANGLA, ILLINOIS 62226 TEL: 618/387-4488 FAX: 618/387-6888 E-MAIL: GWP@TWM-INC.COM
CHECKED	ALN	
DRAWN	BWP	
CHECKED	KPC	