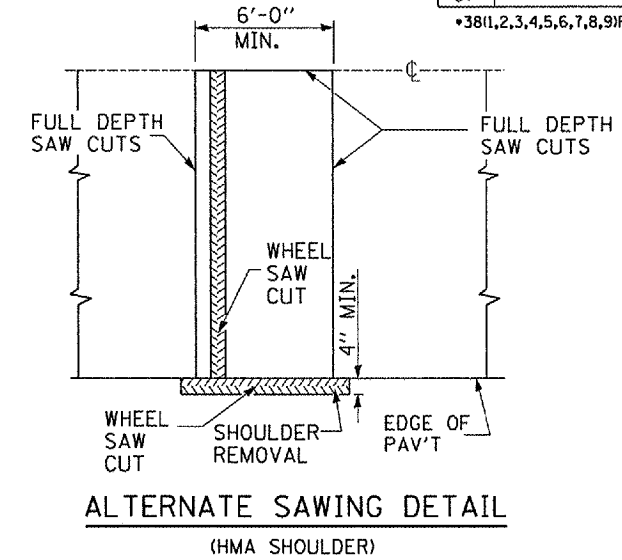
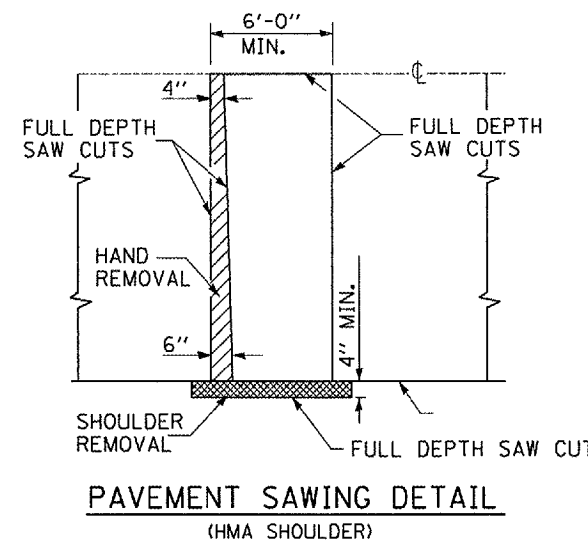
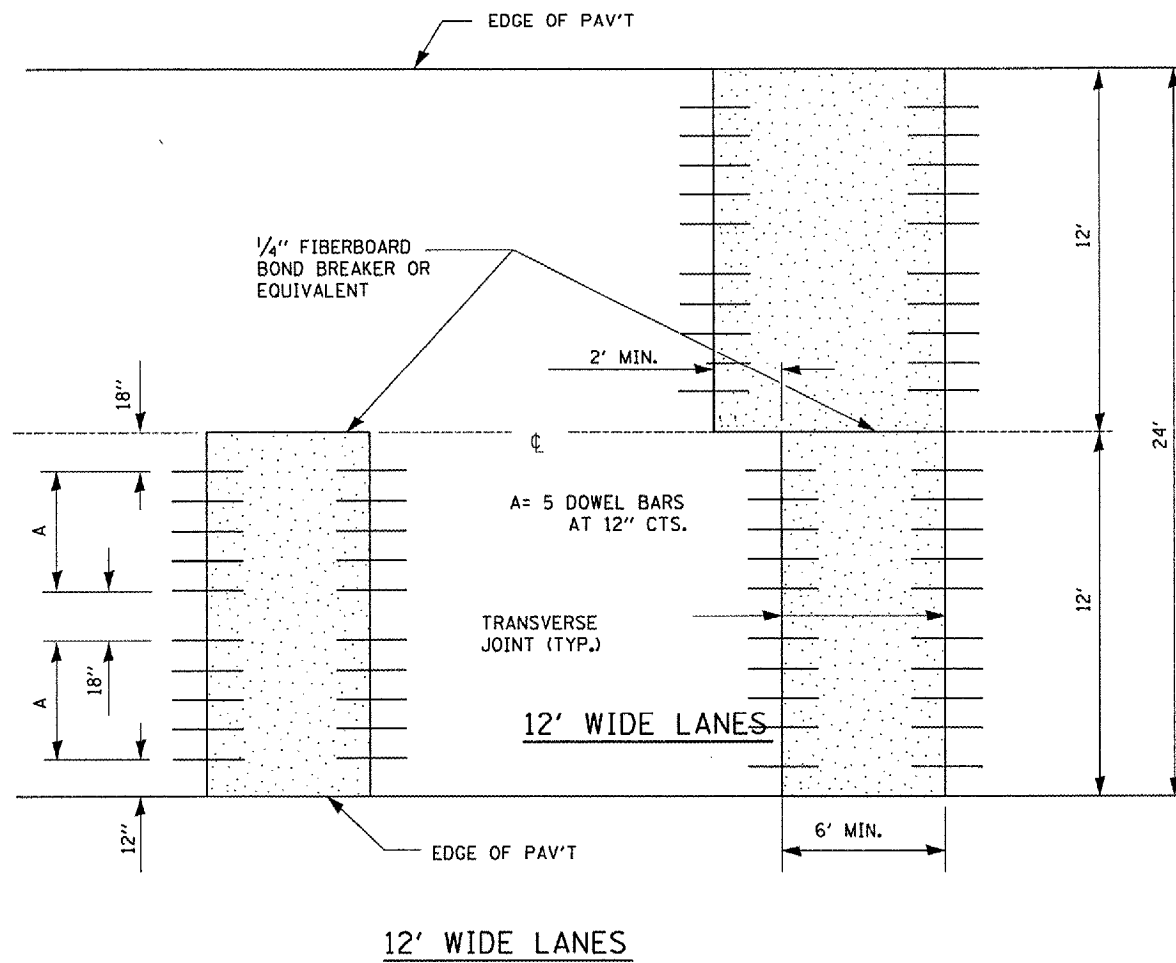
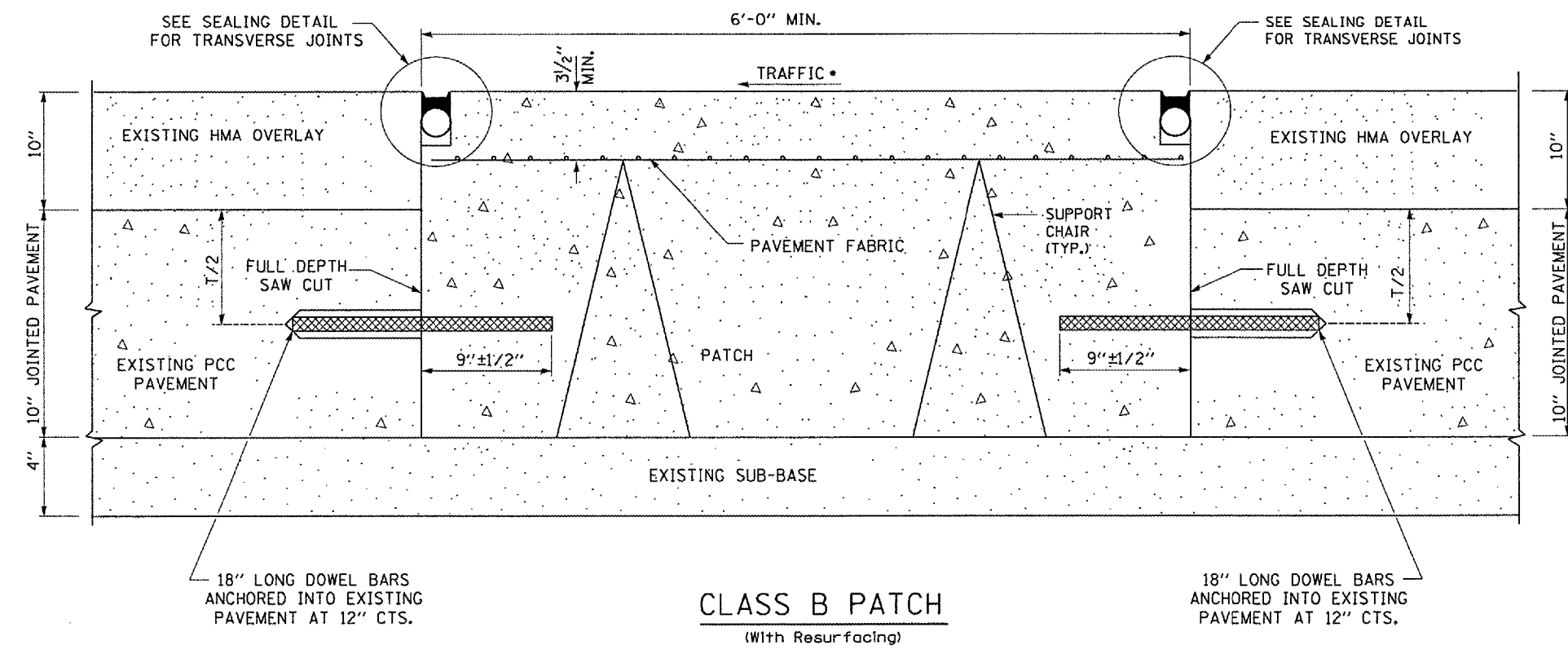
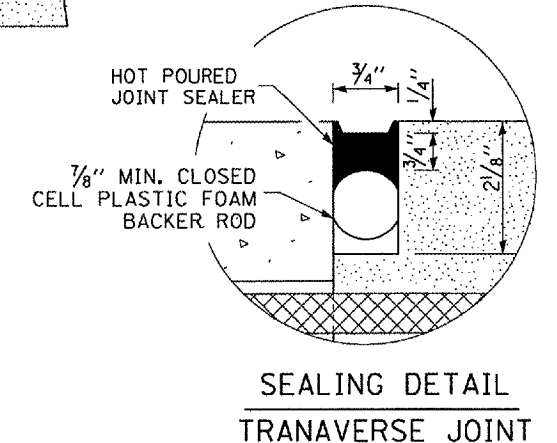
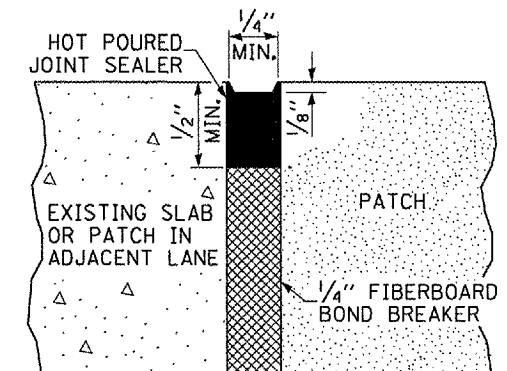


F.A.I. RTE.	SECTION	COUNTY	TOTAL SHEETS	SHEET NO.
57		IROQUOIS	17	16

*38(1,2,3,4,5,6,7,8,9)PATCHING



PAVEMENT THICKNESS	DOWEL BAR DIAMETER	HOLE DIAMETER
8" OR GREATER	1 1/2"	1 5/8"
7" THRU 7.99"	1 1/4"	1 3/8"
LESS THAN 7"	1"	1 1/8"



GENERAL NOTES

THE TRANSVERSE JOINTS FOR CLASS PATCHES SHALL ALIGN WITH JOINTS OR CRACKS IN THE ADJACENT LANE WHENEVER POSSIBLE.

SEE STANDARD 420701 FOR DETAILS OF PAVEMENT FABRIC.

REVISIONS	
NAME	DATE

ILLINOIS DEPARTMENT OF TRANSPORTATION
CLASS B PATCHING DETAILS
 FAI ROUTE 57 (I-57)
 SECTION 38(1,2,3,4,5,6,7,8,9)PATCHING
 IROQUOIS COUNTY

Date: MARCH 5, 2007
 C:\projects\main08\cm307\details.dgn