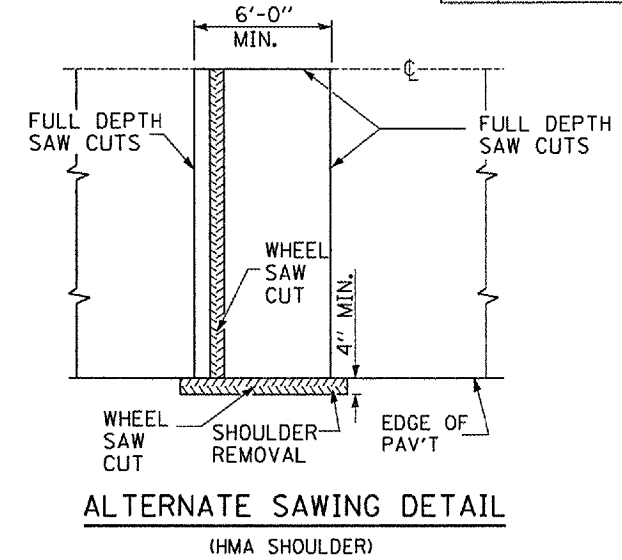
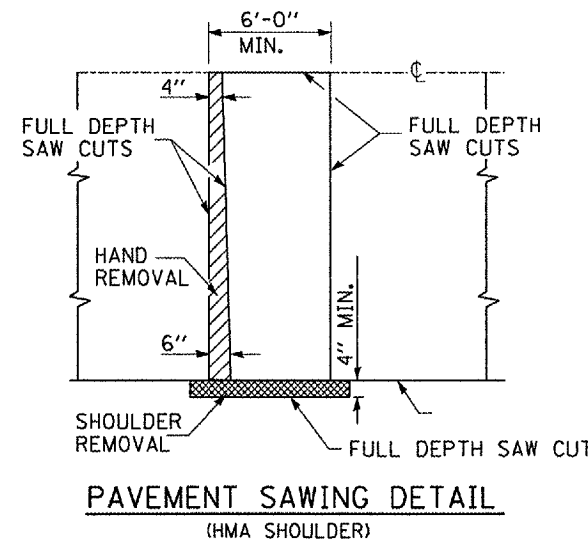
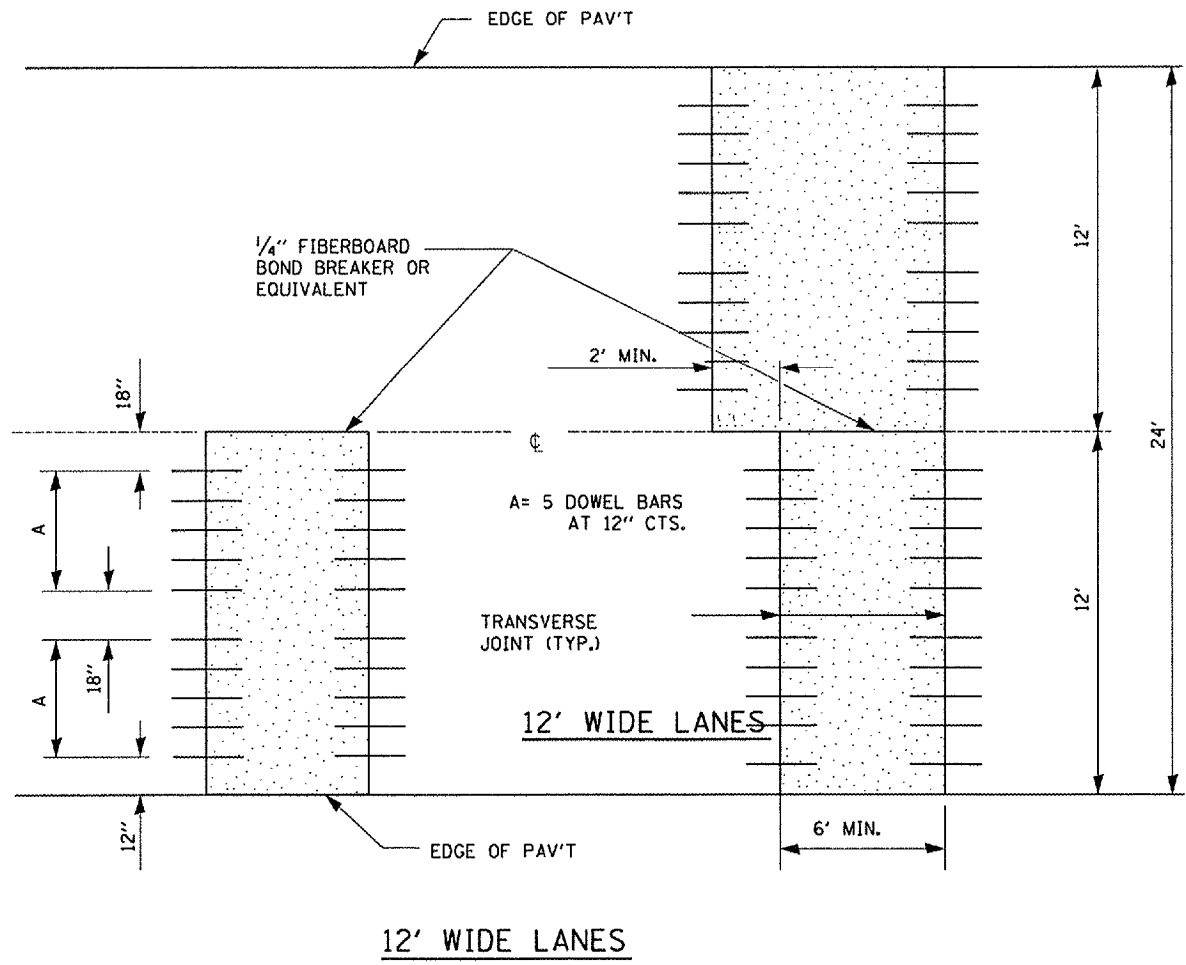
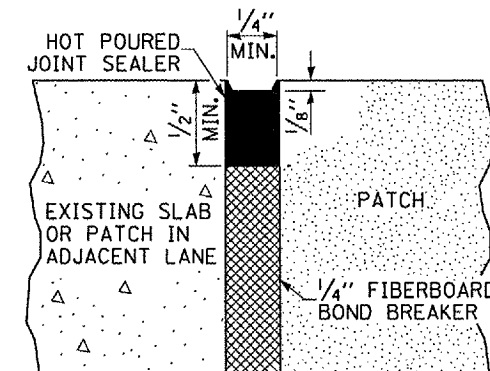


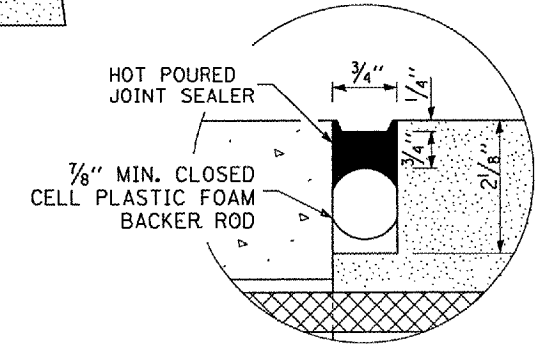
F.A.I. RTE.	SECTION	COUNTY	TOTAL SHEETS	SHEET NO.
80	(50-2)PATCHING	LASALLE	15	14



PAVEMENT THICKNESS	DOWEL BAR DIAMETER	HOLE DIAMETER
8" OR GREATER	1/2"	1 5/8"
7" THRU 7.99"	1/4"	1 3/8"
LESS THAN 7"	1"	1 1/8"



**SEALING DETAIL CENTERLINE JOINT**



**SEALING DETAIL TRANSVERSE JOINT**

**GENERAL NOTES**

THE TRANSVERSE JOINTS FOR CLASS PATCHES SHALL ALIGN WITH JOINTS OR CRACKS IN THE ADJACENT LANE WHENEVER POSSIBLE.

SEE STANDARD 420701 FOR DETAILS OF PAVEMENT FABRIC.

REVISIONS	
NAME	DATE

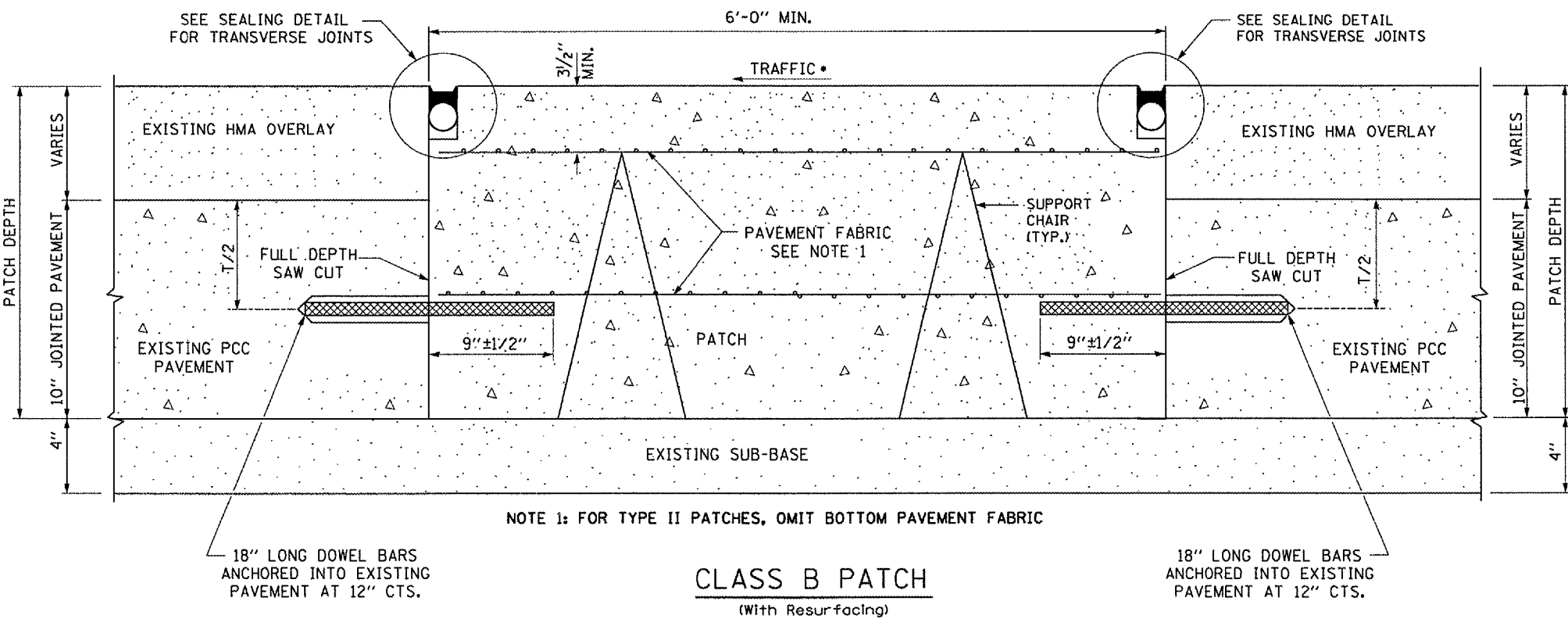
ILLINOIS DEPARTMENT OF TRANSPORTATION

**CLASS B PATCHING DETAILS**

FAI ROUTE 80 (I-80)

SECTION (50-2)PATCHING

LASALLE COUNTY



Date: February 22, 2007  
 c:\projects\cm302\details.dgn