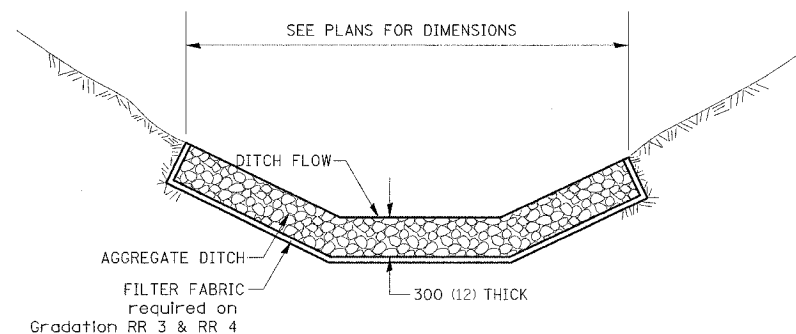


AGGREGATE DITCH FOR FLEXIBLE DITCH LINING



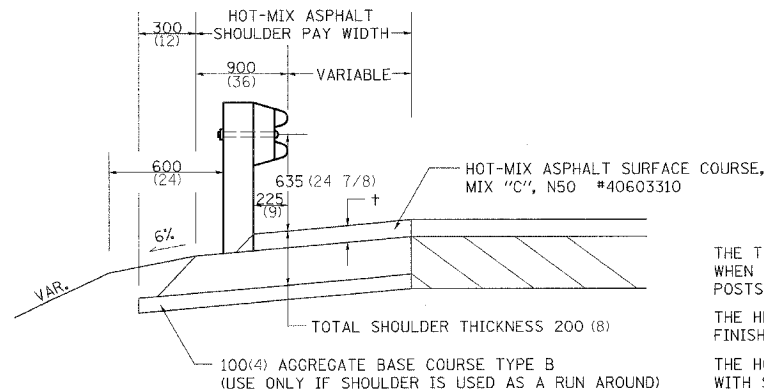
CLASS A4 WILL BE REQUIRED ON THIS PROJECT AT THE LOCATION SHOWN ON THE PLANS. THIS WORK SHALL BE DONE IN ACCORDANCE WITH SECTION 283. AGGREGATE DITCH WILL BE MEASURED FOR PAYMENT IN PLACE AND THE AREA COMPUTED IN SQUARE METERS (SQUARE YARD) OF ACTUAL SURFACE AREA. AGGREGATE DITCH WILL BE PAID FOR AT THE CONTRACT UNIT PRICE PER SQUARE METER (SQUARE YARD) FOR AGGREGATE DITCH, 300 mm (12").

ALL DIMENSIONS ARE IN MILLIMETERS (INCHES) UNLESS OTHERWISE NOTED.

AGGREGATE DITCH FOR FLEXIBLE DITCH LINING 21.4

REVISED 10-06-06

DETAIL OF HOT-MIX ASPHALT SHOULDER AT GUARD RAIL



+ = SEE TYPICAL SECTIONS FOR THICKNESS

GENERAL NOTES

THE TOP LIFT SHALL NOT BE PLACED BEHIND THE GUARDRAIL POSTS. WHEN PLACING THE TOP LIFT THE RAIL MUST BE REMOVED FROM THE POSTS. THE POST SHALL NOT BE REMOVED.

THE HEIGHT OF THE GUARD RAIL SHALL BE SET **525 (21)** FROM THE FINISHED SURFACE.

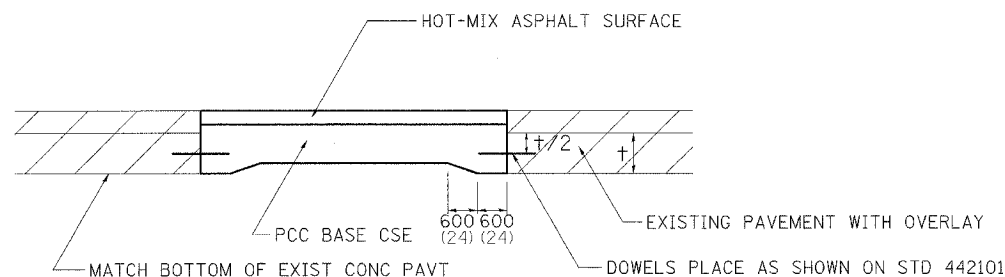
THE HOT-MIX ASPHALT SHOULDER SHALL BE CONSTRUCTED IN ACCORDANCE WITH SECTION 482 EXCEPT THE TOP LIFT SHALL BE HOT-MIX ASPHALT SURFACE COURSE, MIXTURE C, N50. THE WORK WILL BE PAID FOR AT THE CONTRACT UNIT PRICE PER TON FOR HOT-MIX ASPHALT SURFACE COURSE, MIXTURE "C", N50 AND SQUARE METER (SQUARE YARD) FOR HOT-MIX ASPHALT SHOULDERS OF THE THICKNESS SPECIFIED. THE REMOVAL & REINSTALLATION OF THE GUARDRAIL WILL BE INCLUDED IN THE COST OF THE HOT-MIX ASPHALT SURFACE COURSE, MIXTURE C, N50.

ALL DIMENSIONS ARE IN MILLIMETERS (INCHES) UNLESS OTHERWISE NOTED.

DETAIL OF HOT-MIX ASPHALT SHOULDER AT GUARD RAIL 23.4

REVISED 10-06-06

PORTLAND CEMENT CONCRETE BASE COURSE DETAIL



GENERAL NOTES

THE LONGITUDINAL JOINT & BASE COURSE SHALL BE CONSTRUCTED IN ACCORDANCE WITH STD 353001.

PAVEMENT FABRIC SHALL BE PLACED IN ACCORDANCE WITH STANDARD 420601.

THE BASE COURSE SHALL BE TIED TO THE EXISTING PAVEMENT AS SHOWN WITH DOWEL BARS AS SHOWN IN STANDARD 442101. THIS COST TO BE INCLUDED IN THE COST OF THE BASE COURSE.

ALL DIMENSIONS ARE IN MILLIMETERS (INCHES) UNLESS OTHERWISE NOTED.

TABLE OF BARS

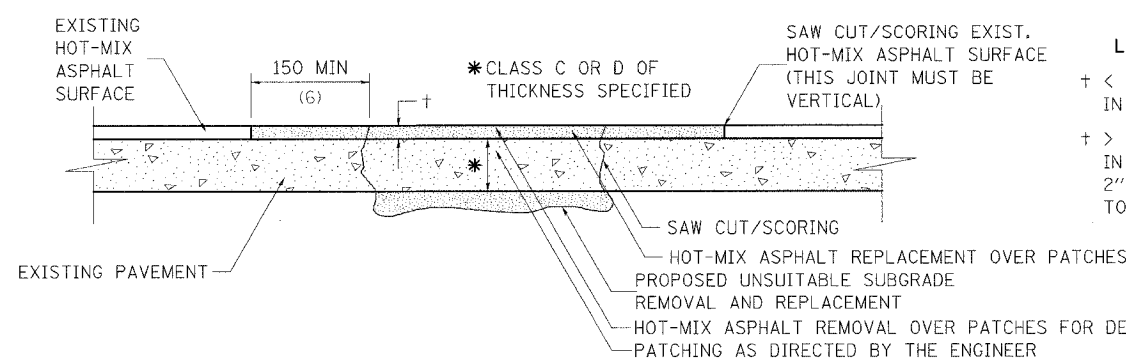
PAVEMENT THICKNESS	DOWEL BAR DIAMETER	HOLE DIAMETER
200 or greater (8)	38 (1 1/2)	41 (1 5/8)
180 thru 199 (7) (7.99)	32 (1 1/4)	35 (1 3/8)
Less than 180 (7)	25 (1)	29 (1 1/8)

10 BARS FOR 12' PAVEMENT
12 BARS FOR 14' PAVEMENT
14 BARS FOR 16' PAVEMENT

PORTLAND CEMENT CONCRETE BASE COURSE DETAIL 24.4

REVISED 10-10-06

PAVEMENT PATCHING FOR HOT-MIX ASPHALT SURFACED PAVEMENT



LIFT PLACEMENT:

+ < 4" MAY BE PLACED IN ONE LIFT.

+ > 4" TO BE PLACED IN TWO LIFTS WITH 2" MIN. COMPACTED TOP LIFT.

SEQUENCE OF CONSTRUCTION:

1. REMOVE THE EXISTING HOT-MIX ASPHALT SURFACE.
2. RESIDENT ENGINEER WILL DETERMINE IF LOCATION IS TO BE PATCHED OR TO ONLY REPLACE HOT-MIX ASPHALT SURFACE.
3. REMOVE AND REPLACE FULL DEPTH PATCHES AT LOCATIONS DIRECTED BY THE ENGINEER.
4. REPLACE HOT-MIX ASPHALT SURFACE OVER FULL DEPTH PATCHES AND AT LOCATIONS OF HOT-MIX ASPHALT SURFACE REMOVAL.

GENERAL NOTES:

1. THE WIDTH OF THE FULL DEPTH PATCH OVER A TRENCH SHALL BE 300 (12) WIDER ON EACH SIDE OF THE TRENCH.

2. FOR BASIS OF PAYMENT: SEE SPECIAL PROVISION "PATCHING WITH HOT-MIX ASPHALT OVERLAY REMOVAL".

ALL DIMENSIONS ARE IN MILLIMETERS (INCHES) UNLESS OTHERWISE NOTED.

PAVEMENT PATCHING FOR HOT-MIX ASPHALT SURFACED PAVEMENT 32.4

REVISED 10-10-06

PLOT DATE = 12/7/2006
 FILE NAME = 0FILEL0
 PLOT SCALE = 1:500
 REFERENCE = WEP*