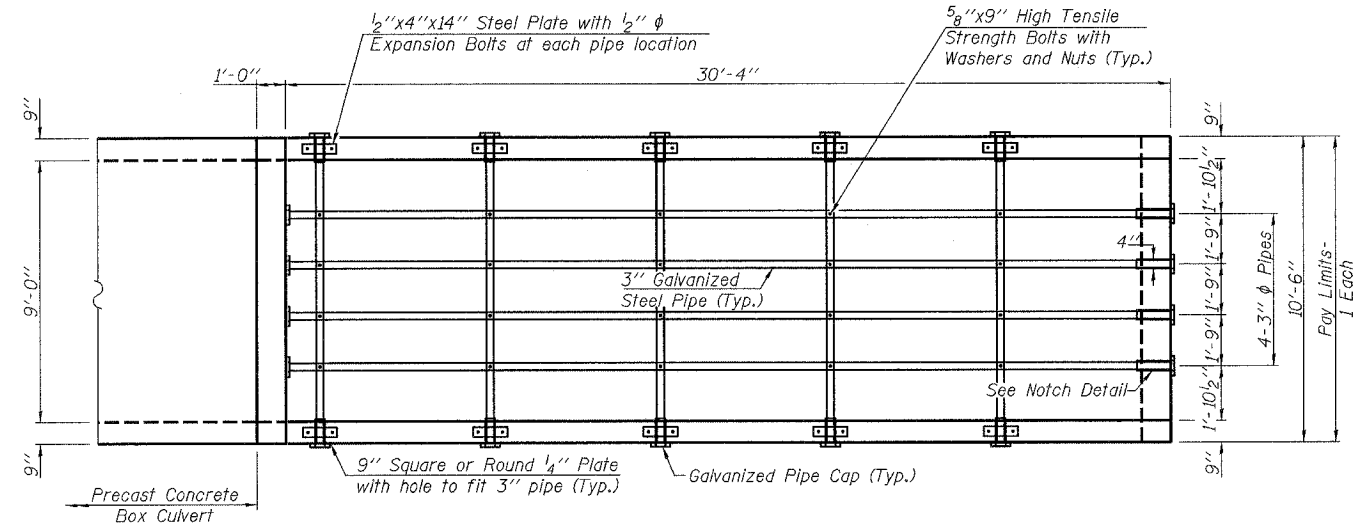
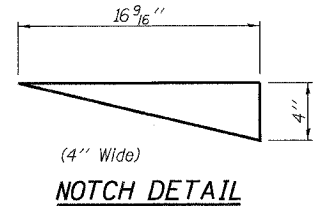


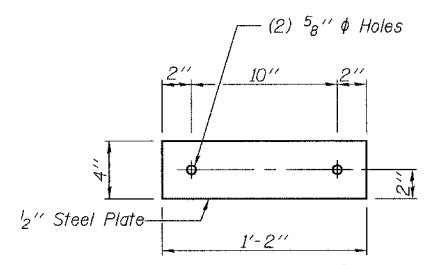
F.A.P. RTE.	SECTION	COUNTY	TOTAL SHEETS	SHEET NO.
•	••	STEPHENSON	174	79
STA.		TO STA.		
FED. ROAD DIST. NO.		ILLINOIS	FED. AID PROJECT	
•FAP 505 (IL 75)		CONTRACT NO. 64C32		
•110RS-1, 111RS-3				



PLAN VIEW



NOTCH DETAIL



TOP ANCHOR PLATE

BILL OF MATERIAL

DESCRIPTION	UNIT	QTY.
Box Culvert End Section, Culvert No. 7	Each	6
Box Culvert End Section, Culvert No. 8	Each	6
Name Plate	Each	2

GENERAL NOTES:

Slope flow line of the extension at the same rate as the flow line of the box.

Bolts, Nuts, and Washers shall be in accordance with Article 1006.08 of the standard specification and shall be galvanized.

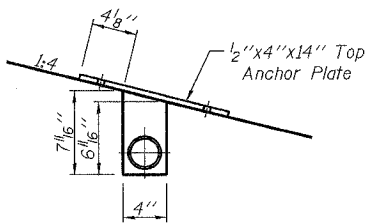
The contract unit price "Each" for Box Culvert End Section, Culvert No. 7 & 8 shall include the Galvanized Pipe, Bolts, Nuts, Washers, and Steel Plates, and all applicable work according to Section 540 of the Standard Specifications.

Steel Pipes shall conform to A.S.T.M. A-53 (Type E or S) Grade B, Schedule 40.
Contractor shall field verify pipe length.

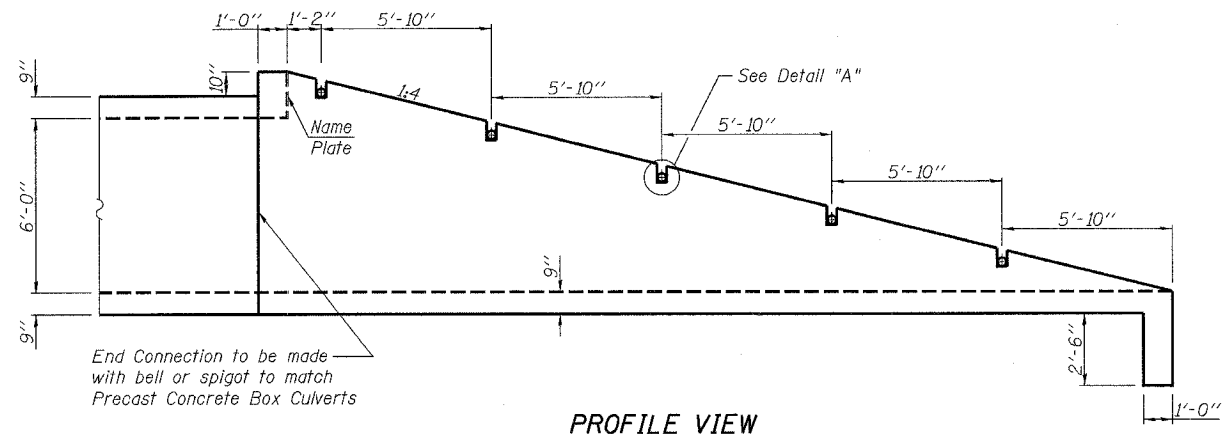
Steel Plates shall conform to AASHTO M 270 and shall be galvanized conforming to AASHTO M-111.

See Plan and Profile Sheet 34 & 36 of 174 for more information.

The Contractor shall submit four copies of the required shop drawings for review and approval to the Bureau of Bridges and Structures, 2300 South Dirksen Parkway, Springfield, IL, 62764. After approval of initial submittal, the contractor shall submit one set of shop drawings to the Engineer of Materials, 126 East Ash Street, Springfield, IL, 62706, and eight (8) sets of shop drawings, to be distributed to:
District 2 District Engineer (1)
Fabricator (1)
Contractor (1)
Resident Engineer (2)
District Bureau of Materials (2)



DETAIL "A"



PROFILE VIEW

STATION 10332+15.63
BUILT 2007 BY
STATE OF ILLINOIS
F.A.P. RT. 505 SEC 110RS-1, 111RS-3
LOADING HS20
STR. NO. 089-2020

STATION 10357+11.85
BUILT 2007 BY
STATE OF ILLINOIS
F.A.P. RT. 505 SEC 110RS-1, 111RS-3
LOADING HS20
STR. NO. 089-2019

NAME PLATE

See Std. 515001
Located on the SE Headwall.

NAME PLATE

See Std. 515001
Located on the SE Headwall.

BOX CULVERT END SECTIONS ARE TO BE PRECAST. CONTRACTOR HAS THE OPTION OF USING CAST-IN-PLACE END SECTIONS. FOR EITHER TYPE OF END SECTION, THE CONTRACTOR IS REQUIRED TO SUBMIT DESIGN CALCULATIONS TO BE APPROVED BY THE ENGINEER. THE DESIGN CALCULATIONS SHALL BE PREPARED AND SEALED BY AN ILLINOIS LICENSED STRUCTURAL ENGINEER. IF THE CONTRACTOR ELECTS TO USE CAST-IN-PLACE END SECTIONS, NO ADJUSTMENTS IN COSTS OF THE END SECTIONS WILL BE ALLOWED.

rjngroup
Excellence through Ownership
200 West Front Street
Wheaton, IL 60187

ILLINOIS DEPARTMENT OF TRANSPORTATION
F.A.P. ROUTE 505 (IL 75)
ILLINOIS ROUTE 75
BOX CULVERT END SECTION, CULVERT NO. 7 & 8
RT./LT. STA. 10332+15.63, 10357+11.85
STRUCTURE NO. 089-2020, 089-2019

DATE: 12/6/06
DRAWN BY JMT
CHECKED BY WJV