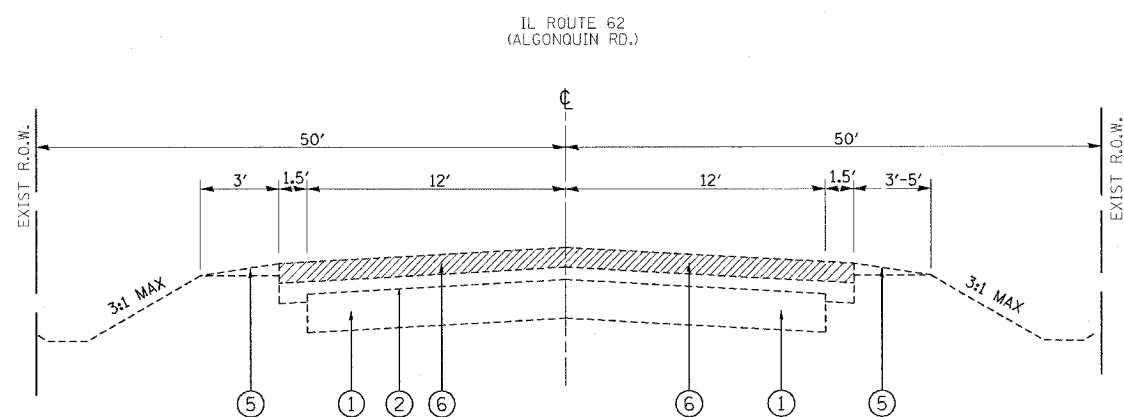
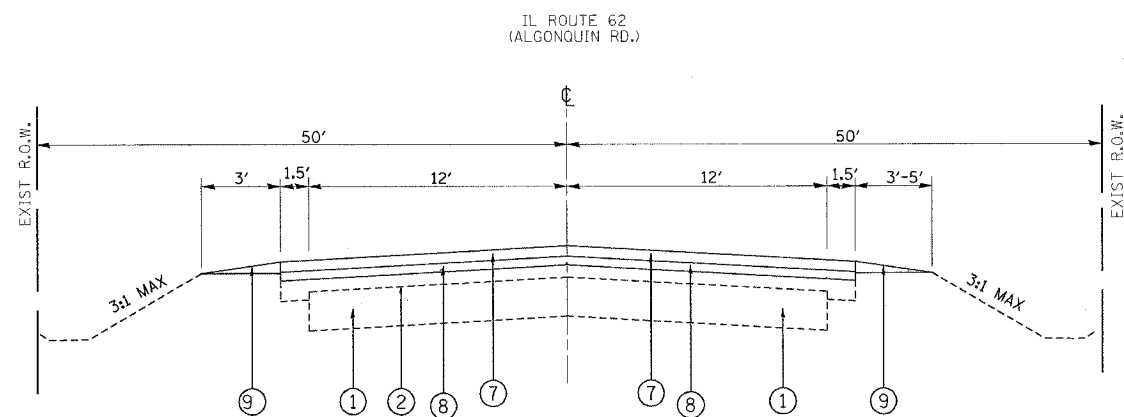


F.A.P. RTE.	SECTION	COUNTY	TOTAL SHEETS	SHEET NO.
339	116 RS-4	COOK	15	5
STA.		TO STA.		
FED. ROAD DIST. NO.	ILLINOIS	FED. AID PROJECT		
CONTRACT # 62668				



NOTE: P.C.C CONCRETE SHOULDER
STA. 520+00 TO STA. 527+00
NORTH SIDE ONLY

TYPICAL EXISTING CROSS SECTION
ILLINOIS ROUTE 62 (ALGONQUIN ROAD)
STA. 495+30 TO STA. 527+00



NOTE: P.C.C CONCRETE SHOULDER
STA. 520+00 TO STA. 527+00
NORTH SIDE ONLY

TYPICAL PROPOSED CROSS SECTION
ILLINOIS ROUTE 62 (ALGONQUIN ROAD)
STA. 495+30 TO STA. 527+00

LEGEND

- | | |
|---|---|
| ① EXISTING P.C.C. PAVEMENT, 10" | ⑦ PROPOSED POLYMERIZED HOT-MIX ASPHALT SURFACE COURSE, MIX "F", N90, 1 3/4" |
| ② EXISTING HOT-MIX ASPHALT SURFACE, ± 4 1/2" | ⑧ PROPOSED POLYMERIZED LEVELING BINDER (MACHINE METHOD), IL-4.75, N50, 3/4" |
| ②A EXISTING HMA AFTER MILLING, 2" | ⑨ PROPOSED AGGREGATE WEDGE SHOULDER, TYPE B |
| ③ EXISTING HOT-MIX ASPHALT SHOULDERS | |
| ④ EXISTING COMBINATION CONCRETE CURB & GUTTER, TYPE B-6.24 | |
| ⑤ EXISTING AGGREGATE SHOULDER | |
| ⑥ PROPOSED HOT-MIX ASPHALT CONCRETE SURFACE REMOVAL, 2 1/2" | |

REVISIONS		ILLINOIS DEPARTMENT OF TRANSPORTATION
NAME	DATE	
		TYPICAL CROSS SECTIONS ILLINOIS ROUTE 62 (ALGONQUIN RD.) FROM EASTINGS WAY TO PENNY ROAD
SCALE: VERT. NOT TO SCALE HORIZ. DATE 5/4/2007		DRAWN BY CHECKED BY