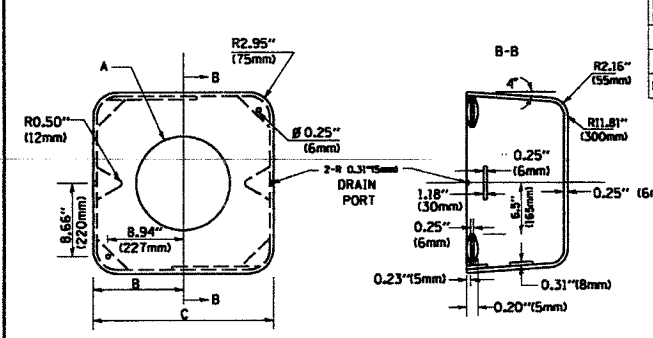
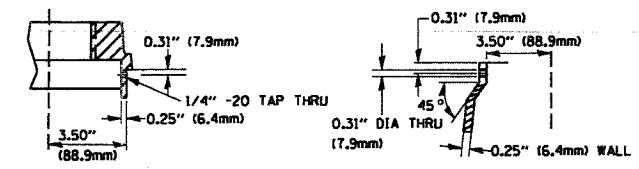
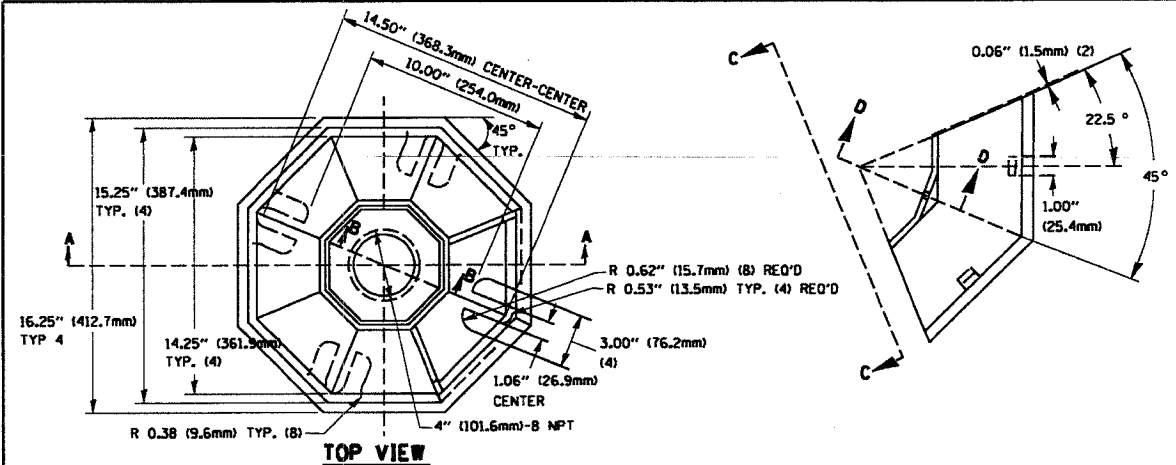


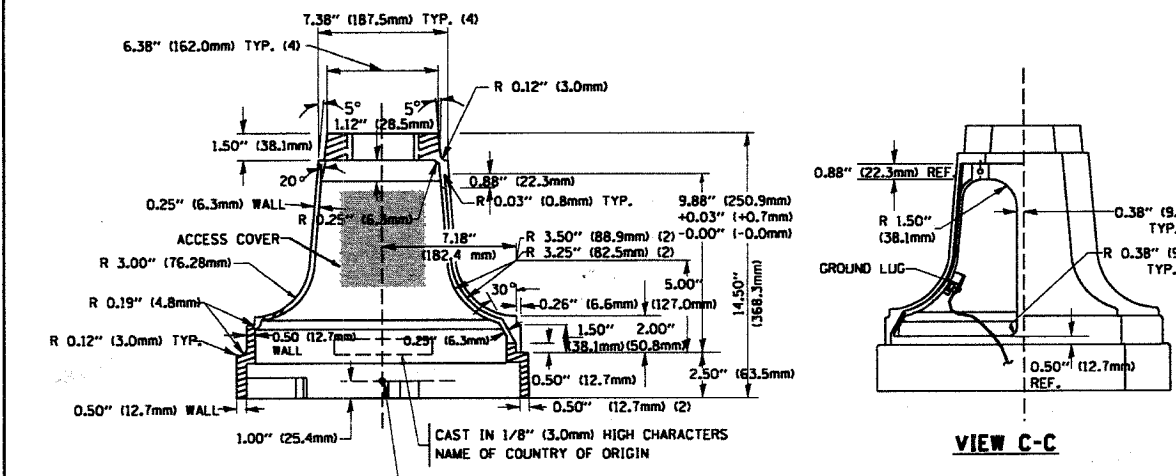
F.A.P. RTE.	SECTION	COUNTY	TOTAL SHEETS	SHEET NO.
353	42 RS	COOK	31	30
STA.	TO STA.			
FED. ROAD DIST. NO.	ILLINOIS FED. AID PROJECT			



TYPE	A	B	C	HEIGHT	WEIGHT
I	# 10.125\" (257.7mm)	9.5\" (241mm)	19\" (483mm)	12\" (300mm)	24kg
II	# 11.125\" (283.3mm)	10.75\" (273mm)	21.5\" (546mm)	12\" (300mm)	26kg

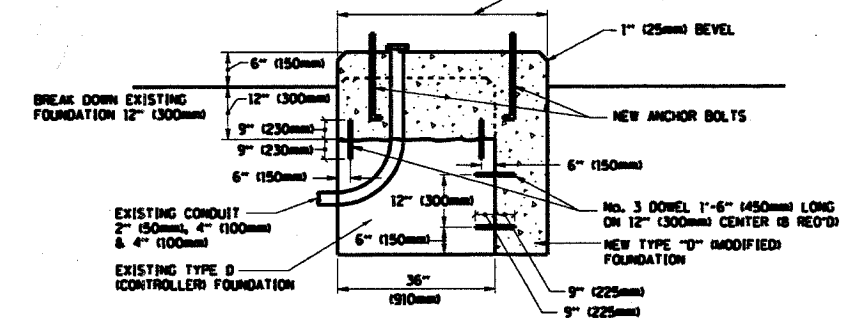
MATERIAL:  
 - ASTM A48 CLASS 30 GREY IRON  
 - ASTM A123 HOT DIPPED GALVANIZED

SHROUD DETAIL



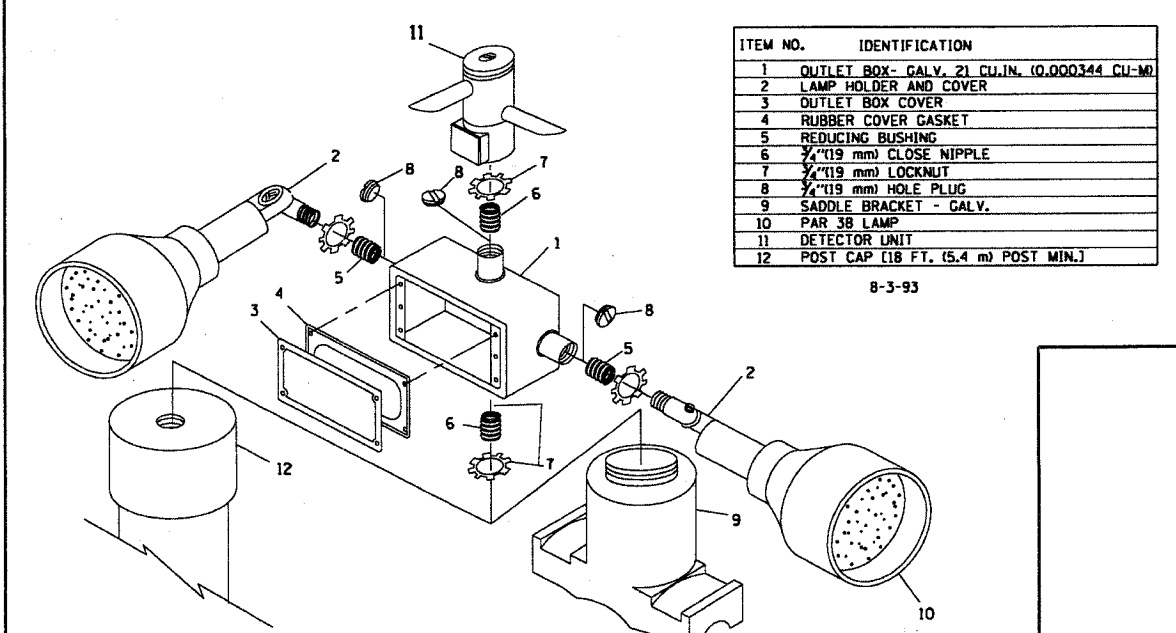
TRAFFIC SIGNAL POST - MOUNTING BASE - TYPE A

NOTE:  
 SUPPORT EXISTING CABINET AND CONTROL EQUIPMENT ABOVE FOUNDATION TO KEEP TRAFFIC SIGNAL FUNCTIONING WHILE FOUNDATION MODIFICATION WORK IS PROCEEDING.



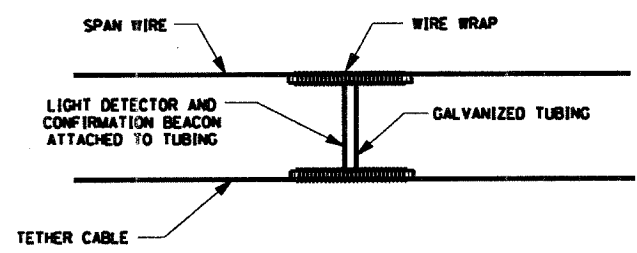
MODIFY EXISTING TYPE "D" FOUNDATION

(NOT TO SCALE)



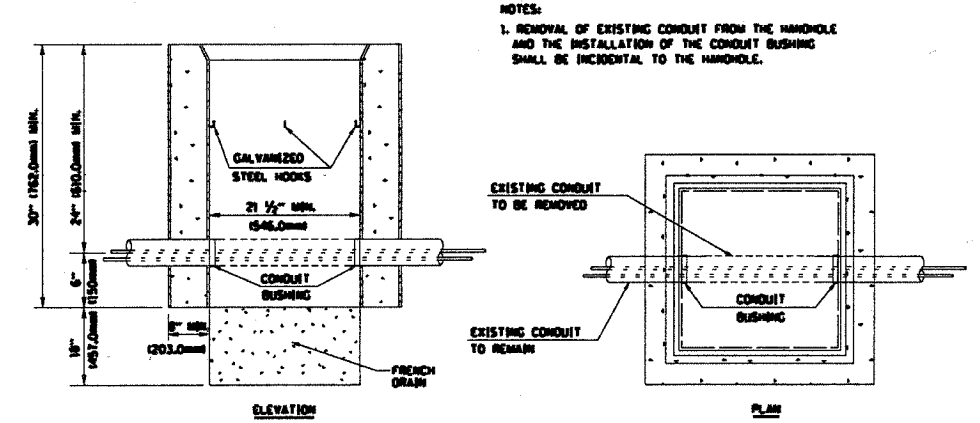
ITEM NO.	IDENTIFICATION
1	QUILLET BOX - GALV. 21 CU. IN. (0.000344 CU-M)
2	LAMP HOLDER AND COVER
3	OUTLET BOX COVER
4	RUBBER COVER GASKET
5	REDUCING BUSHING
6	3/4\" (19 mm) CLOSE NIPPLE
7	3/4\" (19 mm) LOCKNUT
8	3/4\" (19 mm) HOLE PLUG
9	SADDLE BRACKET - GALV.
10	PAR 38 LAMP
11	DETECTOR UNIT
12	POST CAP [18 FT. (5.4 m) POST MIN.]

NOTES:  
 1. ALL ELECTRICAL ITEMS, EXCEPT ITEMS \*2 AND \*11 SHALL BE ALUMINUM OR GALVANIZED  
 2. ITEM \*1- OZ/GEDNEY FSX-1-50 OR EQUIVALENT  
 ITEM \*2- MULBERRY CON-O-SHADE LAMP SHIELD OR EQUIVALENT  
 ITEM \*9- "BAND-IT" SADDLE BRACKET OR EQUIVALENT  
 3. WHEN POST MOUNTING IS SPECIFIED, ITEM \*9 SHALL NOT BE REQUIRED. THE DETECTION UNIT SHALL BE MOUNTED DIRECTLY ON TOP OF THE CAP BY DRILLING AND TAPPING A 3/4\" (19 mm) HOLE WITH PIPE THREADS. THE POST CAP SHALL EITHER BE SCREWED TO THE TOP OF THE POST OR A MINIMUM OF 3 TIGHTENING SCREWS SHALL BE REQUIRED ON EACH CAP.



LIGHT DETECTOR AND CONFIRMATION BEACON MOUNTING FOR TEMPORARY TRAFFIC SIGNALS

(NOT TO SCALE)



DETAIL HANDBOLES TO INTERCEPT EXISTING CONDUIT

REVISIONS	NAME	DATE
1	BUREAU OF TRAFFIC	5/30/00
2	BUREAU OF TRAFFIC	3/15/01
3	BUREAU OF TRAFFIC	11/12/01
4	BUREAU OF TRAFFIC	1-01-02

ILLINOIS DEPARTMENT OF TRANSPORTATION

DISTRICT ONE STANDARD TRAFFIC SIGNAL DESIGN DETAILS

SCALE: NONE  
 DATE: 12/27/2006

DRAWN BY: RWP  
 DESIGNED BY: DAD  
 CHECKED BY: DAZ  
 SHEET 4 OF 4

TS05

REVISION DATE: 01/01/02

12/27/2006  
 C:\Users\qureshiya and Basingh\workspace\signal\stdesign  
 FILE NAME: TRAFFIC SIGNAL DESIGN / JH  
 USER NAME: qureshiya