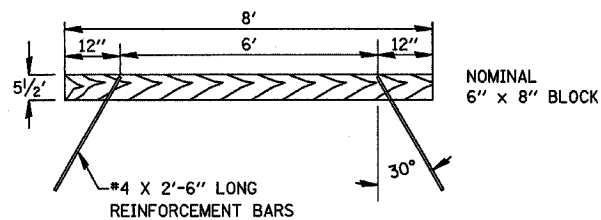
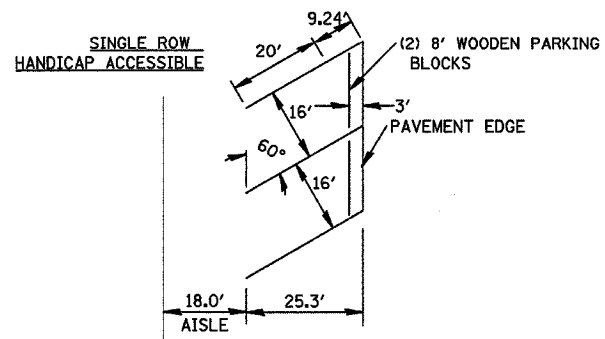
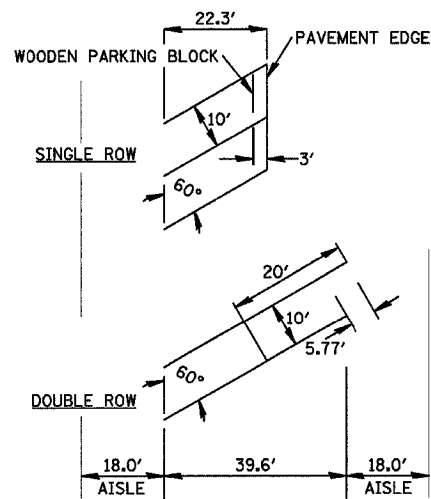


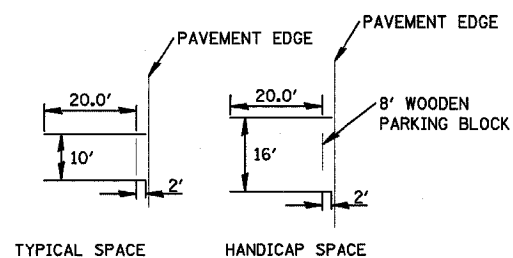
F.A. RTE.	SECTION	COUNTY	TOTAL SHEETS	SHEET NO.
	PARK ROADS	LASALLE	38	19
STA.	TO STA.			
FED. ROAD DIST. NO.	ILLINOIS	FED. AID PROJECT		
IDNR PROJECT NO. 02-03-020				



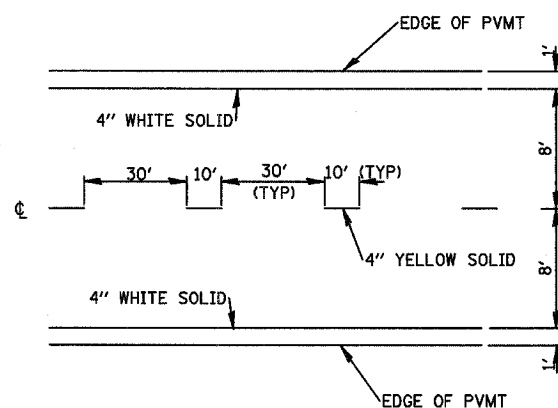
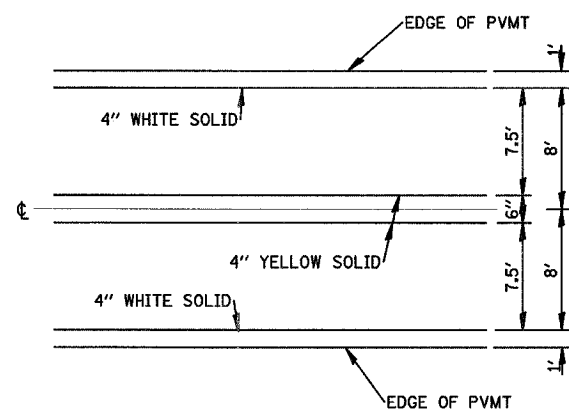
WOODEN PARKING BLOCK DETAILS



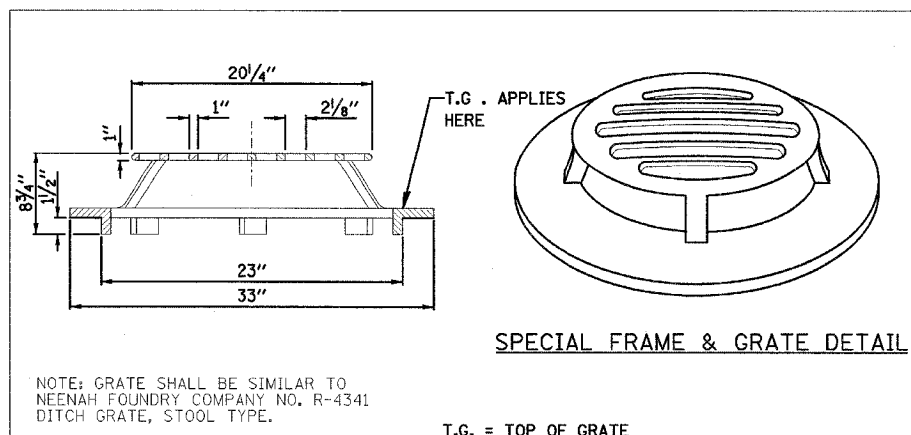
60° CAR PARKING SPACES



90° CAR PARKING SPACE

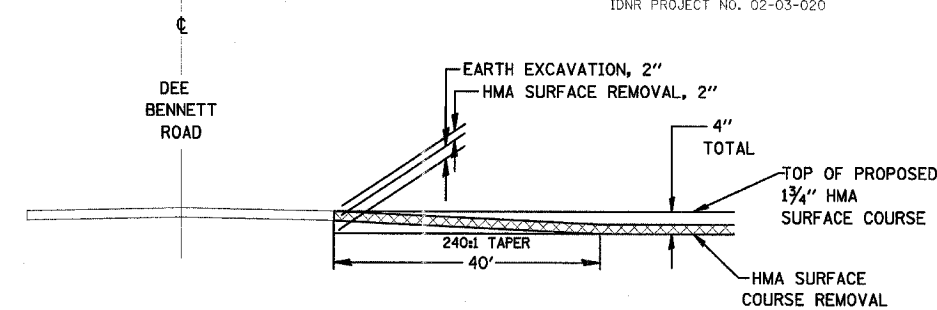


PAVEMENT STRIPING DETAIL



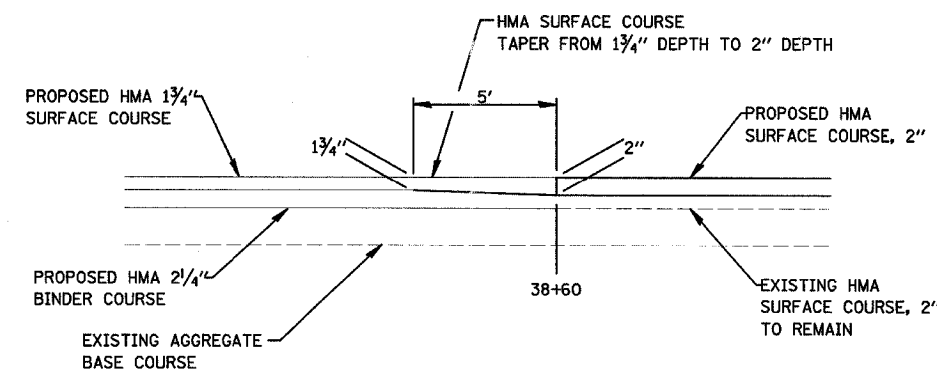
NOTE: GRATE SHALL BE SIMILAR TO NEENAH FOUNDRY COMPANY NO. R-4341 DITCH GRATE, STOOL TYPE.

T.G. = TOP OF GRATE



HOT-MIX ASPHALT SURFACE TAPER

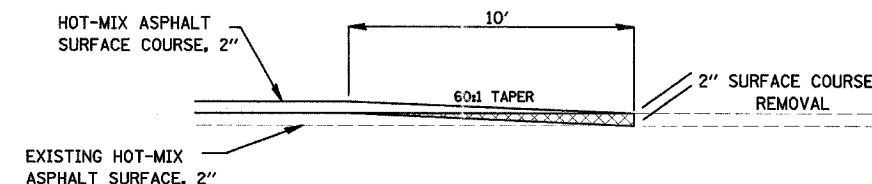
STA 10+13.62



HOT-MIX ASPHALT SURFACE TAPER

STA 38+60

NOTE: HMA SURFACE MIX MAY BE SUBSTITUTED FOR THE HMA BINDER COURSE OVER THE FIVE FOOT TAPER FROM 38+55 TO 38+60 IF NECESSARY.



HOT-MIX ASPHALT SURFACE REMOVAL - BUTT JOINT DETAIL

STA 53+47.43 TO STA 53+57.43 & SUPERINTENDENT'S HOUSE DRIVE

REVISIONS	
NAME	DATE

ILLINOIS DEPARTMENT OF TRANSPORTATION

IDOT / IDNR
BUFFALO ROCK STATE PARK
MISCELLANEOUS DETAILS

SCALE: VERT.
HORIZ.
DATE: 12/12/06

DRAWN BY: JJ
CHECKED BY: PJM