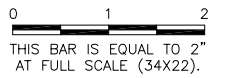


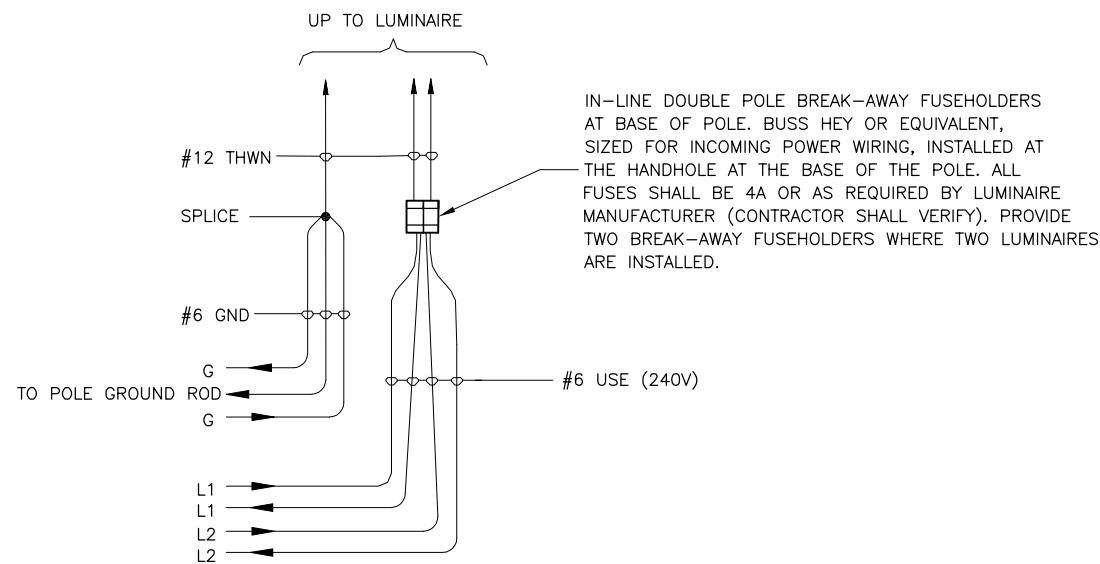
**UN052**

REVISIONS		
NUMBER	BY	DATE



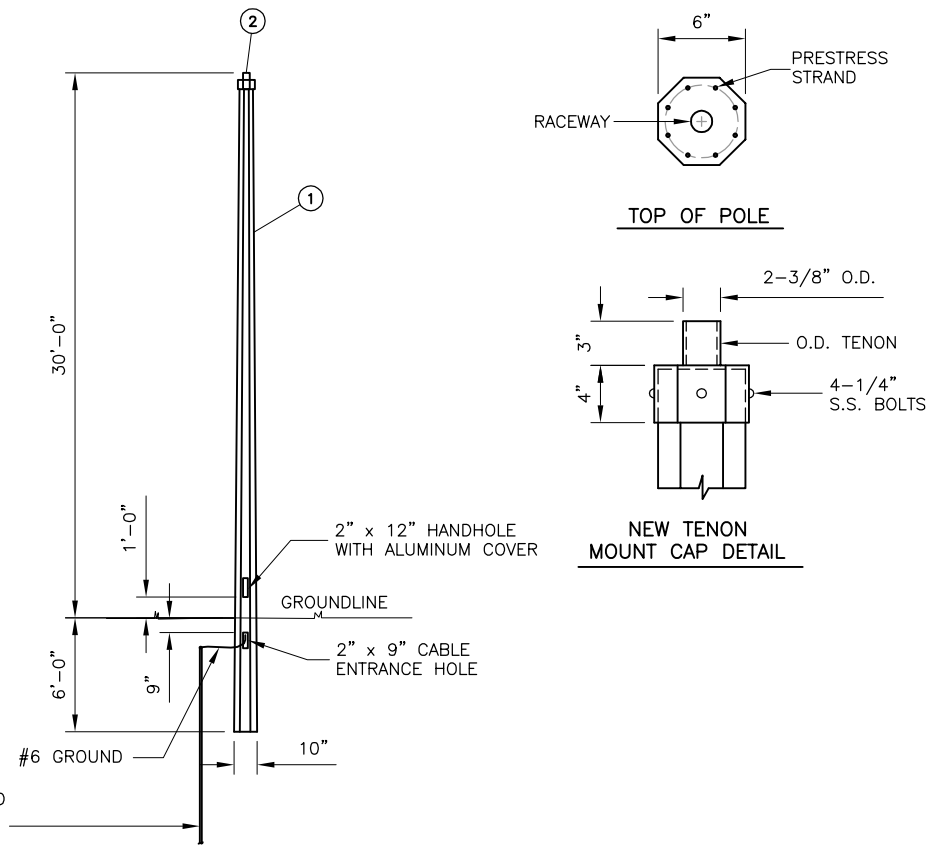
NEW LUMINAIRE SCHEDULE

NEW LUMINAIRE SHALL BE HOLOPHANE SOMERSET SMST-250HP-MT-BZ-CL-R, 250W HIGH PRESSURE SODIUM, MULTI-TAP BALLAST, BRONZE, TYPE III DISTRIBUTION, WITH TWIST-ON PHOTOCELL, LAMP, AND SINGLE OR 90° POLE-TOP TENON ADAPTER BRACKET FOR USE WITH POLE-TOP TENON SUPPLIED (CONTRACTOR SHALL COORDINATE), OR EQUIVALENT.



FIXTURE WIRING DETAIL  
(SINGLE LUMINAIRE SHOWN)

IN-LINE DOUBLE POLE BREAK-AWAY FUSEHOLDERS AT BASE OF POLE. BUSS HEY OR EQUIVALENT, SIZED FOR INCOMING POWER WIRING, INSTALLED AT THE HANDHOLE AT THE BASE OF THE POLE. ALL FUSES SHALL BE 4A OR AS REQUIRED BY LUMINAIRE MANUFACTURER (CONTRACTOR SHALL VERIFY). PROVIDE TWO BREAK-AWAY FUSEHOLDERS WHERE TWO LUMINAIRES ARE INSTALLED.



3/4" DIA. x 10' L COPPERCLAD GROUND ROD. CONNECTION TO GROUND WIRE VIA EXOTHERMIC WELD

EXISTING CONCRETE POLE NOTES

- ① EXISTING CONCRETE POLE TO BE RELOCATED AND REUSED. POLE WAS ORIGINALLY SUPPLIED BY GREAT LAKES CONCRETE PRODUCTS, MENOMONEE FALLS, WI. CONTRACTOR SHALL INSPECT POLE FOR DAMAGE. CONTRACTOR SHALL THOROUGHLY CLEAN POLE WITH AN ACID WASH. IF EXISTING POLE HAS A RECEPTACLE, CONTRACTOR SHALL REMOVE RECEPTACLE AND REPLACE WITH AN ALUMINUM COVER. INSTALL CONCRETE POLE IN NEW LOCATION AS DETAILED.
- ② PROVIDE A NEW TENON MOUNT POLE CAP AS DETAILED.

CONCRETE POLE DETAIL

UNIVERSITY OF ILLINOIS  
WILLARD AIRPORT  
SAVOY, ILLINOIS

RELOCATE ENTRANCE ROADWAY &  
REHABILITATE OLD TERMINAL PARKING LOT  
LIGHTING DETAILS

© Copyright CMT, Inc.



DESIGN BY:	WDP
DRAWN BY:	CMT
CHECKED BY:	KLB
APPROVED BY:	CET
DATE:	4/19/2013
JOB No:	11059-05-00

IL PROJ. NO. CMI-4269