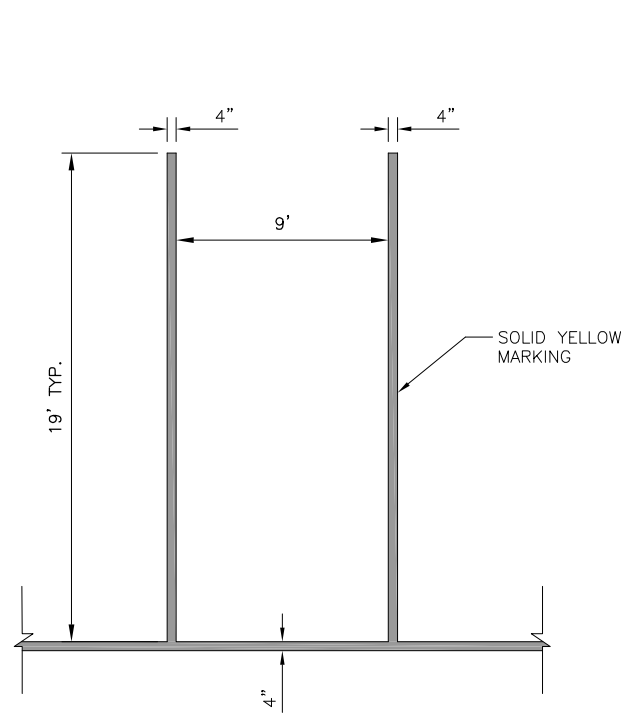


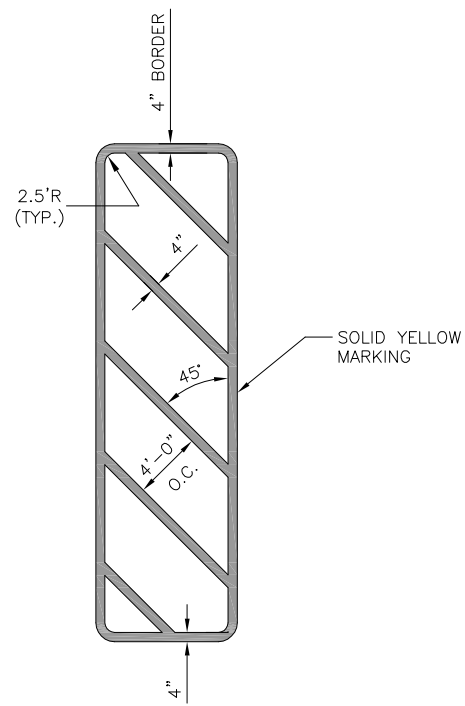
UN052

REVISIONS		
NUMBER	BY	DATE

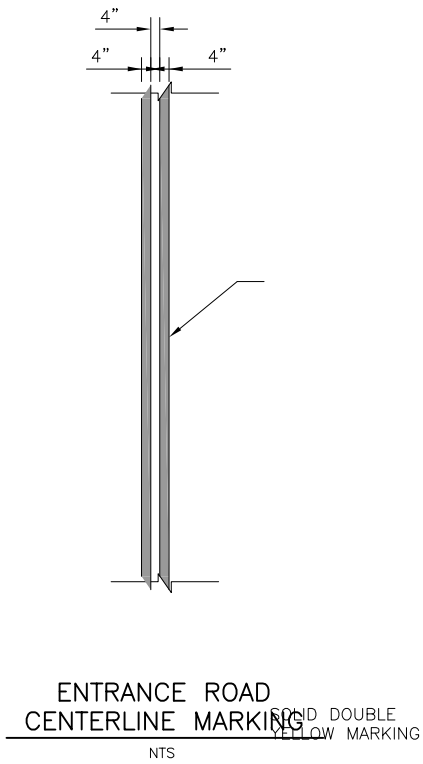
0 1 2
 THIS BAR IS EQUAL TO 2"
 AT FULL SCALE (34X22).



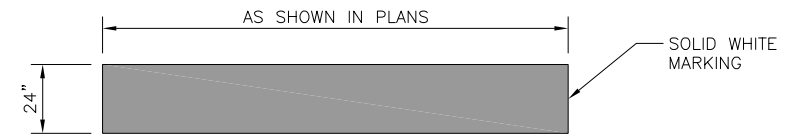
PARKING STALL
 NTS



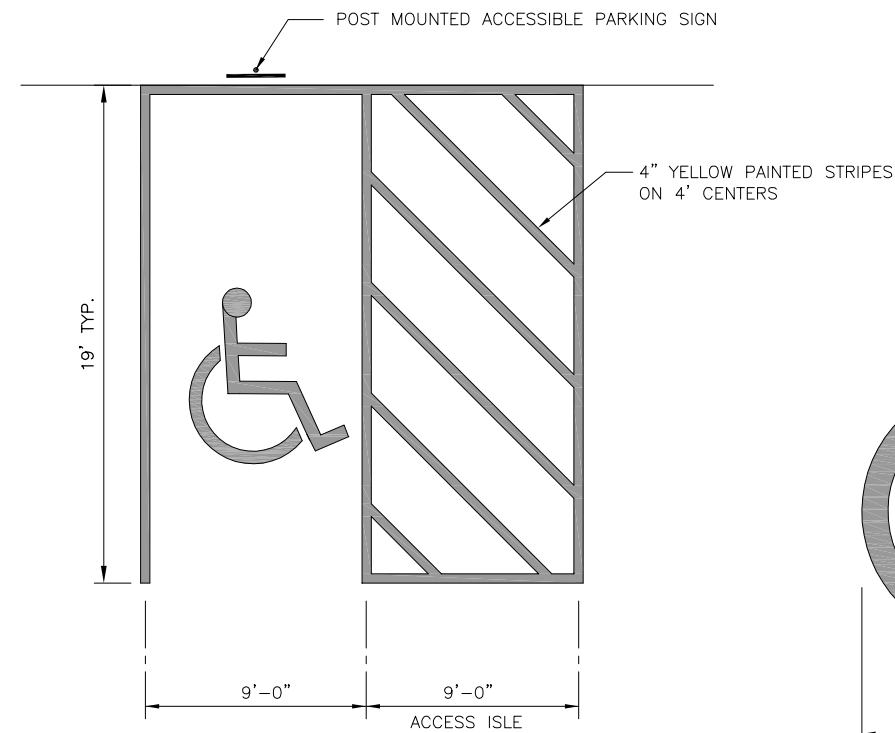
TYPICAL CHEVERON MARKING
 NTS



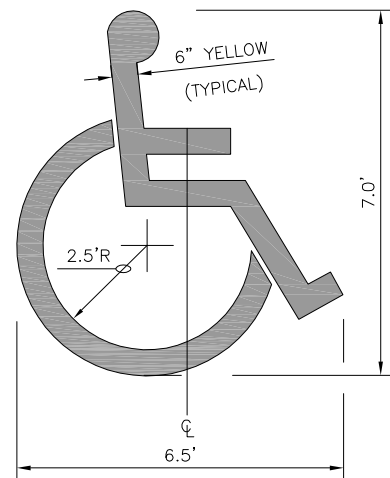
ENTRANCE ROAD CENTERLINE MARKING
 NTS



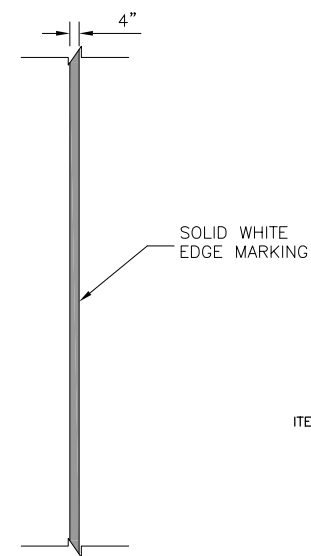
STOP BAR
 NTS



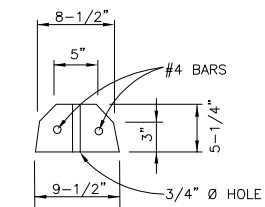
CAR ACCESSIBLE
 NTS



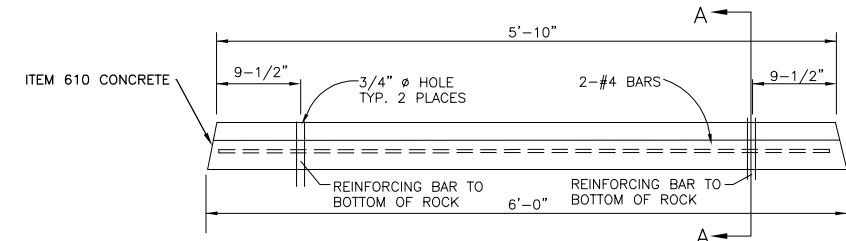
ACCESSIBLE PARKING SYMBOL
 LOCATE AT EDGE OF PARKING SPACE



DRIVING ROAD EDGELINE MARKING
 NTS



SECTION A-A



PARKING BLOCK DETAIL
 N.T.S.

UNIVERSITY OF ILLINOIS
 WILLARD AIRPORT
 SAVOY, ILLINOIS

RELOCATE ENTRANCE ROADWAY &
 REHABILITATE OLD TERMINAL PARKING LOT
MARKING DETAILS 1

© Copyright CMT, Inc.
CMT
 CRAWFORD, MURPHY & TILLY, INC.
 CONSULTING ENGINEERS
 License No. 184-000613

DESIGN BY:	CBG
DRAWN BY:	CMT
CHECKED BY:	KLB
APPROVED BY:	CET
DATE:	4/19/2013
JOB No:	11059-05-00

IL PROJ. NO. CMI-4269

K:\Chemping\p\1105905_Draw\Sheets

ADA PARKING STALL DETAIL
 NTS