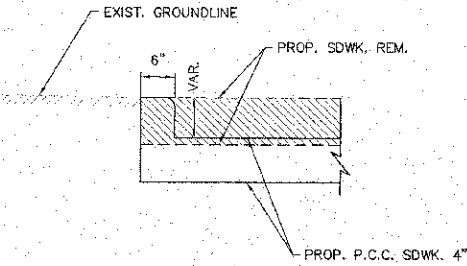
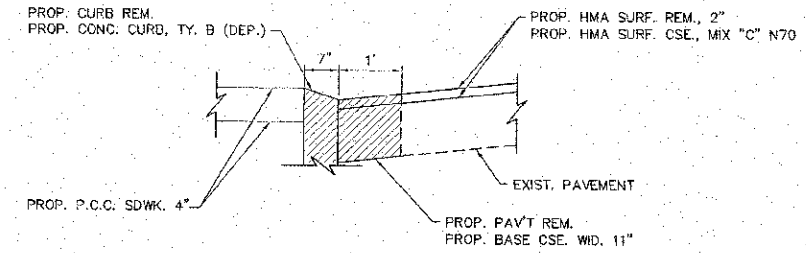


F.A.U. RTE.	SECTION	COUNTY	TOTAL SHEETS	SHEET NO.
8971	10-00047-02-RS	MADISON	45	31

CONTRACT NO. 97526



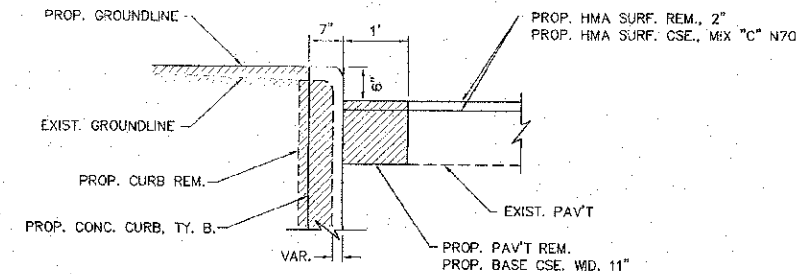
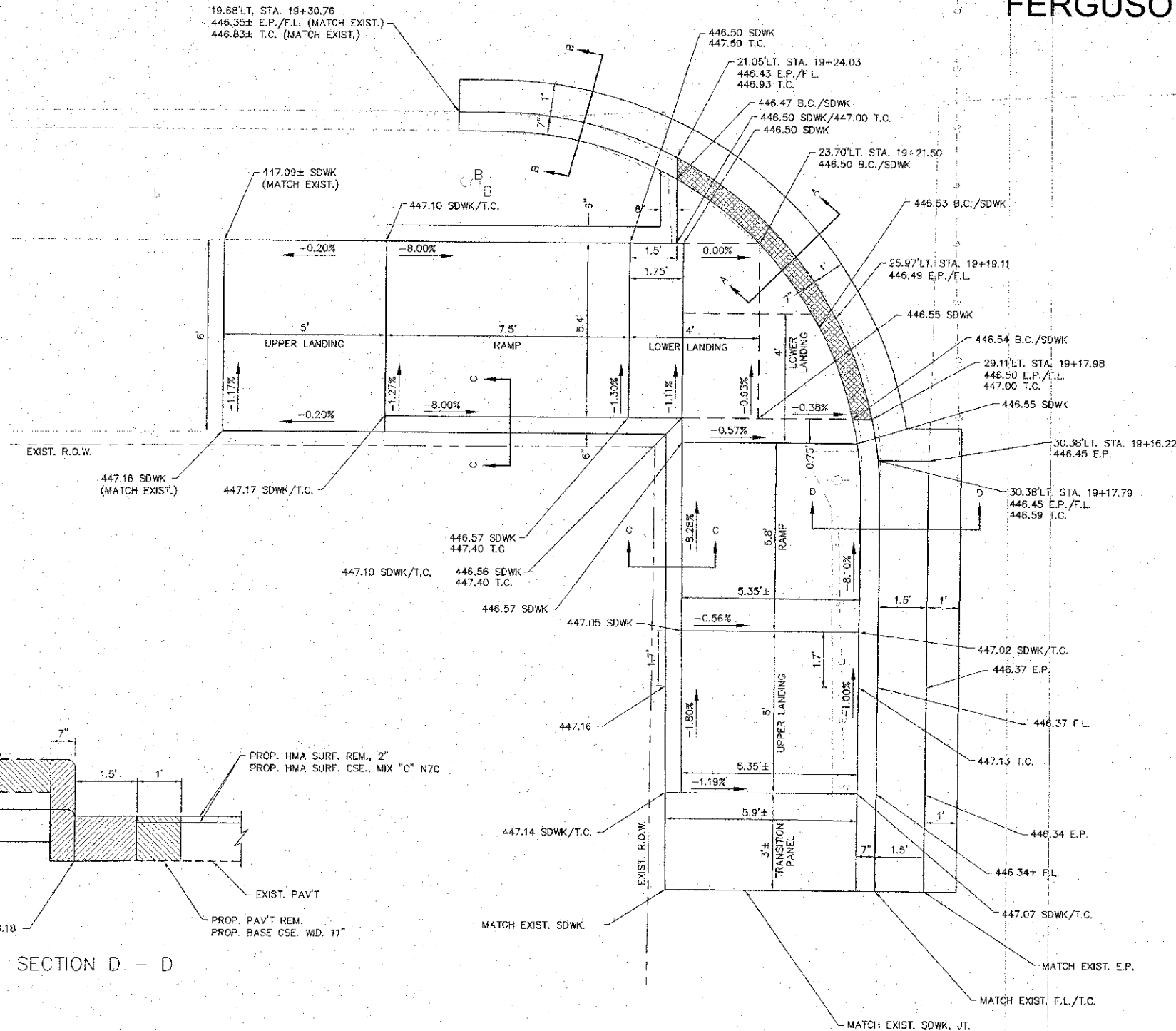
SECTION C - C



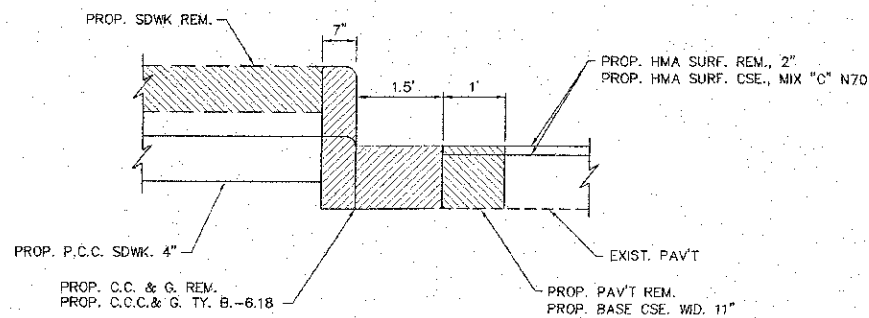
SECTION A - A

FERGUSON AVE.

4TH ST.



SECTION B - B



SECTION D - D

SEE PLAN SHEET FOR LOCATION OF DETECTABLE WARNING

4TH ST. SW. QUAD

REVISIONS

SMS ENGINEERS
 Sheppard, Morgan & Schwaab, Inc.
 CONSULTING ENGINEERS AND LAND SURVEYORS
 215 Market Street, P.O. Box E, Ames, IL 62302, 618-462-3735, E-mail: ms@smsengineers.com
 10 Central Industrial Drive, Suite 3, Geneva, IL 60136, 618-242-2770, E-mail: ms@smsengineers.com
 DESIGN FIRM # 184-000992

CITY OF WOOD RIVER, ILLINOIS
 FERGUSON AVENUE RESURFACING
 SECTION 10-00047-02-RS
 INTERSECTION DETAILS

DWG. NO. 10-00047-02-RS-31
 REF. Dwg. No. 488044
 DES. BY: LDA
 DWN. BY: CAD
 CHK. BY: LDA
 DATE: APRIL, 2013

S:\land Projects\WOOD RIVER PS (488044)\FERGUSON-HC 2\DWG\DWG\INT DET FERGUSON 4TH.DWG, 4/15/2013 8:59:47 AM, jman, 12