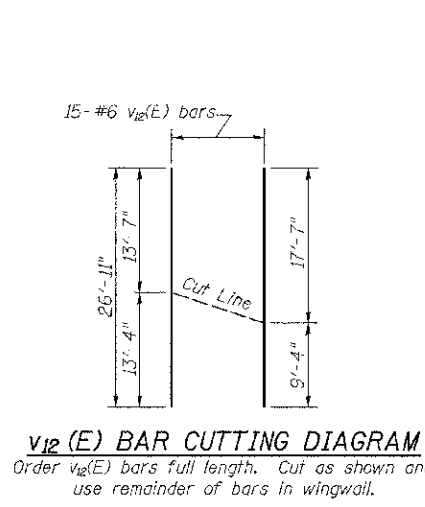
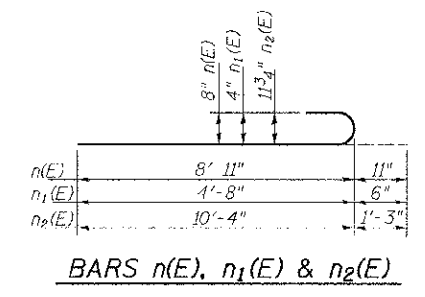
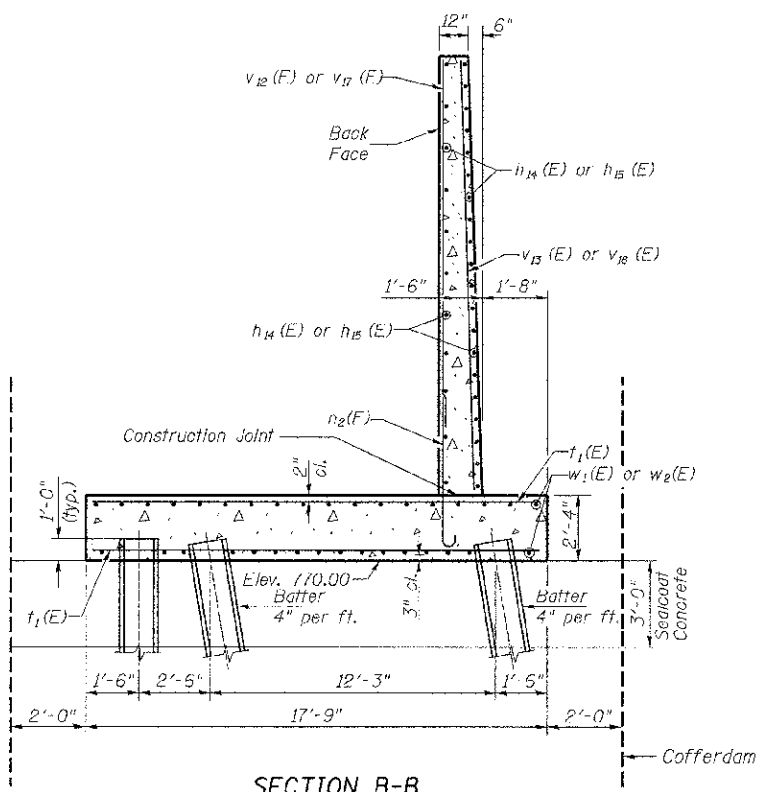
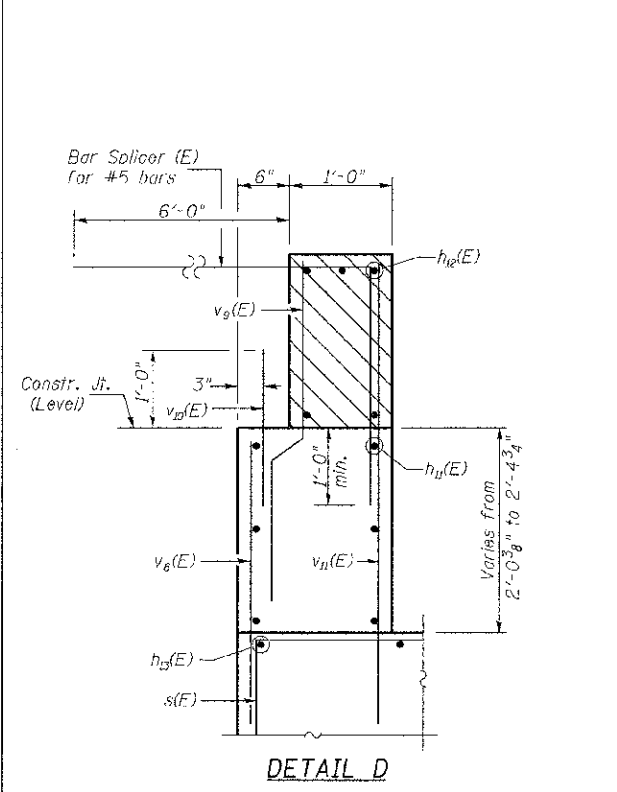
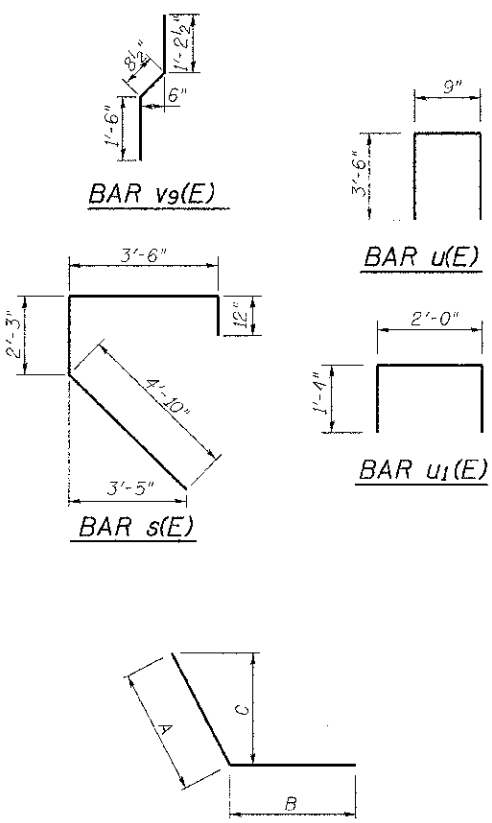
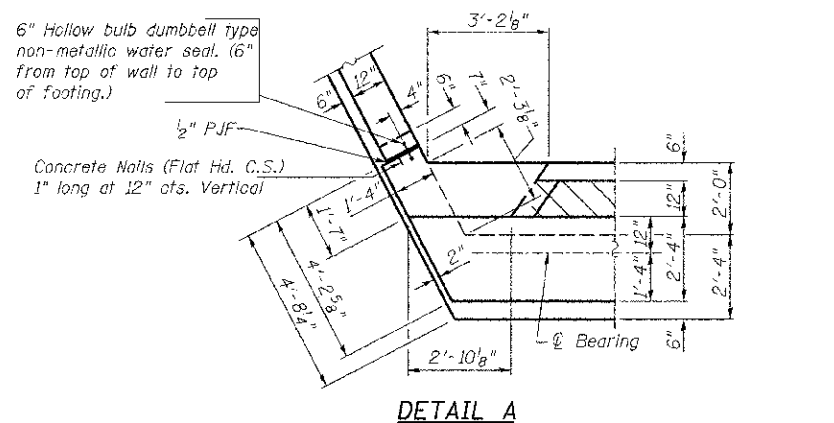
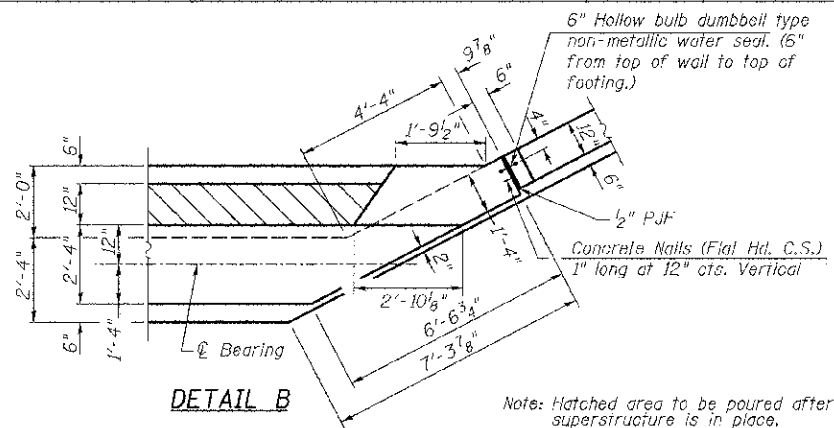
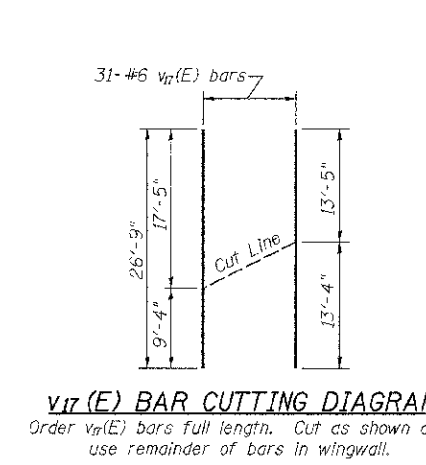


SECTION A-A
(Horizontal dimensions are at right angles to abutment)



BAR	A	B	C
h2(E)	6"	2'-6"	5 1/2"
h5(E)	2'-10"	2'-3"	2'-6"
h7(E)	3'-4"	2'-3"	1'-5 1/2"
h10(E)	8"	2'-10"	3 3/4"
h16(E)	1'-3"	5'-1"	1'-2"
h17(E)	1'-3"	4'-10"	7"
h18(E)	1'-1"	4'-9"	11 1/2"
h19(E)	1'-9"	3'-4"	9 1/2"
w4(F)	2'-6"	2'-6"	2'-2 3/4"
w5(E)	2'-6"	2'-6"	1'-2"

BARS h2(E), h6(E), h7(E), h10(E), h16(E), h17(E), h18(E), h19(E), w4(E) & w5(E)



**SOUTH ABUTMENT
BILL OF MATERIAL**

BAR	NO.	SIZE	LENGTH	SHAPE
h(E)	6	#4	2'-9"	—
h1(E)	6	#4	5'-0"	—
h2(E)	3	#4	3'-0"	—
h3(E)	32	#5	23'-2"	—
h4(E)	12	#4	23'-2"	—
h5(E)	2	#4	7'-7"	—
h6(E)	22	#4	5'-1"	—
h7(E)	22	#4	5'-7"	—
h8(E)	16	#4	3'-11"	—
h9(E)	16	#4	6'-4"	—
h10(E)	3	#4	3'-6"	—
h11(E)	12	#4	26'-2"	—
h12(E)	10	#6	23'-8"	—
h13(E)	16	#4	26'-11"	—
h14(E)	32	#4	16'-2"	—
h15(E)	32	#4	32'-8"	—
h16(E)	5	#4	6'-4"	—
h17(E)	5	#4	6'-1"	—
h18(E)	2	#4	5'-10"	—
h19(E)	2	#4	5'-1"	—
n(E)	66	#8	9'-10"	—
n1(E)	45	#4	5'-2"	—
n2(E)	92	#9	11'-7"	—
s(E)	49	#6	11'-7"	—
t(E)	107	#8	19'-11"	—
t1(F)	174	#7	17'-5"	—
u(E)	1	#5	7'-9"	—
u1(E)	9	#4	4'-8"	—
v8(E)	45	#5	4'-8"	—
v9(E)	45	#5	3'-5"	—
v10(E)	45	#5	2'-6"	—
v11(E)	45	#5	5'-11"	—
v12(E)	15	#6	26'-11"	—
v13(E)	5	#4	19'-0"	—
v14(E)	11	#6	14'-11"	—
v15(E)	55	#8	12'-6"	—
v16(E)	58	#4	14'-11"	—
v17(E)	31	#6	26'-9"	—
v18(E)	8	#4	19'-0"	—
w(E)	84	#5	23'-5"	—
w1(F)	36	#5	22'-3"	—
w2(E)	72	#5	21'-11"	—
w4(E)	2	#5	5'-0"	—
w5(E)	2	#5	5'-0"	—
Concrete Structures	CU YD		267.4	
Reinforcement Bars, Epoxy Coated	POUND		31,510	
Cofferdam Excavation	CU YD		1,455	
Cofferdam (Type 2) (Location 1)	EACH		1	
Furnishing Steel Piles HP10x42	FOOT		1,624	
Driving Steel Piles	FOOT		1,624	
Test Pile Steel HP10x42	EACH		1	
Pile Shoes	EACH		59	
Concrete Scaler	SQ FT		243	
Seal Coat Concrete	CU YD		244	

① See Special Provisions